

---

Message Implementation Guideline

# EDEKA IFTMIN RCV

based on

## **IFTMIN**

Instruction message

**EANCOM® 2002 S4**

Version: D01B  
Variant: 2.1  
Issue date: 21.06.2021  
Author: EDEKA DIGITAL GmbH



## Table of Contents

---

Message Structure .....	3
Branching Diagram.....	4
Segments.....	7
Sample Message .....	41

St = Status

EDIFACT: M=Muss/Mandatory, C=Conditional

Anwendung: R=Erforderlich/Required, O=Optional, D=Abhängig von/Dependent, A=Empfohlen/Advised, N=Nicht benutzt/Not used,

X=Nicht benutzt/Not used

## Message Structure Chart

---

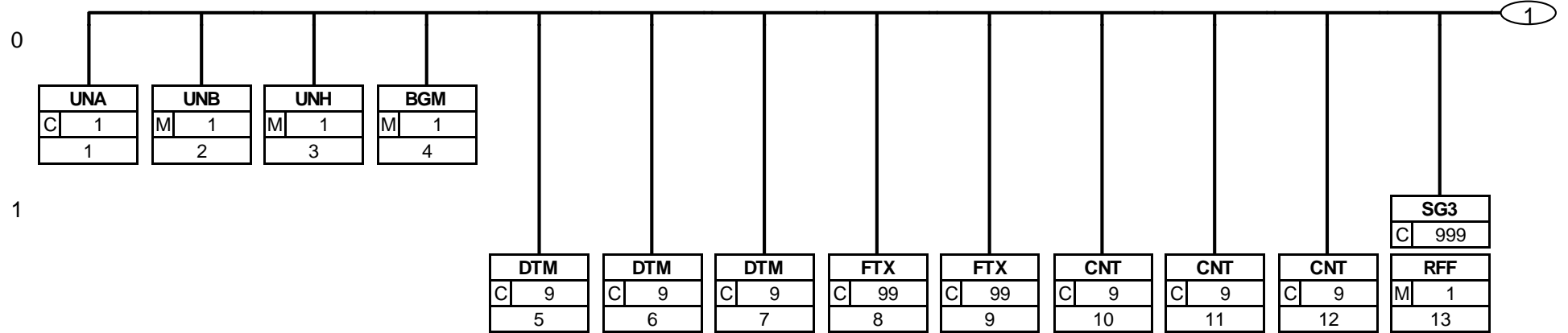
UNA	1	C	1	- Service string advice
UNB	2	M	1	- Interchange header
UNH	3	M	1	- Message header
BGM	4	M	1	- Beginning of message
DTM	5	C	9	- Document-/Message date
DTM	6	C	9	- Requested date of delivery
DTM	7	C	9	- Pick-up/collection date/time of cargo
FTX	8	C	99	- Freetext (transport information)
FTX	9	C	99	- Freetext (product information)
CNT	10	C	9	- Total gross weight
CNT	11	C	9	- Number of pallet places
CNT	12	C	9	- total number of packages
SG3		C	999	- Reference number
RFF	13	M	1	- number of the paper delivery note
SG3		C	999	- Reference number
RFF	14	M	1	- order number
SG3		C	999	- Reference number
RFF	15	M	1	- Freight forwarder's reference number
SG3		C	999	- Reference number
RFF	16	M	1	- Reference number of the consignor
SG3		C	999	- Reference number
RFF	17	M	1	- suppliers order number
SG3		C	999	- Reference number
RFF	18	M	1	- External consolidation reference number
SG11		M	99	- Informations about the supplier
NAD	19	M	1	- Supplier identification
SG11		M	99	- Informations about the consignee
NAD	20	M	1	- Consignee identification
SG15		C	9	- RFF
RFF	21	M	1	- Additional reference
SG11		M	99	- Identifikation der Beteiligten (Spediteur)
NAD	22	M	1	- Name and address of the freight forwarder.
SG11		M	99	- Identifikation der Beteiligten
NAD	23	M	1	- Identification of the participants (sent by)
SG18		C	999	- Positionsteil
GID	24	M	1	- Shipment line details
SG20		C	99	- MEA
MEA	25	M	1	- Transport storage spaces
SG23		C	999	- PCI-GIN
PCI	26	M	1	- Package identification
GIN	27	C	10	- Shipping unit number (NVE / SSCC)
SG32		C	99	- DGS
DGS	28	M	1	- Shipment item contains dangerous goods
SG37		C	999	- EQD-EQN
EQD	29	M	1	- Classification of the units
EQN	30	C	1	- Number of the exchangeable units
UNT	31	M	1	- Message trailer
UNZ	32	M	1	- Interchange trailer

St = Status

EDIFACT: M=Mandatory, C=Conditional

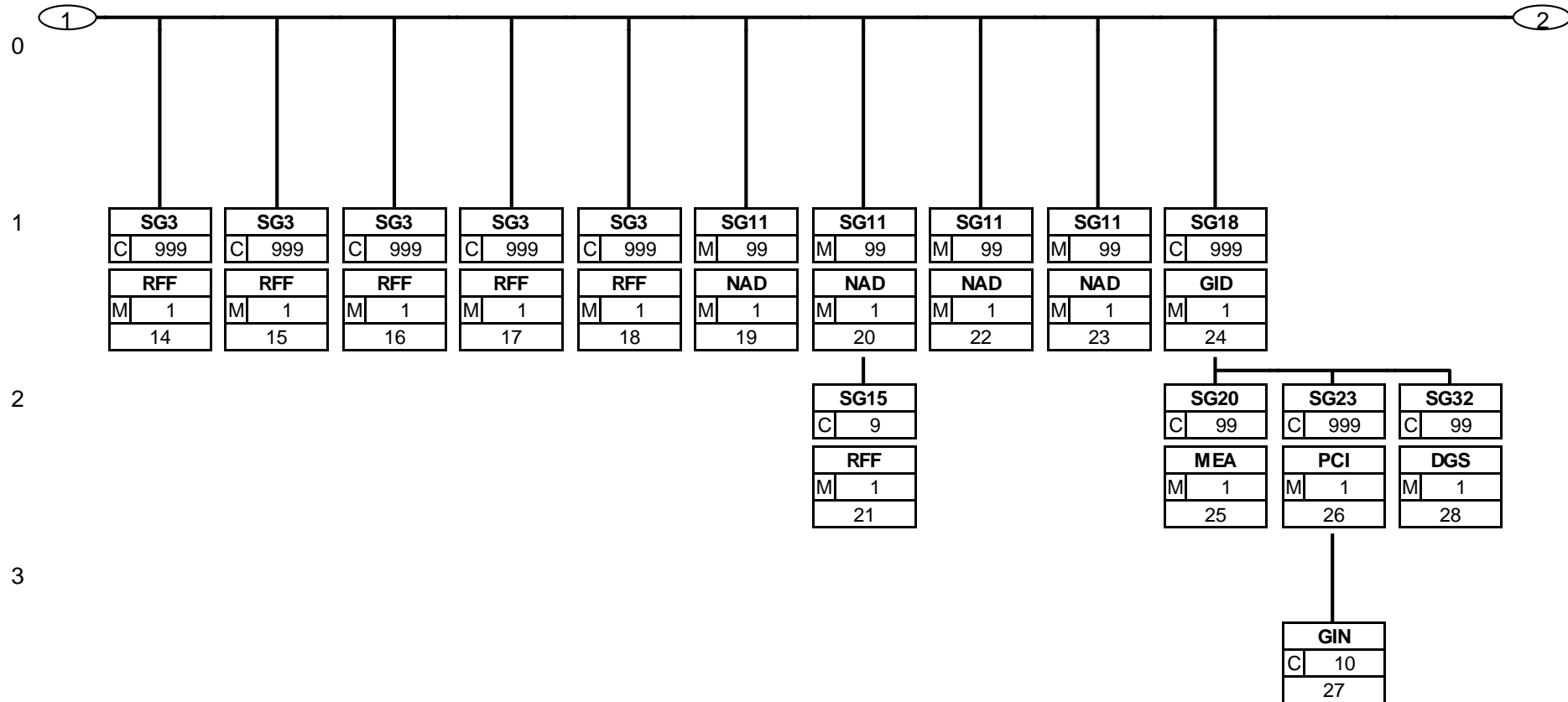
User specific: R=Required, O=Optional, D=Dependent, A=Advised, N=Not used, X=Not used

**Branching Diagram**



Status: M=Mandatory, C=Conditional, R=Required, O=Optional, D=Dependent, A=Advised, N=Not used, X=Not used

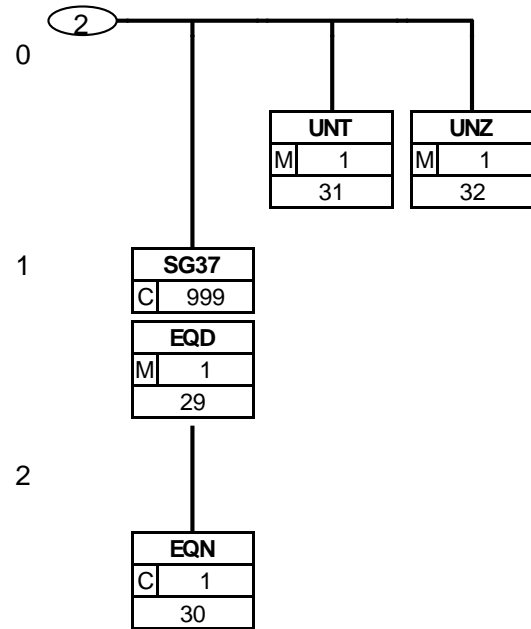
## Branching Diagram



Status: M=Mandatory, C=Conditional, R=Required, O=Optional, D=Dependent, A=Advised, N=Not used, X=Not used

**Branching Diagram**

---



Status: M=Mandatory, C=Conditional, R=Required, O=Optional, D=Dependent, A=Advised, N=Not used, X=Not used

**Segment Details**

Segment number: 1

EDIFACT						EAN	
Tag	Name	St/Format	St	*	Usage		
UNA 1	Component data element separator	M an1	<b>M</b>		default value: ":"		
UNA2	Data element separator	M an1	<b>M</b>		default value: "+"		
UNA3	Decimal mark	M an1	<b>M</b>		default value: "."		
UNA4	Release character	M an1	<b>M</b>		default value: "?"		
UNA5	Repetition separator	M an1	<b>M</b>		default value : space		
UNA6	Segment terminator	M an1	<b>M</b>		default value : "' "		

Segment Notes:

Example: **UNA:+.? '**

\* = Restricted Codes

St = Status

EDIFACT: M=Mandatory, C=Conditional

User specific: R=Required, O=Optional, D=Dependent,

A=Advised, N=Not used, X=Not used

## Segment Details

Segment number: 2

UNB - M 1 - Interchange header					
Function:					
This segment is used to envelope the interchange, as well as to identify the receiver and the sender of the interchange.					
EDIFACT			EAN		
Tag	Name	St/Format	St	*	Usage
S001	SYNTAX IDENTIFIER	M	M		
0001	Syntax identifier	M a4	M		UNOC = UNECE level C
0002	Syntax version number	M an1	M		3 = Version 3
S002	INTERCHANGE SENDER	M	M		
0004	Interchange sender identification	M an..35	M		GLN of sender
0007	Identification code qualifier	C an..4	C		14 = GS1
S003	INTERCHANGE RECIPIENT	M	M		
0010	Interchange recipient identification	M an..35	M		GLN of recipient
0007	Identification code qualifier	C an..4	C		14 = GS1
S004	DATE AND TIME OF PREPARATION	M	M		
0017	Date	M n8	M		preparation date, format YYMMDD
0019	Time	M n4	M		preparation time, format HHMM
0020	Interchange control reference	M an..14	M		Explicit reference to identify the interchange: Assigned by sender.
S005	RECIPIENT REFERENCE/ PASSWORD DETAILS	C	N		
0022	Recipient reference/password	M an..14	N		
0026	Application reference	C an..14	N		
0029	Processing priority code	C a1	N		
0031	Acknowledgement request	C n1	N		
0032	Interchange agreement identifier	C an..35	N		
0035	Test indicator	C n1	C		1 = Interchange is a test
Segment Notes:					
Example: UNB+UNOC:3+4311501990018:14+4311501992548:14+210319:1321+4774+++++1'					

\* = Restricted Codes

St = Status

EDIFACT: M=Mandatory, C=Conditional

User specific: R=Required, O=Optional, D=Dependent,

A=Advised, N=Not used, X=Not used



**Segment Details**

Segment number: 3

UNH - M 1 - Message header					
Function: This segment is used to head, identify and specify a message.					
EDIFACT			EAN		
Tag	Name	St/Format	St	*	Usage
0062	Message reference number	M an..14	<b>M</b>		Explicit message reference number of sender. Sequential number of messages for data interchange via EDI. Identical to element 0062 at the UNT segment. Assigned by sender.
S009	MESSAGE IDENTIFIER	M	<b>M</b>		
0065	Message type	M an..6	<b>M</b>		IFTMIN = <b>Instruction message</b>
0052	Message version number	M an..3	<b>M</b>		D = <b>Draft version/UN/EDIFACT Directory</b>
0054	Message release number	M an..3	<b>M</b>		01B = <b>Release 2001 - B</b>
0051	Controlling agency, coded	M an..3	<b>M</b>		UN = <b>UNCEFACT</b>
0057	Association assigned code	C an..6	<b>C</b>		EAN004 = <b>GS1 version control number (GS1 Code)</b>
Segment Notes: Example: <b>UNH+1+IFTMIN:D:01B:UN:EAN004'</b>					

\* = Restricted Codes

St = Status

EDIFACT: M=Mandatory, C=Conditional

User specific: R=Required, O=Optional, D=Dependent,

A=Advised, N=Not used, X=Not used

**Segment Details**

Segment number: 4

BGM - M 1 - Beginning of message					
Function:					
This segment is used to indicate the type and function of a message and to transmit the identifying number.					
EDIFACT			EAN		
Tag	Name	St/Format	St	*	Usage
C002	DOCUMENT/MESSAGE NAME	C	C		
1001	Document name code	C an..3	C		610 = Forwarding instructions
1131	Code list identification code	C an..17	N		
3055	Code list responsible agency code	C an..3	N		
1000	Document name	C an..35	C		609 = transport avis
C106	DOCUMENT/MESSAGE IDENTIFICATION	C	C		
1004	Document identifier	C an..35	C		document-/message number
1225	Message function code	C an..3	C		9 = Original
Segment Notes:					
Example: <b>BGM+610+2007016191844+9'</b> <b>BGM+610:::609+2007016191844+9'</b>					

\* = Restricted Codes

St = Status

EDIFACT: M=Mandatory, C=Conditional

User specific: R=Required, O=Optional, D=Dependent,

A=Advised, N=Not used, X=Not used

**Segment Details**

Segment number: 5

<b>DTM</b> - C 9 - Document-/Messagedate					
Function: This segment is used to specify the document-/message date.					
EDIFACT			EAN		
Tag	Name	St/Format	St	*	Usage
C507	DATE/TIME/PERIOD	M	<b>M</b>		
2005	Date or time or period function code qualifier	M an..3	<b>M</b>		137 = Document/message date/time
2380	Date or time or period value	C an..35	<b>C</b>		document-/message date
2379	Date or time or period format code	C an..3	<b>C</b>		102 = CCYYMMDD
Segment Notes: Example: <b>DTM+137:20210319:102'</b>					

\* = Restricted Codes

St = Status

EDIFACT: M=Mandatory, C=Conditional

User specific: R=Required, O=Optional, D=Dependent,

A=Advised, N=Not used, X=Not used

**Segment Details**

Segment number: 6

<b>DTM</b> - C 9 - Requested date of delivery					
Function: This segment is used to specify the requested date of delivery.					
EDIFACT			EAN		
Tag	Name	St/Format	St	*	Usage
C507	DATE/TIME/PERIOD	M	<b>M</b>		
2005	Date or time or period function code qualifier	M an..3	<b>M</b>		2 = <b>Delivery date/time, requested</b>
2380	Date or time or period value	C an..35	<b>C</b>		Requested date of delivery
2379	Date or time or period format code	C an..3	<b>C</b>		102 = <b>CCYYMMDD</b>
Segment Notes: Example: <b>DTM+2:20210319:102'</b>					

\* = Restricted Codes

St = Status

EDIFACT: M=Mandatory, C=Conditional

User specific: R=Required, O=Optional, D=Dependent,

A=Advised, N=Not used, X=Not used

**Segment Details**

Segment number: 7

DTM - C 9 - Pick-up/collection date/time of cargo					
Function: To specify date, and/or time, or period.					
EDIFACT			EAN		
Tag	Name	St/Format	St	*	Usage
C507	DATE/TIME/PERIOD	M	<b>M</b>		
2005	Date or time or period function code qualifier	M an..3	<b>M</b>		200 = Pick-up/collection date/time of cargo
2380	Date or time or period value	C an..35	<b>C</b>		Pick-up/collection date/time of cargo
2379	Date or time or period format code	C an..3	<b>C</b>		102 = CCYYMMDD
Segment Notes: Example: <b>DTM+200:20210318:102'</b>					

\* = Restricted Codes

St = Status

EDIFACT: M=Mandatory, C=Conditional

User specific: R=Required, O=Optional, D=Dependent,

A=Advised, N=Not used, X=Not used

**Segment Details**

Segment number: 8

FTX - C 99 - Freetext (transportinformation)					
Function: To provide free form or coded text information.					
EDIFACT			EAN		
Tag	Name	St/Format	St	*	Usage
4451	Text subject code qualifier	M an..3	M		TRA = <b>Transportation information</b>
4453	Free text function code	C an..3	N		
C107	TEXT REFERENCE	C	N		
4441	Free text value code	M an..17	N		
C108	TEXT LITERAL	C	C		
4440	Free text value	M an..512	M		TIEFKUEHL ULTRAFRISCHE FRISCHE TEMPERATURGEFUEHRT UMGEBUNGSTEMPERATUR

Segment Notes:

There are five different temperature categories:  
TIEFKUEHL = -20 to -18 °C  
ULTRAFRISCHE = 0 to 2 °C  
FRISCHE = 2,1 to 7 °C  
TEMPERATURGEFUEHRT = 7,1 to 18°C  
UMGEBUNGSTEMPERATUR > 18 °C

If your goods need to be transported between 5 and 10 °C, the temperature category will be defined using the lower temperature (here: 5 = FRISCHE and not TEMPERATURGEFUEHRT). Depending on your product range, information on drugstore products must be provided in the segment FTX+PRD.

Example: **FTX+TRA+++TIEFKUEHL'**  
**FTX+TRA+++ULTRAFRISCHE'**  
**FTX+TRA+++FRISCHE'**  
**FTX+TRA+++TEMPERATURGEFUEHRT'**  
**FTX+TRA+++UMGEBUNGSTEMPERATUR'**

\* = Restricted Codes

St = Status

EDIFACT: M=Mandatory, C=Conditional

User specific: R=Required, O=Optional, D=Dependent,

A=Advised, N=Not used, X=Not used

**Segment Details**

Segment number: 9

FTX - C 99 - Freetext (product information)					
Function: To provide free form or coded text information.					
EDIFACT			EAN		
Tag	Name	St/Format	St	*	Usage
4451	Text subject code qualifier	M an..3	<b>M</b>		PRD = <b>Product information</b>
4453	Free text function code	C an..3	<b>N</b>		
C107	TEXT REFERENCE	C	<b>N</b>		
4441	Free text value code	M an..17	<b>N</b>		
C108	TEXT LITERAL	C	<b>C</b>		
4440	Free text value	M an..512	<b>M</b>		DROGERIE
Segment Notes: This segment must be filled when transporting drugstore products. Example: <b>FTX+PRD+++DROGERIE</b>					

\* = Restricted Codes

St = Status

EDIFACT: M=Mandatory, C=Conditional

User specific: R=Required, O=Optional, D=Dependent,

A=Advised, N=Not used, X=Not used

**Segment Details**

Segment number: 10

EDIFACT		EAN		
Tag	Name	St/Format	St	* Usage
<b>CNT - C 9 - Total gross weight</b>				
Function: This segment is used to provide message control information such as the total gross weight of the consignment (including the weight of the container)				
C270	CONTROL	M	<b>M</b>	
6069	Control total type code qualifier	M an..3	<b>M</b>	7 = Total gross weight
6066	Control total value	M n..18	<b>M</b>	
6411	Measurement unit code	C an..3	<b>C</b>	KGM = kilogram
Segment Notes: Example: <b>CNT+7:334.83:KGM'</b>				

\* = Restricted Codes

St = Status

EDIFACT: M=Mandatory, C=Conditional

User specific: R=Required, O=Optional, D=Dependent,

A=Advised, N=Not used, X=Not used



**Segment Details**

Segment number: 11

<b>CNT</b> - C 9 - Number of pallet places					
Function: Number of pallet places - The number of pallet places needed to store or transport pallets (can be stacked)					
EDIFACT			EAN		
Tag	Name	St/Format	St	*	Usage
C270	CONTROL	M	<b>M</b>		
6069	Control total type code qualifier	M an..3	<b>M</b>		NPP = <b>Number of pallet places</b>
6066	Control total value	M n..18	<b>M</b>		
Segment Notes: Example: <b>CNT+NPP:1.00'</b>					

\* = Restricted Codes

St = Status

EDIFACT: M=Mandatory, C=Conditional

User specific: R=Required, O=Optional, D=Dependent,

A=Advised, N=Not used, X=Not used

**Segment Details**

Segment number: 12

<b>CNT</b> - C 9 - total number of packages					
Function: This segment is used to specify the total number of packages					
EDIFACT			EAN		
Tag	Name	St/Format	St	*	Usage
C270	CONTROL	M	<b>M</b>		
6069	Control total type code qualifier	M an..3	<b>M</b>		11 = Total number of packages
6066	Control total value	M n..18	<b>M</b>		
6411	Measurement unit code	C an..3	<b>C</b>		PCE = Piece (GS1 Code)
Segment Notes: Example: <b>CNT+11:14:PCE</b>					

\* = Restricted Codes

St = Status

EDIFACT: M=Mandatory, C=Conditional

User specific: R=Required, O=Optional, D=Dependent,

A=Advised, N=Not used, X=Not used

**Segment Details**

Segment number: 13

<b>SG3</b>	- C	999 - Reference number	
<b>RFF</b>	- M	1 - number of the paper delivery note	
Function: Corresponds to the number of the paper delivery note and the number in the electronic delivery note (DESADV). The information in IFTMIN, DESADV and on the paper delivery note must be the same.			
EDIFACT		EAN	
Tag	Name	St/Format	St * Usage
C506	REFERENCE	M	<b>M</b>
1153	Reference code qualifier	M an..3	<b>M</b> DQ = Delivery note number
1154	Reference identifier	C an..70	<b>D</b>
Segment Notes: Example: <b>RFF+DQ:00356296'</b>			

\* = Restricted Codes

St = Status

EDIFACT: M=Mandatory, C=Conditional

User specific: R=Required, O=Optional, D=Dependent,

A=Advised, N=Not used, X=Not used

**Segment Details**

Segment number: 14

<b>SG3</b>	- C	999 - Reference number	
<b>RFF</b>	- M	1 - order number	
Function: Corresponds to the order number of EDEKA and must be taken from EDI ORDERS.			
EDIFACT		EAN	
Tag	Name	St/Format	St * Usage
C506	REFERENCE	M	<b>M</b>
1153	Reference code qualifier	M an..3	<b>M</b> ON = Order number (buyer)
1154	order number	C an..70	<b>C</b>
Segment Notes: Example: <b>RFF+ON:2007016191844'</b>			

\* = Restricted Codes

St = Status

EDIFACT: M=Mandatory, C=Conditional

User specific: R=Required, O=Optional, D=Dependent,

A=Advised, N=Not used, X=Not used

**Segment Details**

Segment number: 15

<b>SG3</b>	- C	999 - Reference number	
<b>RFF</b>	- M	1 - Freight forw arder's reference number	
Function: Corresponds to the Freight forw arder's reference number.			
EDIFACT		EAN	
Tag	Name	St/Format	St * Usage
C506	REFERENCE	M	<b>M</b>
1153	Reference code qualifier	M an..3	<b>M</b> FF = Freight forw arder's reference number
1154	Reference number of the customer	C an..70	<b>C</b>
Segment Notes: Example: <b>RFF+FF:901'</b>			

\* = Restricted Codes

St = Status

EDIFACT: M=Mandatory, C=Conditional

User specific: R=Required, O=Optional, D=Dependent,

A=Advised, N=Not used, X=Not used

**Segment Details**

Segment number: 16

<b>SG3</b>	- C	999 - Reference number	
<b>RFF</b>	- M	1 - Reference number of the consignor	
Function: Corresponds to a unique key reference number to identify a delivery/part-delivery, assigned by the supplier. Ideally = delivery note number. If delivery note number is not available at time of transport notification, this SDR number has to be an alternative unique delivery/part-delivery number. The number must be identical in the transport advice and instruction.			
EDIFACT		EAN	
Tag	Name	St/Format	St * Usage
C506	REFERENCE	M	<b>M</b>
1153	Reference code qualifier	M an..3	<b>M</b> AXG =key reference
1154	Reference number of the consignor	C an..70	<b>C</b>
Segment Notes: Example: <b>RFF+AXG:00356296'</b>			

\* = Restricted Codes

St = Status

EDIFACT: M=Mandatory, C=Conditional

User specific: R=Required, O=Optional, D=Dependent,

A=Advised, N=Not used, X=Not used

**Segment Details**

Segment number: 17

<b>SG3</b>	- C	999 - Reference number	
<b>RFF</b>	- M	1 - suppliers order number	
Function: Optional - Corresponds to the suppliers order number			
EDIFACT		EAN	
Tag	Name	St/Format	St * Usage
C506	REFERENCE	M	<b>M</b>
1153	Reference code qualifier	M an..3	<b>M</b> VN = Order number (supplier)
1154	suppliers order number	C an..70	<b>C</b>
Segment Notes: Example: <b>RFF+VN:00271606'</b>			

\* = Restricted Codes

St = Status

EDIFACT: M=Mandatory, C=Conditional

User specific: R=Required, O=Optional, D=Dependent,

A=Advised, N=Not used, X=Not used

**Segment Details**

Segment number: 18

<b>SG3</b>	- C	999 - Reference number	
<b>RFF</b>	- M	1 - External consolidation reference number	
Function: External consolidation reference number. A reference number assigned to identify an external consolidation.			
EDIFACT		EAN	
Tag	Name	St/Format	St * Usage
C506	REFERENCE	M	<b>M</b>
1153	Reference code qualifier	M an..3	<b>M</b> ECN = External consolidation reference number (GS1 Code)
1154	External consolidation reference number	C an..70	<b>C</b>
Segment Notes: Corresponds to the EDEKA / Netto MD consolidation number from EDI ORDERS. As part of the EDEKA procurement optimization, orders are e.g. Summarized across all suppliers. Must be taken from ORDERS if available. Example: <b>RFF+ECN:8000153728'</b>			

\* = Restricted Codes

St = Status

EDIFACT: M=Mandatory, C=Conditional

User specific: R=Required, O=Optional, D=Dependent,

A=Advised, N=Not used, X=Not used



**Segment Details**

Segment number: 19

<b>SG11</b>	- M	99 - Informations about the supplier			
<b>NAD</b>	- M	1 - Supplier identification			
Function: Name and address of the supplier.					
EDIFACT			EAN		
Tag	Name	St/Format	St	*	Usage
3035	Party function code qualifier	M an..3	<b>M</b>		SU = <b>Supplier</b>
C082	PARTY IDENTIFICATION DETAILS	C	<b>C</b>		
3039	Party identifier	M an..35	<b>M</b>		GLN of supplier
1131	Code list identification code	C an..17	<b>N</b>		
3055	Code list responsible agency code	C an..3	<b>C</b>		9 = <b>GS1</b>
C058	NAME AND ADDRESS	C	<b>C</b>		
3124	Name and address description	M an..35	<b>M</b>		
C080	PARTY NAME	C	<b>C</b>		
3036	Party name	M an..35	<b>M</b>		
C059	STREET	C	<b>C</b>		
3042	Street and number or post office box identifier	M an..35	<b>M</b>		
3042	Street and number or post office box identifier	C an..35	<b>C</b>		
3164	City name	C an..35	<b>N</b>		
C819	COUNTRY SUB-ENTITY DETAILS	C	<b>N</b>		
3229	Country sub-entity name code	C an..9	<b>N</b>		
3251	Postal identification code	C an..17	<b>C</b>		
3207	Country name code	C an..3	<b>C</b>		DE = <b>GERMANY</b>
Segment Notes:					
Example: <b>NAD+SU+403615500004::9++Lieferant+Straße 1:Straße 2+Ort++PLZ+DE</b> <b>NAD+SU+403615500004::9++supplier+street 1:street 2+city++postcode+DE</b>					

\* = Restricted Codes

St = Status

EDIFACT: M=Mandatory, C=Conditional

User specific: R=Required, O=Optional, D=Dependent,

A=Advised, N=Not used, X=Not used

**Segment Details**

Segment number: 20

<b>SG11</b>	- M	99 - Informations about the consignee	
<b>NAD</b>	- M	1 - Consignee identification	
Function: Party to which goods should be delivered. Name and address of the EDEKA/Netto MD receiving warehouse from the ORDERS.			
EDIFACT		EAN	
Tag	Name	St/Format	St * Usage
3035	Party function code qualifier	M an..3	<b>M</b> DP = <b>Delivery party</b>
C082	PARTY IDENTIFICATION DETAILS	C	<b>C</b>
3039	Party identifier	M an..35	<b>M</b> GLN of consignee
1131	Code list identification code	C an..17	<b>N</b>
3055	Code list responsible agency code	C an..3	<b>C</b> 9 = <b>GS1</b>
C058	NAME AND ADDRESS	C	<b>N</b>
3124	Name and address description	M an..35	<b>N</b>
C080	PARTY NAME	C	<b>C</b>
3036	Party name	M an..35	<b>M</b>
C059	STREET	C	<b>C</b>
3042	Street and number or post office box identifier	M an..35	<b>M</b>
3042	Street and number or post office box identifier	C an..35	<b>C</b>
3164	City name	C an..35	<b>C</b>
C819	COUNTRY SUB-ENTITY DETAILS	C	<b>N</b>
3229	Country sub-entity name code	C an..9	<b>N</b>
3251	Postal identification code	C an..17	<b>C</b>
3207	Country name code	C an..3	<b>C</b> DE = <b>GERMANY</b>
Segment Notes:			
Example: <b>NAD+DP+4316268210003::9++Warenempfänger+Straße 1:Straße 2+Ort++PLZ+DE</b> <b>NAD+DP+4316268210003::9++goods recipient+street 1:street 2+city++postcode+DE</b>			

\* = Restricted Codes

St = Status

EDIFACT: M=Mandatory, C=Conditional

User specific: R=Required, O=Optional, D=Dependent,

A=Advised, N=Not used, X=Not used

**Segment Details**

Segment number: 21

<b>SG11</b>	- M	99 - Informations about the consignee	
<b>SG15</b>	- C	9 - RFF	
<b>RFF</b>	- M	1 - Additional reference	
Function: The order for EDEKA procurement logistics is marked with this segment.			
EDIFACT		EAN	
Tag	Name	St/Format	St * Usage
C506	REFERENCE	M	<b>M</b>
1153	Reference code qualifier	M an..3	<b>M</b> ACD = <b>Additional reference number</b>
1154	Reference identifier	C an..70	<b>C</b>
Segment Notes: Example: <b>RFF+ACD:ETR'</b>			

\* = Restricted Codes

St = Status

EDIFACT: M=Mandatory, C=Conditional

User specific: R=Required, O=Optional, D=Dependent,

A=Advised, N=Not used, X=Not used

**Segment Details**

Segment number: 22

<b>SG11</b>	- M	99 - Identifikation der Beteiligten (Spediteur)	
<b>NAD</b>	- M	1 - Name and adress of the freight forw arder.	
Function: This segment is used to identify the freight forw arder.			
EDIFACT		EAN	
Tag	Name	St/Format	St * Usage
3035	Party function code qualifier	M an..3	<b>M</b> FW = <b>Freight forw arder</b>
C082	PARTY IDENTIFICATION DETAILS	C	<b>C</b>
3039	Party identifier	M an..35	<b>M</b>
1131	Code list identification code	C an..17	<b>N</b>
3055	Code list responsible agency code	C an..3	<b>C</b> 9 = <b>GS1</b>
C058	NAME AND ADDRESS	C	<b>N</b>
3124	Name and address description	M an..35	<b>N</b>
C080	PARTY NAME	C	<b>C</b>
3036	Party name	M an..35	<b>M</b>
C059	STREET	C	<b>C</b>
3042	Street and number or post office box identifier	M an..35	<b>M</b>
3164	City name	C an..35	<b>N</b>
C819	COUNTRY SUB-ENTITY DETAILS	C	<b>N</b>
3229	Country sub-entity name code	C an..9	<b>N</b>
3251	Postal identification code	C an..17	<b>C</b>
3207	Country name code	C an..3	<b>C</b> DE = <b>GERMANY</b>
Segment Notes:			
The EDEKA Belog GLN must be given for the future planned transport processing via the EDEKA procurement logistics platform (BIP): 4311501992548			
Example: <b>NAD+FW+4311501992548::9++Spediteur+Straße+Ort++PLZ+DE</b> <b>NAD+FW+4311501992548::9++freight forwarder+street+city++postcode+DE</b>			

\* = Restricted Codes

St = Status

EDIFACT: M=Mandatory, C=Conditional

User specific: R=Required, O=Optional, D=Dependent,

A=Advised, N=Not used, X=Not used

**Segment Details**

Segment number: 23

<b>SG11</b>	- M	99 - Identifikation der Beteiligten			
<b>NAD</b>	- M	1 - Identification of the participants (sent by)			
Function:					
This segment is used to identify the participant, sent by.					
EDIFACT			EAN		
Tag	Name	St/Format	St	*	Usage
3035	Party function code qualifier	M an..3	<b>M</b>		SF = <b>Ship from</b>
C082	PARTY IDENTIFICATION DETAILS	C	<b>C</b>		
3039	Party identifier	M an..35	<b>M</b>		
1131	Code list identification code	C an..17	<b>N</b>		
3055	Code list responsible agency code	C an..3	<b>C</b>		9 = <b>GS1</b>
C058	NAME AND ADDRESS	C	<b>N</b>		
3124	Name and address description	M an..35	<b>N</b>		
C080	PARTY NAME	C	<b>C</b>		
3036	Party name	M an..35	<b>M</b>		
3036	Party name	C an..35	<b>C</b>		
C059	STREET	C	<b>C</b>		
3042	Street and number or post office box identifier	M an..35	<b>M</b>		
3164	City name	C an..35	<b>C</b>		
C819	COUNTRY SUB-ENTITY DETAILS	C	<b>N</b>		
3229	Country sub-entity name code	C an..9	<b>N</b>		
3251	Postal identification code	C an..17	<b>C</b>		
3207	Country name code	C an..3	<b>C</b>		DE = <b>GERMANY</b>
Segment Notes:					
Example: <b>NAD+SF+400917600001::9++Name 1:Name 2+Straße+Ort++PLZ+DE</b> <b>NAD+SF+400917600001::9++Name 1:Name 2+street+city++postcode+DE</b>					

\* = Restricted Codes

St = Status

EDIFACT: M=Mandatory, C=Conditional

User specific: R=Required, O=Optional, D=Dependent,

A=Advised, N=Not used, X=Not used

**Segment Details**

Segment number: 24

<b>SG18</b>	- C	999 - Positionsteil	
<b>GID</b>	- M	1 - Shipment line details	
Function:			
This segment is the trigger segment for the detail section of the transport instruction message.			
EDIFACT		EAN	
Tag	Name	St/Format	St * Usage
1496	Goods item number	C n..5	<b>C</b>
C213	NUMBER AND TYPE OF PACKAGES	C	<b>C</b>
7224	Package quantity	C n..8	<b>C</b>
7065	Package type description code	C an..17	<b>C</b> 201 = Pallet ISO 1 - 1/1 EURO Pallet (GS1 Code)
C213	NUMBER AND TYPE OF PACKAGES	C	<b>C</b>
7224	Package quantity	C n..8	<b>C</b>
7065	Package type description code	C an..17	<b>C</b> 201 = Pallet ISO 1 - 1/1 EURO Pallet (GS1 Code)
Segment Notes:			
It is used to specify the number and type of packaging for the goods item.			
Example: <b>GID+1+1:201+2:201'</b>			

\* = Restricted Codes

St = Status

EDIFACT: M=Mandatory, C=Conditional

User specific: R=Required, O=Optional, D=Dependent,

A=Advised, N=Not used, X=Not used

**Segment Details**

Segment number: 25

<b>SG18</b>	- C	999 - Positionsteil	
<b>SG20</b>	- C	99 - MEA	
<b>MEA</b>	- M	1 - Transport storage spaces	
Function:			
This segment is used to specify the transport storage spaces.			
EDIFACT		EAN	
Tag	Name	St/Format	St * Usage
6311	Measurement purpose code qualifier	M an..3	<b>M</b> AAE = <b>Measurement</b>
C502	MEASUREMENT DETAILS	C	<b>C</b>
6313	Measured attribute code	C an..3	<b>C</b> NPP = <b>Number of pallet places (GS1 Code)</b>
C174	VALUE/RANGE	C	<b>C</b>
6411	Measurement unit code	M an..3	<b>M</b> PCE = <b>Piece (GS1 Code)</b>
6314	Measurement value	C an..18	<b>C</b>
Segment Notes:			
One transport storage space can contain several pallets depending on the stackability or stacking factor. For further definition and criterias for transport storage, please look at GS1 Standards. The meaning of this example is that the pallet cannot be stacked and uses a full transport storage space.			
Example: <b>MEA+AAE+NPP+PCE:1.00'</b>			

\* = Restricted Codes

St = Status

EDIFACT: M=Mandatory, C=Conditional

User specific: R=Required, O=Optional, D=Dependent,

A=Advised, N=Not used, X=Not used

**Segment Details**

Segment number: 26

<b>SG18</b>	- C	999 - Positionsteil	
<b>SG23</b>	- C	999 - PCI-GIN	
<b>PCI</b>	- M	1 - Package identification	
Function: Describes that the shipment item is marked with a shipping unit number (NVE / SSCC)			
EDIFACT		EAN	
Tag	Name	St/Format	St * Usage
4233	Marking instructions code	C an..3	<b>C</b> 33E = <b>Marked with serial shipping container code (GS1 Code)</b>
Segment Notes: Example: <b>PCI+33E</b>			

\* = Restricted Codes

St = Status

EDIFACT: M=Mandatory, C=Conditional

User specific: R=Required, O=Optional, D=Dependent,

A=Advised, N=Not used, X=Not used



**Segment Details**

Segment number: 27

<b>SG18</b>	- C	999 - Positionsteil	
<b>SG23</b>	- C	999 - PCI-GIN	
<b>GIN</b>	- C	10 - Shipping unit number (NVE / SSCC)	
Function: Describes the SSCC or master SSCC of the shipment position.			
EDIFACT		EAN	
Tag	Name	St/Format	St * Usage
7405	Object identification code qualifier	M an..3	<b>M</b> BJ = <b>Serial shipping container code</b>
C208	IDENTITY NUMBER RANGE	M	<b>M</b>
7402	Object identifier	M an..35	<b>M</b>
Segment Notes: Example: <b>GIN+BJ+340026520020510389'</b>			

\* = Restricted Codes

St = Status

EDIFACT: M=Mandatory, C=Conditional

User specific: R=Required, O=Optional, D=Dependent,

A=Advised, N=Not used, X=Not used

**Segment Details**

Segment number: 28

<b>SG18</b>	- C	999 - Positionsteil	
<b>SG32</b>	- C	99 - DGS	
<b>DGS</b>	- M	1 - Shipment item contains dangerous goods	
Function:			
This segment contains information about whether the shipment item contains dangerous goods. This segment is only to be marked when shipping dangerous goods.			
EDIFACT		EAN	
Tag	Name	St/Format	St * Usage
8273	Dangerous goods regulations code	C an..3	<b>C</b>
C205	HAZARD CODE	C	<b>C</b>
8351	Hazard identification code	M an..7	<b>M</b>
8078	Additional hazard classification identifier	C an..7	<b>C</b>
C234	UNDG INFORMATION	C	<b>C</b>
7124	United Nations Dangerous Goods (UNDG) identifier	C n4	<b>C</b>
C223	DANGEROUS GOODS SHIPMENT FLASHPOINT	C	<b>C</b>
7106	Shipment flashpoint value	C n3	<b>N</b>
6411	Measurement unit code	C an..3	<b>C</b> CEL = degree celsius
8339	Packaging danger level code	C an..3	<b>N</b>
8364	Emergency procedure for ships identifier	C an..6	<b>N</b>
8410	Hazard medical first aid guide identifier	C an..4	<b>C</b>
8126	Transport emergency card identifier	C an..10	<b>C</b>
C235	HAZARD IDENTIFICATION PLACARD DETAILS	C	<b>C</b>
8158	Orange hazard placard upper part identifier	C an..4	<b>N</b>
8186	Orange hazard placard lower part identifier	C an4	<b>C</b>
C236	DANGEROUS GOODS LABEL	C	<b>C</b>
8246	Dangerous goods marking identifier	C an..4	<b>C</b>
8246	Dangerous goods marking identifier	C an..4	<b>C</b>
8255	Packing instruction type code	C an..3	<b>N</b>

\* = Restricted Codes

St = Status

EDIFACT: M=Mandatory, C=Conditional

User specific: R=Required, O=Optional, D=Dependent,

A=Advised, N=Not used, X=Not used

**Segment Details**

---

8325	Hazardous means of transport category code	C an..3	<b>N</b>	
8211	Hazardous cargo transport	C an..3	<b>C</b>	

\* = Restricted Codes

St = Status

EDIFACT: M=Mandatory, C=Conditional

User specific: R=Required, O=Optional, D=Dependent,

A=Advised, N=Not used, X=Not used

**Segment Details**

---

Segment number: 28

EDIFACT			EAN		
Tag	Name	St/Format	St	*	Usage
	authorisation code				
Segment Notes:					
Example: <b>DGS+ADR+4.1:F1+1456+:CEL+2+++25+46:1868+4.1:6.1+++N'</b>					

\* = Restricted Codes

St = Status

EDIFACT: M=Mandatory, C=Conditional

User specific: R=Required, O=Optional, D=Dependent,

A=Advised, N=Not used, X=Not used

**Segment Details**

Segment number: 29

<b>SG37</b>	- C	999 - EQD-EQN	
<b>EQD</b>	- M	1 - Classification of the units	
Function: Here "EFP" for the number of exchangeable pallets in the shipment.			
EDIFACT		EAN	
Tag	Name	St/Format	St * Usage
8053	Equipment type code qualifier	M an..3	<b>M</b> EFP = Exchangeable EUR flat pallet
Segment Notes: Example: <b>EQD+EFP'</b>			

\* = Restricted Codes

St = Status

EDIFACT: M=Mandatory, C=Conditional

User specific: R=Required, O=Optional, D=Dependent,

A=Advised, N=Not used, X=Not used

**Segment Details**

Segment number: 30

<b>SG37</b>	- C	999 - EQD-EQN	
<b>EQN</b>	- C	1 - Number of the exchangeable units	
Function:			
This segment is used to specify the number of the exchangeable units to which the measurement of a EUR flat pallet ( 800 mm x 1200 mm) applies.			
EDIFACT		EAN	
Tag	Name	St/Format	St * Usage
C523	NUMBER OF UNIT DETAILS	M	<b>M</b>
6350	Units quantity	C n..15	<b>C</b>
Segment Notes:			
Example: <b>EQN+1'</b>			

\* = Restricted Codes

St = Status

EDIFACT: M=Mandatory, C=Conditional

User specific: R=Required, O=Optional, D=Dependent,

A=Advised, N=Not used, X=Not used

**Segment Details**

Segment number: 31

<b>UNT</b> - M 1 - Message trailer					
Function: This segment is used at the end of the message and to verify the completeness.					
EDIFACT			EAN		
Tag	Name	St/Format	St	*	Usage
0074	Number of segments in a message	M n..10	<b>M</b>		The total count of segments inside the message.
0062	Message reference number	M an..14	<b>M</b>		The reference number by the UNH-segment must be repeated.
Segment Notes: The UNT-segment must be filled in UN/EDIFACT and must be the last segment in a message. Example: <b>UNT+41+1'</b>					

\* = Restricted Codes

St = Status

EDIFACT: M=Mandatory, C=Conditional

User specific: R=Required, O=Optional, D=Dependent,

A=Advised, N=Not used, X=Not used

**Segment Details**

Segment number: 32

<b>UNZ</b> - M 1 - Interchange trailer					
Function: This segment is used at the end of interchange and to verify the completeness.					
EDIFACT			EAN		
Tag	Name	St/Format	St	*	Usage
0036	Interchange control count	M n..6	<b>M</b>		Count of messages or groups of messages in the interchange.
0020	Interchange control reference	M an..14	<b>M</b>		Identical to DE 0020 inside the UNB-segment.
Segment Notes: Example: <b>UNZ+1+4774'</b>					

\* = Restricted Codes

St = Status

EDIFACT: M=Mandatory, C=Conditional

User specific: R=Required, O=Optional, D=Dependent,

A=Advised, N=Not used, X=Not used



## Sample message

No	Tag	Example
01	UNA	UNA:+.?'
02	UNB	UNB+UNOC:3+4311501990018:14+4311501992548:14+210319:1321+4774+++++1'
03	UNH	UNH+1+IFTMIN:D:01B:UN:EAN004'
04	BGM	BGM+610+2007016191844+9' BGM+610:::609+2007016191844+9'
05	DTM	DTM+137:20210319:102'
06	DTM	DTM+2:20210319:102'
07	DTM	DTM+200:20210318:102'
08	FTX	FTX+TRA+++TIEFKUEHL' FTX+TRA+++ULTRAFRISCHE' FTX+TRA+++FRISCHE' FTX+TRA+++TEMPERATURGEFUEHRT' FTX+TRA+++UMGEBUNGSTEMPERATUR'
09	FTX	FTX+PRD+++DROGERIE'
10	CNT	CNT+7:334.83:KGM'
11	CNT	CNT+NPP:1.00'
12	CNT	CNT+11:14:PCE'
	SG3	
13	RFF	RFF+DQ:00356296'
	SG3	
14	RFF	RFF+ON:2007016191844'
	SG3	
15	RFF	RFF+FF:901'
	SG3	
16	RFF	RFF+AXG:00356296'
	SG3	
17	RFF	RFF+VN:00271606'
	SG3	
18	RFF	RFF+ECN:8000153728'
	SG11	
19	NAD	NAD+SU+4036155000004::9++Lieferant+Straße 1:Straße 2+Ort++PLZ+DE' NAD+SU+4036155000004::9++supplier+street 1:street 2+city++postcode+DE'
	SG11	
20	NAD	NAD+DP+4316268210003::9++Warenempfänger+Straße 1:Straße 2+Ort++PLZ+DE' NAD+DP+4316268210003::9++goods recipient+street 1:street 2+city++postcode+DE'
	SG15	
21	RFF	RFF+ACD:ETR'
	SG11	
22	NAD	NAD+FW+4311501992548::9++Spediteur+Straße+Ort++PLZ+DE' NAD+FW+4311501992548::9++freight forwarder+street+city++postcode+DE'
	SG11	
23	NAD	NAD+SF+4009176000001::9++Name 1:Name 2+Straße+Ort++PLZ+DE' NAD+SF+4009176000001::9++Name 1:Name 2+street+city++postcode+DE'
	SG18	
24	GID	GID+1+1:201+2:201'
	SG20	
25	MEA	MEA+AAE+NPP+PCE:1.00'
	SG23	
26	PCI	PCI+33E'
27	GIN	GIN+BJ+340026520020510389'
	SG32	
28	DGS	DGS+ADR+4.1:F1+1456+:CEL+2+++25+46:1868+4.1:6.1+++N'
	SG37	

No = Consecutive segment number

**Sample message**

---

No	Tag	Example
29	EQD	EQD+EFF'
30	EQN	EQN+1'
31	UNT	UNT+41+1'
32	UNZ	UNZ+1+4774'

---

No = Consecutive segment number