
Message Implementation Guideline

EDEKA ORDERS

based on

ORDERS

Purchase order message

EANCOM D.96A

Version: 96A
Variant: OUT 2.2
Issue date: 18.05.2020
Author: EDEKA DIGITAL GmbH



Table of Contents

Message Structure	3
Branching Diagram.....	6
Segments.....	11
Sample Message	59

St = Status

EDIFACT: M=Muss/Mandatory, C=Conditional

Anwendung: R=Erforderlich/Required, O=Optional, D=Abhängig von/Dependent, A=Empfohlen/Advised, N=Nicht benutzt/Not used,

X=Nicht benutzt/Not used

Message Structure Chart

UNA	1	C	1	- Service string advice
UNB	2	M	1	- Interchange header
UNH	3	M	1	- Message header
BGM	4	M	1	- Beginning of message
DTM	5	M	35	- Document-/Messagedate
DTM	6	M	35	- Requested date of delivery
DTM	7	M	35	- Delivery date/time, earliest
DTM	8	M	35	- Delivery date/time, latest
DTM	9	M	35	- Shipping date / time requested
FTX	10	C	99	- Free text
SG1		C	10	- Reference
RFF	11	M	1	- Originator's reference
SG1		C	10	- Reference
RFF	12	M	1	- Ultimate customer's reference number
SG1		C	10	- Reference number
RFF	13	M	1	- Reference number of the customer
SG1		C	10	- Reference number
RFF	14	M	1	- Message batch number
SG1		C	10	- Reference number
RFF	15	M	1	- Message batch number
SG1		C	10	- Reference number
RFF	16	M	1	- Blanket order number
SG2		M	99	- Information about the buyer
NAD	17	M	1	- Identification of the buyer
SG5		C	5	- Buyer contact details
CTA	18	M	1	- Buyer contact person
COM	19	C	5	- Phone number
SG2		M	99	- Details of the consignee
NAD	20	M	1	- Identification of a goods recipient
SG2		M	99	- Identification of the supplier
NAD	21	M	1	- Identification of the supplier
SG3		C	10	- RFF
RFF	22	M	1	- Reference to the supplier
SG2		C	99	- Identification of the Ultimate consignee
NAD	23	M	1	- Identification of the Ultimate consignee
SG2		C	99	- Identification of the invoice recipient
NAD	24	M	1	- Identification of the invoice recipient
SG2		O	99	- carrier information
NAD	25	M	1	- Identification of the carrier
SG2		O	99	- Information about the transfer point
NAD	26	M	1	- Identification of the transfer point - partner with whom the goods are to be picked up or taken over (i.e. if they differ from the sender).
SG11		C	5	- TOD
TOD	27	M	1	- Terms of delivery or transport
SG11		C	5	- TOD
TOD	28	M	1	- Terms of delivery or transport
SG25		M	200000	- position part
LIN	29	M	1	- position data
PIA	30	C	25	- Additional product identification
PIA	31	C	25	- Additional product identification
PIA	32	C	25	- Additional product identification
IMD	33	C	99	- Item description

St = Status

EDIFACT: M=Mandatory, C=Conditional

User specific: R=Required, O=Optional, D=Dependent, A=Advised, N=Not used, X=Not used

Message Structure Chart

| QTY 34 M 10 - Ordered quantity

St = Status

EDIFACT: M=Mandatory, C=Conditional

User specific: R=Required, O=Optional, D=Dependent, A=Advised, N=Not used, X=Not used

Message Structure Chart

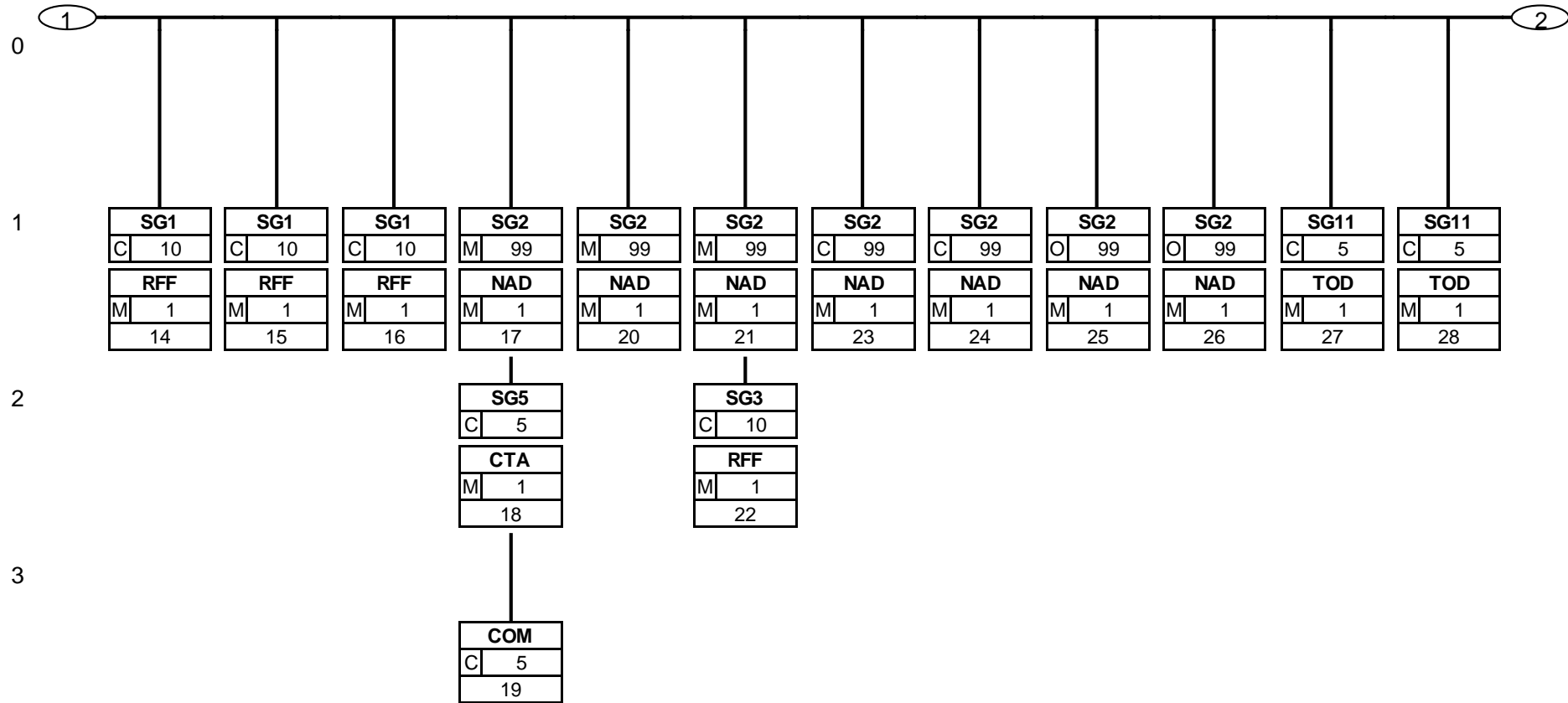
DTM	35	C	35	- Delivery date, requested
—SG28		C	25	- Informations about the prices and currencies
—PRI	36	M	1	- Price specification
—SG29		C	10	- reference information
—RFF	37	M	1	- promotion deal number
—SG29		C	10	- reference information
—RFF	38	M	1	- Ultimate customer's reference number
—SG29		C	10	- reference information
—RFF	39	M	1	- Additional reference number
—SG35		C	99	- Identification of the Ultimate consignee
—NAD	40	M	1	- Identification of the Ultimate consignee
—SG35		C	99	- NAD
—NAD	41	M	1	- Reference to the Ultimate consignee
—SG35		C	99	- Identification of the supplier
—NAD	42	M	1	- Identification of the supplier
UNS	43	M	1	- Section control
CNT	44	C	2	- Total number of equipment
CNT	45	C	2	- Total gross weight
CNT	46	C	10	- Total number of consignments
UNT	47	M	1	- MESSAGE TRAILER
UNZ	48	M	1	- INTERCHANGE TRAILER

St = Status

EDIFACT: M=Mandatory, C=Conditional

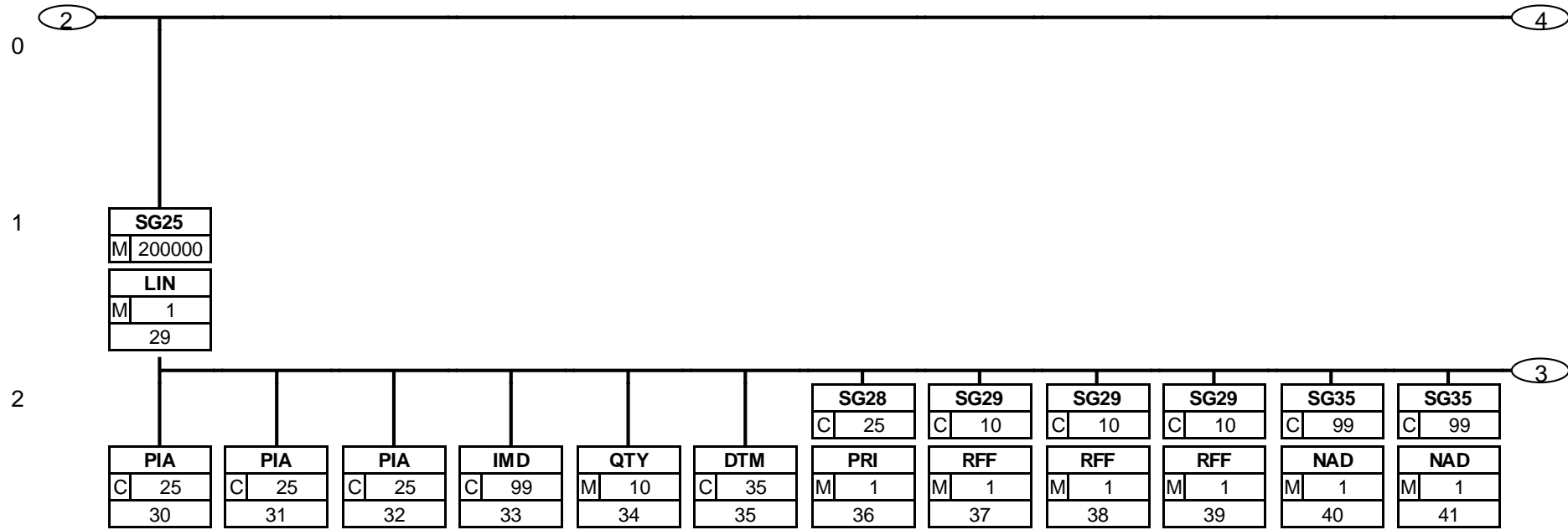
User specific: R=Required, O=Optional, D=Dependent, A=Advised, N=Not used, X=Not used

Branching Diagram



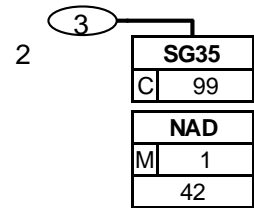
Status: M=Mandatory, C=Conditional, R=Required, O=Optional, D=Dependent, A=Advised, N=Not used, X=Not used

Branching Diagram



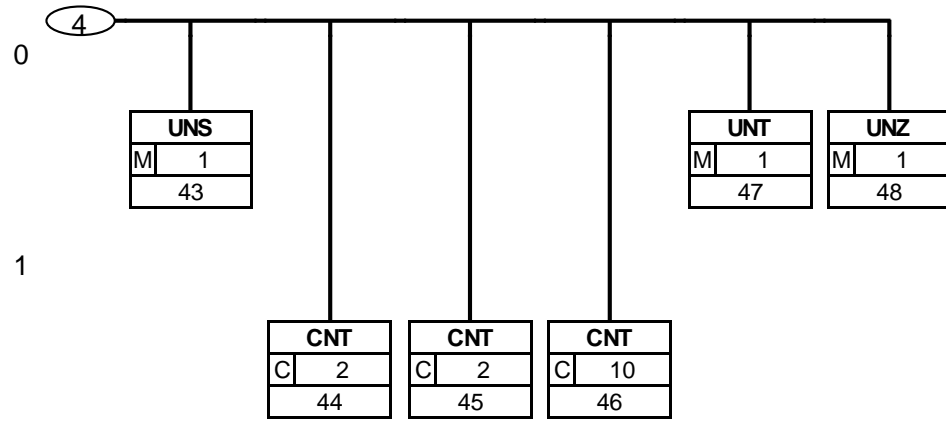
Status: M=Mandatory, C=Conditional, R=Required, O=Optional, D=Dependent, A=Advised, N=Not used, X=Not used

Branching Diagram



Status: M=Mandatory, C=Conditional, R=Required, O=Optional, D=Dependent, A=Advised, N=Not used, X=Not used

Branching Diagram



Status: M=Mandatory, C=Conditional, R=Required, O=Optional, D=Dependent, A=Advised, N=Not used, X=Not used

Segment Details

Segment number: 1

UNA - C 1 - Service string advice					
Function: This segment is used to inform the receiver of the interchange that a set of service string characters which are different to the default characters are being used.					
EDIFACT			EAN		
Tag	Name	St/Format	St	*	Usage
UNA1	Component data element separator	M an1	M		default value: ":"
UNA2	Data element separator	M an1	M		default value: "+"
UNA3	Decimal notation	M an1	M		default value: "."
UNA4	Release indicator	M an1	M		default value: "?"
UNA5	Reserved for future use	M an1	M		default value: space
UNA6	Segment terminator	M an1	M		default value: " "
Segment Notes: Example: UNA:+.? '					

* = Restricted Codes

St = Status
 EDIFACT: M=Mandatory, C=Conditional
 User specific: R=Required, O=Optional, D=Dependent,
 A=Advised, N=Not used, X=Not used

Segment Details

Segment number: 2

UNB - M 1 - Interchange header					
Function: This segment is used to envelope the interchange, as well as to identify the receiver and the sender of the interchange.					
EDIFACT			EAN		
Tag	Name	St/Format	St	*	Usage
S001	SYNTAX IDENTIFIER	M	M		
0001	Syntax identifier	M a4	M		UNOC = UNECE level C
0002	Syntax version number	M n1	M		3 = Syntax version number 3
S002	INTERCHANGE SENDER	M	M		
0004	Sender identification	M an..35	M		Sender identification
0007	Partner identification code qualifier	C an..4	C		14 = EAN International
S003	INTERCHANGE RECIPIENT	M	M		
0010	Recipient identification	M an..35	M		Recipient identification
0007	Partner identification code qualifier	C an..4	C		14 = EAN International
0014	Routing address	C an..14	C		
S004	DATE/TIME OF PREPARATION	M	M		
0017	Date of preparation	M n6	M		preparation date, format YYMMDD
0019	Time of preparation	M n4	M		preparation time, format HHMM
0020	Interchange control reference	M an..14	M		Interchange control reference
S005	RECIPIENT'S REFERENCE PASSWORD	C	C		Recipient's Reference Password
0022	Recipient's reference/password	M an..14	N		
0026	Application reference	C an..14	N		
0029	Processing priority code	C a1	N		
0031	Acknowledgement request	C n1	N		
0032	Communications agreement ID	C an..35	N		
0035	Test indicator	C n1	C		1 = Interchange is a test
Segment Notes:					
Example: UNB+UNOC:3+4311501990018:14+4398765431249:14:ROUTING+200518:1041+4+++++1'					

* = Restricted Codes

St = Status
 EDIFACT: M=Mandatory, C=Conditional
 User specific: R=Required, O=Optional, D=Dependent,
 A=Advised, N=Not used, X=Not used

Segment Details

Segment number: 3

UNH - M 1 - Message header					
Function: This segment is used to head, identify and specify a message.					
EDIFACT			EAN		
Tag	Name	St/Format	St	*	Usage
0062	Message reference number	M an..14	M		Explicit message reference number of sender. Sequential number of messages for data interchange via EDI. Identical with the element 0062 in the UNT segment. Assigned by sender.
S009	MESSAGE IDENTIFIER	M	M		
0065	Message type identifier	M an..6	M		ORDERS = Purchase order message
0052	Message type version number	M an..3	M		D = Draft directory
0054	Message type release number	M an..3	M		96A = Version 96A
0051	Controlling agency	M an..2	M		UN = UNECE/TRADE/WP.4, United Nations Standard Messages (UNSM)
0057	Association assigned code	C an..6	C		EAN008
Segment Notes: Example: UNH+1+ORDERS:D:96A:UN:EAN008'					

* = Restricted Codes

St = Status
EDIFACT: M=Mandatory, C=Conditional
User specific: R=Required, O=Optional, D=Dependent,
A=Advised, N=Not used, X=Not used

Segment Details

Segment number: 4

BGM - M 1 - Beginning of message					
Function: This segment is used to indicate the type and function of a message and to transmit the identifying number.					
EDIFACT			EAN		
Tag	Name	St/Format	St	*	Usage
C002	DOCUMENT/MESSAGE NAME	C	C		
1001	Document/message name, coded	C an..3	C		220 = Order 50E = Cross docking order (EAN Code) 221 = Blanket order
1004	Document/message number	C an..35	C		document-/message number
1225	Message function, coded	C an..3	C		9 = Original
Segment Notes: Example: BGM+220+12345678+9'					

* = Restricted Codes

St = Status
EDIFACT: M=Mandatory, C=Conditional
User specific: R=Required, O=Optional, D=Dependent,
A=Advised, N=Not used, X=Not used

Segment Details

Segment number: 5

DTM - M 35 - Document-/Messagedate					
Function: This segment is used to specify the document-/message date and is equivalent to the order date.					
EDIFACT			EAN		
Tag	Name	St/Format	St	*	Usage
C507	DATE/TIME/PERIOD	M	M		
2005	Date/time/period qualifier	M an..3	M		137 = Document/message date/time
2380	Date/time/period	C an..35	C		document-/message date
2379	Date/time/period format qualifier	C an..3	C		102 = CCYYMMDD 203 = CCYYMMDDHHMM
Segment Notes: Example: DTM+137:20200518:102' DTM+137:202005181041:203'					

* = Restricted Codes

St = Status
EDIFACT: M=Mandatory, C=Conditional
User specific: R=Required, O=Optional, D=Dependent,
A=Advised, N=Not used, X=Not used

Segment Details

Segment number: 6

DTM - M 35 - Requested date of delivery					
Function: This segment is used to specify the requested date of delivery.					
EDIFACT			EAN		
Tag	Name	St/Format	St	*	Usage
C507	DATE/TIME/PERIOD	M	M		
2005	Date/time/period qualifier	M an..3	M		2 = Delivery date/time, requested
2380	Date/time/period	C an..35	C		Requested date of delivery
2379	Date/time/period format qualifier	C an..3	C		102 = CCYYMMDD 203 = CCYYMMDDHHMM
Segment Notes: Example: DTM+2:20200520:102' DTM+2:202005201515:203'					

* = Restricted Codes

St = Status
EDIFACT: M=Mandatory, C=Conditional
User specific: R=Required, O=Optional, D=Dependent,
A=Advised, N=Not used, X=Not used

Segment Details

Segment number: 7

DTM - M 35 - Delivery date/time, earliest					
Function: This segment is used to specify additional delivery date/time options.					
EDIFACT			EAN		
Tag	Name	St/Format	St	*	Usage
C507	DATE/TIME/PERIOD	M	M		
2005	Date/time/period qualifier	M an..3	M		64 = Delivery date/time, earliest
2380	Date/time/period	C an..35	C		Delivery date/time, earliest
2379	Date/time/period format qualifier	C an..3	C		401 = HHMM
Segment Notes: Example: DTM+64:0303:401'					

* = Restricted Codes

St = Status
 EDIFACT: M=Mandatory, C=Conditional
 User specific: R=Required, O=Optional, D=Dependent,
 A=Advised, N=Not used, X=Not used

Segment Details

Segment number: 8

DTM - M 35 - Delivery date/time, latest					
Function: This segment is used to specify additional delivery date/time options.					
EDIFACT			EAN		
Tag	Name	St/Format	St	*	Usage
C507	DATE/TIME/PERIOD	M	M		
2005	Date/time/period qualifier	M an..3	M		63 = Delivery date/time, latest
2380	Date/time/period	C an..35	C		Delivery date/time, latest
2379	Date/time/period format qualifier	C an..3	C		401 = HHMM
Segment Notes: Example: DTM+63:0404:401'					

* = Restricted Codes

St = Status
 EDIFACT: M=Mandatory, C=Conditional
 User specific: R=Required, O=Optional, D=Dependent,
 A=Advised, N=Not used, X=Not used

Segment Details

Segment number: 9

DTM - M 35 - Shipping date / time requested					
Function: To specify date, and/or time, or period.					
EDIFACT			EAN		
Tag	Name	St/Format	St	*	Usage
C507	DATE/TIME/PERIOD	M	M		
2005	Date/time/period qualifier	M an..3	M		10 = Shipment date/time, requested
2380	Date/time/period	C an..35	C		Shipping date / time requested
2379	Date/time/period format qualifier	C an..3	C		102 = CCYYMMDD 203 = CCYYMMDDHHMM
Segment Notes: Example: DTM+10:20200519:102' DTM+10:202005191515:203'					

* = Restricted Codes

St = Status
EDIFACT: M=Mandatory, C=Conditional
User specific: R=Required, O=Optional, D=Dependent,
A=Advised, N=Not used, X=Not used

Segment Details

Segment number: 10

FTX - C 99 - Free text					
Function: To provide free form or coded text information.					
EDIFACT			EAN		
Tag	Name	St/Format	St	*	Usage
4451	Text subject qualifier	M an..3	M		PUR = Purchasing information
4453	Text function, coded	C an..3	C		1 = Text for subsequent use
C107	TEXT REFERENCE	C	C		
4441	Free text, coded	M an..3	M		
1131	Code list qualifier	C an..3	N		
3055	Code list responsible agency, coded	C an..3	C		92 = Assigned by buyer or buyer's agent
C108	TEXT LITERAL	C	C		
4440	Free text	M an..70	M		
3453	Language, coded	C an..3	C		DE = German
Segment Notes: Example: FTX+PUR+1+001::92+AKTIONSBESTELLUNG+DE					

* = Restricted Codes

St = Status
 EDIFACT: M=Mandatory, C=Conditional
 User specific: R=Required, O=Optional, D=Dependent,
 A=Advised, N=Not used, X=Not used

Segment Details

Segment number: 11

SG1	- C	10 - Reference	
RFF	- M	1 - Originator's reference	
Function: The RFF + ABO reflects a reference of the exhibitor. In this case, this is the one transaction number to the order.			
EDIFACT		EAN	
Tag	Name	St/Format	St * Usage
C506	REFERENCE	M	M
1153	Reference qualifier	M an..3	M ABO = Originator's reference
1154	Reference number	C an..35	C
Segment Notes: Example: RFF+ABO:613851324'			

* = Restricted Codes

St = Status
 EDIFACT: M=Mandatory, C=Conditional
 User specific: R=Required, O=Optional, D=Dependent,
 A=Advised, N=Not used, X=Not used

Segment Details

Segment number: 12

SG1	- C	10 - Reference	
RFF	- M	1 - Ultimate customer's reference number	
Function: This segment is used to specify the end customer reference number.			
EDIFACT		EAN	
Tag	Name	St/Format	St * Usage
C506	REFERENCE	M	M
1153	Reference qualifier	M an..3	M UC = Ultimate customer's reference number
1154	end customer reference number	C an..35	C
Segment Notes: Example: RFF+UC:170393'			

* = Restricted Codes

St = Status
 EDIFACT: M=Mandatory, C=Conditional
 User specific: R=Required, O=Optional, D=Dependent,
 A=Advised, N=Not used, X=Not used

Segment Details

Segment number: 13

SG1	- C	10 - Reference number	
RFF	- M	1 - Reference number of the customer	
Function: This segment is used to indicate the reference number of the customer.			
EDIFACT		EAN	
Tag	Name	St/Format	St * Usage
C506	REFERENCE	M	M
1153	Reference qualifier	M an..3	M CR = Customer reference number
1154	Reference number of the customer	C an..35	C
Segment Notes: Example: RFF+CR:4711'			

* = Restricted Codes

St = Status
 EDIFACT: M=Mandatory, C=Conditional
 User specific: R=Required, O=Optional, D=Dependent,
 A=Advised, N=Not used, X=Not used

Segment Details

Segment number: 14

SG1	- C	10 - Reference number	
RFF	- M	1 - Message batch number	
Function: The RFF + ALL contains the Message batch number.			
EDIFACT		EAN	
Tag	Name	St/Format	St * Usage
C506	REFERENCE	M	M
1153	Reference qualifier	M an..3	M ALL = Message batch number
1154	Message batch number	C an..35	C
Segment Notes: Example: RFF+ALL:0815'			

* = Restricted Codes

St = Status
 EDIFACT: M=Mandatory, C=Conditional
 User specific: R=Required, O=Optional, D=Dependent,
 A=Advised, N=Not used, X=Not used

Segment Details

Segment number: 15

SG1	- C	10 - Reference number	
RFF	- M	1 - Message batch number	
Function: The RFF + ALL contains the Message batch number.			
EDIFACT		EAN	
Tag	Name	St/Format	St * Usage
C506	REFERENCE	M	M
1153	Reference qualifier	M an..3	M
1154	Message batch number	C an..35	C
<p>ECN = External consolidation reference number (EAN Code)</p>			
Segment Notes: The reference number for an external consolidation is only used in connection with the element CNT+10. Example: RFF+ECN:1508'			

* = Restricted Codes

St = Status
EDIFACT: M=Mandatory, C=Conditional
User specific: R=Required, O=Optional, D=Dependent,
A=Advised, N=Not used, X=Not used

Segment Details

Segment number: 16

SG1	- C	10 - Reference number	
RFF	- M	1 - Blanket order number	
Function: The RFF + BO contains the Blanket order number.			
EDIFACT		EAN	
Tag	Name	St/Format	St * Usage
C506	REFERENCE	M	M
1153	Reference qualifier	M an..3	M BO = Blanket order number
1154	Blanket order number	C an..35	C
Segment Notes: Example: RFF+BO:0815'			

* = Restricted Codes

St = Status
 EDIFACT: M=Mandatory, C=Conditional
 User specific: R=Required, O=Optional, D=Dependent,
 A=Advised, N=Not used, X=Not used

Segment Details

Segment number: 17

SG2	- M	99 - Information about the buyer	
NAD	- M	1 - Identification of the buyer	
Function: This segment is used to identify the buyer.			
EDIFACT		EAN	
Tag	Name	St/Format	St * Usage
3035	Party qualifier	M an..3	M BY = Buyer
C082	PARTY IDENTIFICATION DETAILS	C	C
3039	Party id. identification	M an..35	M GLN of buyer
1131	Code list qualifier	C an..3	N
3055	Code list responsible agency, coded	C an..3	C 9 = EAN (International Article Numbering association)
Segment Notes: Example: NAD+BY+4356987941132::9'			

* = Restricted Codes

St = Status
 EDIFACT: M=Mandatory, C=Conditional
 User specific: R=Required, O=Optional, D=Dependent,
 A=Advised, N=Not used, X=Not used

Segment Details

Segment number: 18

SG2	- M	99 - Information about the buyer		
SG5	- C	5 - Buyer contact details		
CTA	- M	1 - Buyer contact person		
Function: This segment is used to specify a contact person or a department.				
EDIFACT		EAN		
Tag	Name	St/Format	St	* Usage
3139	Contact function, coded	C an..3	C	OC = Order contact
C056	DEPARTMENT OR EMPLOYEE DETAILS	C	C	
3413	Department or employee identification	C an..17	C	Buyer contact person
3412	Department or employee	C an..35	O	
Segment Notes: Example: CTA+OC+MEER'				

* = Restricted Codes

St = Status
 EDIFACT: M=Mandatory, C=Conditional
 User specific: R=Required, O=Optional, D=Dependent,
 A=Advised, N=Not used, X=Not used

Segment Details

Segment number: 19

SG2	- M	99 - Information about the buyer			
SG5	- C	5 - Buyer contact details			
COM	- C	5 - Phone number			
Function:					
This segment is used to specify the phone number of the contact person or department.					
EDIFACT			EAN		
Tag	Name	St/Format	St	*	Usage
C076	COMMUNICATION CONTACT	M	M		
3148	Phone number	M an..512	M		
3155	Communication channel qualifier	M an..3	M		TE = Telephone
Segment Notes:					
Example: COM+02210101:TE					

* = Restricted Codes

St = Status
 EDIFACT: M=Mandatory, C=Conditional
 User specific: R=Required, O=Optional, D=Dependent,
 A=Advised, N=Not used, X=Not used

Segment Details

Segment number: 20

SG2	- M	99 - Details of the consignee	
NAD	- M	1 - Identification of a goods recipient	
Function: The NAD segment is used to specify the identification of a goods recipient.			
EDIFACT		EAN	
Tag	Name	St/Format	St * Usage
3035	Party qualifier	M an..3	M DP = Delivery party
C082	PARTY IDENTIFICATION DETAILS	C	C
3039	GLN of a goods recipient	M an..35	M
1131	Code list qualifier	C an..3	N
3055	Code list responsible agency, coded	C an..3	C 9 = EAN (International Article Numbering association)
C058	NAME AND ADDRESS	C	N
3124	Name and address line	M an..35	N
C080	PARTY NAME	C	C
3036	Party name	M an..35	M
C059	STREET	C	C
3042	Street and number/p.o. box	M an..35	M
3042	Street and number/p.o. box	C an..35	C
3164	City name	C an..35	C
3229	Country sub-entity identification	C an..9	N
3251	Postcode identification	C an..9	C
3207	Country, coded	C an..3	C DE = GERMANY
Segment Notes: Example: NAD+DP+4314318578080::9++goods recipient+street 1:street 2+city++postcode+DE			

* = Restricted Codes

St = Status
 EDIFACT: M=Mandatory, C=Conditional
 User specific: R=Required, O=Optional, D=Dependent,
 A=Advised, N=Not used, X=Not used

Segment Details

Segment number: 21

SG2	- M	99 - Identification of the supplier	
NAD	- M	1 - Identification of the supplier	
Function: The NAD segment is used to indicate the identification of the supplier.			
EDIFACT		EAN	
Tag	Name	St/Format	St * Usage
3035	Party qualifier	M an..3	M SU = Supplier
C082	PARTY IDENTIFICATION DETAILS	C	C
3039	GLN of the supplier	M an..35	M
1131	Code list qualifier	C an..3	N
3055	Code list responsible agency, coded	C an..3	C 9 = EAN (International Article Numbering association)
Segment Notes: Example: NAD+SU+4398465213564::9'			

* = Restricted Codes

St = Status
 EDIFACT: M=Mandatory, C=Conditional
 User specific: R=Required, O=Optional, D=Dependent,
 A=Advised, N=Not used, X=Not used

Segment Details

Segment number: 22

SG2	- M	99 - Identification of the supplier	
SG3	- C	10 - RFF	
RFF	- M	1 - Reference to the supplier	
Function: The RFF + API can be used for additional information about the partner identification.			
EDIFACT		EAN	
Tag	Name	St/Format	St * Usage
C506	REFERENCE	M	M
1153	Reference qualifier	M an..3	M API = Additional reference number
1154	Reference number	C an..35	M
Segment Notes: Example: RFF+API:76231412'			

* = Restricted Codes

St = Status
 EDIFACT: M=Mandatory, C=Conditional
 User specific: R=Required, O=Optional, D=Dependent,
 A=Advised, N=Not used, X=Not used

Segment Details

Segment number: 23

SG2	- C	99 - Identification of the Ultimate consignee	
NAD	- M	1 - Identification of the Ultimate consignee	
Function: The NAD segment is used to specify the identification of a Ultimate consignee.			
EDIFACT		EAN	
Tag	Name	St/Format	St * Usage
3035	Party qualifier	M an..3	M UC = Ultimate consignee
C082	PARTY IDENTIFICATION DETAILS	C	C
3039	GLN of the Ultimate consignee	M an..35	M
1131	Code list qualifier	C an..3	N
3055	Code list responsible agency, coded	C an..3	C 9 = EAN (International Article Numbering association)
Segment Notes: Example: NAD+UC+4314318578080::9'			

* = Restricted Codes

St = Status
 EDIFACT: M=Mandatory, C=Conditional
 User specific: R=Required, O=Optional, D=Dependent,
 A=Advised, N=Not used, X=Not used

Segment Details

Segment number: 24

SG2	- C	99 - Identification of the invoice recipient			
NAD	- M	1 - Identification of the invoice recipient			
Function: The NAD segment is used to specify the identification of the invoicee.					
EDIFACT			EAN		
Tag	Name	St/Format	St	*	Usage
3035	Party qualifier	M an..3	M		IV = Invoicee
C082	IDENTIFICATION OF THE INVOICE RECIPIENT	C	C		
3039	GLN of a Invoicee	M an..35	M		
1131	Code list qualifier	C an..3	N		
3055	Code list responsible agency, coded	C an..3	C		9 = EAN (International Article Numbering association)
Segment Notes: Example: NAD+IV+431156000000::9'					

* = Restricted Codes

St = Status
 EDIFACT: M=Mandatory, C=Conditional
 User specific: R=Required, O=Optional, D=Dependent,
 A=Advised, N=Not used, X=Not used

Segment Details

Segment number: 25

SG2	- O	99 - carrier information			
NAD	- M	1 - Identification of the carrier			
Function: The NAD segment is used to specify the identification of a carrier.					
EDIFACT			EAN		
Tag	Name	St/Format	St	*	Usage
3035	Party qualifier	M an..3	M		CA = Carrier
C082	IDENTIFICATION OF THE CARRIER.	C	C		
3039	GLN of the carrier	M an..35	M		
1131	Code list qualifier	C an..3	N		
3055	Code list responsible agency, coded	C an..3	C		9 = EAN (International Article Numbering association)
Segment Notes: Example: NAD+CA+4033988000003::9'					

* = Restricted Codes

St = Status
 EDIFACT: M=Mandatory, C=Conditional
 User specific: R=Required, O=Optional, D=Dependent,
 A=Advised, N=Not used, X=Not used

Segment Details

Segment number: 26

SG2	- O	99 - Information about the transfer point	
NAD	- M	1 - Identification of the transfer point - partner with whom the goods are to be picked up or taken over (i.e. if they differ from the sender).	
Function: The NAD segment is used to indicate the identification of Despatch party.			
EDIFACT		EAN	
Tag	Name	St/Format	St * Usage
3035	Party qualifier	M an..3	M PW = Despatch party
C082	IDENTIFICATION OF DESPATCH PARTY.	C	C
3039	GLN of Despatch party.	M an..35	M
1131	Code list qualifier	C an..3	N
3055	Code list responsible agency, coded	C an..3	C 9 = EAN (International Article Numbering association)
Segment Notes: Example: NAD+CA+4033988000003::9'			

* = Restricted Codes

St = Status
 EDIFACT: M=Mandatory, C=Conditional
 User specific: R=Required, O=Optional, D=Dependent,
 A=Advised, N=Not used, X=Not used

Segment Details

Segment number: 27

SG11	- C	5 - TOD			
TOD	- M	1 - Terms of delivery or transport			
Function: This segment is used to indicate delivery conditions.					
EDIFACT			EAN		
Tag	Name	St/Format	St	*	Usage
4055	Terms of delivery or transport function, coded	C an..3	C		6 = Delivery condition
4215	Transport charges method of payment, coded	C an..3	C		CC = Collect
C100	TERMS OF DELIVERY OR TRANSPORT	C	C		
4053	Terms of delivery or transport, coded	C an..3	C		EXW = Ex works
Segment Notes: Example: TOD+6+CC+EXW'					

* = Restricted Codes

St = Status
 EDIFACT: M=Mandatory, C=Conditional
 User specific: R=Required, O=Optional, D=Dependent,
 A=Advised, N=Not used, X=Not used

Segment Details

Segment number: 28

SG11	- C	5 - TOD	
TOD	- M	1 - Terms of delivery or transport	
Function: This segment is used to indicate delivery conditions.			
EDIFACT		EAN	
Tag	Name	St/Format	St * Usage
4055	Terms of delivery or transport function, coded	C an..3	C 4 = Collected by customer
Segment Notes: Example: TOD+4'			

* = Restricted Codes

St = Status
 EDIFACT: M=Mandatory, C=Conditional
 User specific: R=Required, O=Optional, D=Dependent,
 A=Advised, N=Not used, X=Not used

Segment Details

Segment number: 29

SG25	- M	200000	- position part	
LIN	- M	1	- position data	
Function: The LIN segment is used to specify a position. In this segment the EAN article number is given as article identification.				
EDIFACT			EAN	
Tag	Name	St/Format	St	* Usage
1082	Line item number	C n..6	C	
1229	Action request/notification, coded	C an..3	N	
C212	ITEM NUMBER IDENTIFICATION	C	C	
7140	item number	C an..35	C	
7143	Item number type, coded	C an..3	C	EN = International Article Numbering Association (EAN)
Segment Notes: Example: LIN+10++4356497841235:EN'				

* = Restricted Codes

St = Status
EDIFACT: M=Mandatory, C=Conditional
User specific: R=Required, O=Optional, D=Dependent,
A=Advised, N=Not used, X=Not used

Segment Details

Segment number: 30

SG25 - M 200000 - position part					
PIA - C 25 - Additional product identification					
Function: This segment is used to specify additional product identifications.					
EDIFACT			EAN		
Tag	Name	St/Format	St	*	Usage
4347	Product id. function qualifier	M an..3	M		1 = Additional identification
C212	ITEM NUMBER IDENTIFICATION	M	M		
7140	Item number of the buyer	C an..35	C		
7143	Item number type, coded	C an..3	C		BP = Buyer's part number
1131	Code list qualifier	C an..3	N		
3055	Code list responsible agency, coded	C an..3	C		92 = Assigned by buyer or buyer's agent
Segment Notes: Example: PIA+1+ART12398745:BP::92'					

* = Restricted Codes

St = Status
 EDIFACT: M=Mandatory, C=Conditional
 User specific: R=Required, O=Optional, D=Dependent,
 A=Advised, N=Not used, X=Not used

Segment Details

Segment number: 31

SG25 - M 200000 - position part					
PIA - C 25 - Additional product identification					
Function: This segment is used to specify additional product identifications. The actual GTIN of the article is specified in the LIN segment. The additional GTIN in this PIA segment reflects the GTIN of another unit of measure and is only used in special cases.					
EDIFACT			EAN		
Tag	Name	St/Format	St	*	Usage
4347	Product id. function qualifier	M an..3	M		1 = Additional identification
C212	ITEM NUMBER IDENTIFICATION	M	M		
7140	Additional GTIN of the item	C an..35	C		
7143	Item number type, coded	C an..3	C		EN = International Article Numbering Association (EAN)
1131	Code list qualifier	C an..3	N		
3055	Code list responsible agency, coded	C an..3	C		9 = EAN (International Article Numbering association)
Segment Notes: Example: PIA+1+4123545788555:EN::9'					

* = Restricted Codes

St = Status
EDIFACT: M=Mandatory, C=Conditional
User specific: R=Required, O=Optional, D=Dependent,
A=Advised, N=Not used, X=Not used

Segment Details

Segment number: 32

SG25 - M 200000 - position part					
PIA - C 25 - Additional product identification					
Function: This segment is used to specify additional product identifications.					
EDIFACT			EAN		
Tag	Name	St/Format	St	*	Usage
4347	Product id. function qualifier	M an..3	M		1 = Additional identification
C212	ITEM NUMBER IDENTIFICATION	M	M		
7140	Supplier's article number	C an..35	C		
7143	Item number type, coded	C an..3	C		SA = Supplier's article number
1131	Code list qualifier	C an..3	N		
3055	Code list responsible agency, coded	C an..3	C		91 = Assigned by supplier or supplier's agent
Segment Notes:					
Example: PIA+1+412354578855:SA::91'					

* = Restricted Codes

St = Status
 EDIFACT: M=Mandatory, C=Conditional
 User specific: R=Required, O=Optional, D=Dependent,
 A=Advised, N=Not used, X=Not used

Segment Details

Segment number: 33

SG25 - M 200000 - position part					
IMD - C 99 - Item description					
Function: This segment is used to specify article descriptions of the current position.					
EDIFACT			EAN		
Tag	Name	St/Format	St	*	Usage
7077	Item description type, coded	C an..3	C		F = Free-form
7081	Item characteristic, coded	C an..3	N		
C273	ITEM DESCRIPTION	C	C		
7009	Item description identification	C an..17	N		
1131	Code list qualifier	C an..3	N		
3055	Code list responsible agency, coded	C an..3	N		
7008	Item description 1	C an..35	C		
7008	Item description 2	C an..35	C		
Segment Notes: Example: IMD+F+:::EDK Avocados Hass RTE CL I: 12 ST 285 -313 g EPS 104'					

* = Restricted Codes

St = Status
 EDIFACT: M=Mandatory, C=Conditional
 User specific: R=Required, O=Optional, D=Dependent,
 A=Advised, N=Not used, X=Not used

Segment Details

Segment number: 34

SG25 - M 200000 - position part					
QTY - M 10 - Ordered quantity					
Function: The QTY segment is used to specify the order quantity for the current order item that was identified in the LIN segment.					
EDIFACT			EAN		
Tag	Name	St/Format	St	*	Usage
C186	QUANTITY DETAILS	M	M		
6063	Quantity qualifier	M an..3	M		21 = Ordered quantity
6060	quantity specification	M n..15	M		
Segment Notes: Example: QTY+21:100'					

* = Restricted Codes

St = Status
 EDIFACT: M=Mandatory, C=Conditional
 User specific: R=Required, O=Optional, D=Dependent,
 A=Advised, N=Not used, X=Not used

Segment Details

Segment number: 35

SG25 - M 200000 - position part					
DTM - C 35 - Delivery date, requested					
Function: Serves to indicate the required delivery date.					
EDIFACT			EAN		
Tag	Name	St/Format	St	*	Usage
C507	DATE/TIME/PERIOD	M	M		
2005	Date/time/period qualifier	M an..3	M		2 = Delivery date/time, requested
2380	Delivery date, requested	C an..35	C		
2379	Date/time/period format qualifier	C an..3	C		102 = CCYYMMDD
Segment Notes: Example: DTM+2:20200520:102'					

* = Restricted Codes

St = Status
 EDIFACT: M=Mandatory, C=Conditional
 User specific: R=Required, O=Optional, D=Dependent,
 A=Advised, N=Not used, X=Not used

Segment Details

Segment number: 36

SG25	- M	200000	- position part	
SG28	- C	25	- Informations about the prices and currencies	
PRI	- M	1	- Price specification	
Function: This segment is used to specify price informations.				
EDIFACT			EAN	
Tag	Name	St/Format	St	* Usage
C509	PRICE INFORMATION	C	C	
5125	Price qualifier	M an..3	M	AAA = Calculation net
5118	Price	C n..15	C	
5375	Price type, coded	C an..3	N	
5387	Price type qualifier	C an..3	N	
5284	Unit price basis	C n..9	N	
6411	Measure unit qualifier	C an..3	C	KGM = Kilogram GRM = Gram
Segment Notes: Example: PRI+AAA:14.58:::1:KGM' PRI+AAA:0.987:::1:GRM'				

* = Restricted Codes

St = Status
EDIFACT: M=Mandatory, C=Conditional
User specific: R=Required, O=Optional, D=Dependent,
A=Advised, N=Not used, X=Not used

Segment Details

Segment number: 37

SG25	- M	200000	- position part	
SG29	- C	10	- reference information	
RFF	- M	1	- promotion deal number	
Function: Used to indicate the promotion deal number.				
EDIFACT			EAN	
Tag	Name	St/Format	St	* Usage
C506	REFERENCE	M	M	
1153	Reference qualifier	M an..3	M	PD = Promotion deal number
1154	promotion deal number	C an..35	C	
Segment Notes: Example: RFF+PD+123456'				

* = Restricted Codes

St = Status
 EDIFACT: M=Mandatory, C=Conditional
 User specific: R=Required, O=Optional, D=Dependent,
 A=Advised, N=Not used, X=Not used

Segment Details

Segment number: 38

SG25	- M	200000	- position part	
SG29	- C	10	- reference information	
RFF	- M	1	- Ultimate customer's reference number	
Function: Used to specify the ultimate customer's reference number				
EDIFACT			EAN	
Tag	Name	St/Format	St	* Usage
C506	REFERENCE	M	M	
1153	Reference qualifier	M an..3	M	UC = Ultimate customer's reference number
1154	Ultimate customer's reference number	C an..35	C	
Segment Notes: Example: RFF+UC+170068'				

* = Restricted Codes

St = Status
 EDIFACT: M=Mandatory, C=Conditional
 User specific: R=Required, O=Optional, D=Dependent,
 A=Advised, N=Not used, X=Not used

Segment Details

Segment number: 39

SG25	- M	200000	- position part	
SG29	- C	10	- reference information	
RFF	- M	1	- Additional reference number	
Function: Used to specify an additional reference number				
EDIFACT			EAN	
Tag	Name	St/Format	St	* Usage
C506	REFERENCE	M	M	
1153	Reference qualifier	M an..3	M	ACD = Additional reference number
1154	Additional reference number	C an..35	C	"00" = pallet customer / "01" = roll container customer
Segment Notes: Example: RFF+ACD:01'				

* = Restricted Codes

St = Status
 EDIFACT: M=Mandatory, C=Conditional
 User specific: R=Required, O=Optional, D=Dependent,
 A=Advised, N=Not used, X=Not used

Segment Details

Segment number: 40

SG25	- M	200000	- position part	
SG35	- C	99	- Identification of the Ultimate consignee	
NAD	- M	1	- Identification of the Ultimate consignee	
Function: This segment is used to identify the Ultimate consignee.				
EDIFACT			EAN	
Tag	Name	St/Format	St	* Usage
3035	Party qualifier	M an..3	M	UC = Ultimate consignee
C082	PARTY IDENTIFICATION DETAILS	C	C	
3039	GLN of the Ultimate consignee	M an..35	M	
1131	Code list qualifier	C an..3	N	
3055	Code list responsible agency, coded	C an..3	C	9 = EAN (International Article Numbering association)
C058	NAME AND ADDRESS	C	N	
3124	Name and address line	M an..35	N	
C080	PARTY NAME	C	C	
3036	Ultimate consignee name 1	M an..35	M	
3036	Party name	C an..35	N	
3036	Ultimate consignee name 3	C an..35	C	
3036	Ultimate consignee name 4	C an..35	C	
C059	STREET	C	C	
3042	Ultimate consignee street	M an..35	M	
3164	Ultimate consignee City name	C an..35	C	
3229	Country sub-entity identification	C an..9	N	
3251	Ultimate consignee Postcode identification	C an..9	C	
3207	Country, coded	C an..3	C	DE = GERMANY
Segment Notes: Example: NAD+UC+4314318578080::9++Ultimate consignee Name::Name 3:Name 4+Street+City++Postcode+DE				

* = Restricted Codes

St = Status
 EDIFACT: M=Mandatory, C=Conditional
 User specific: R=Required, O=Optional, D=Dependent,
 A=Advised, N=Not used, X=Not used

Segment Details

Segment number: 41

SG25	- M	200000 - position part	
SG35	- C	99 - NAD	
NAD	- M	1 - Reference to the Ultimate consignee	
Function: The RFF+API can be used for additional information about the partner identification.			
EDIFACT		EAN	
Tag	Name	St/Format	St * Usage
3035	Party qualifier	M an..3	M API = Additional reference number
C082	PARTY IDENTIFICATION DETAILS	C	C
3039	Party id. identification	M an..35	M
Segment Notes: Example: RFF+API:76231412'			

* = Restricted Codes

St = Status
 EDIFACT: M=Mandatory, C=Conditional
 User specific: R=Required, O=Optional, D=Dependent,
 A=Advised, N=Not used, X=Not used

Segment Details

Segment number: 42

SG25	- M	200000	- position part	
SG35	- C	99	- Identification of the supplier	
NAD	- M	1	- Identification of the supplier	
Function: This segment is used to identify the supplier.				
EDIFACT			EAN	
Tag	Name	St/Format	St	* Usage
3035	Party qualifier	M an..3	M	SU = Supplier
C082	PARTY IDENTIFICATION DETAILS	C	C	
3039	GLN of the supplier	M an..35	M	
1131	Code list qualifier	C an..3	N	
3055	Code list responsible agency, coded	C an..3	C	9 = EAN (International Article Numbering association)
Segment Notes: Example: NAD+SU+4311502990185::9'				

* = Restricted Codes

St = Status
 EDIFACT: M=Mandatory, C=Conditional
 User specific: R=Required, O=Optional, D=Dependent,
 A=Advised, N=Not used, X=Not used

Segment Details

Segment number: 43

UNS - M 1 - Section control					
Function: This segment is used to separate the position and total parts of a message.					
EDIFACT			EAN		
Tag	Name	St/Format	St	*	Usage
0081	Section identification	M a1	M		S = Detail/summary section separation
Segment Notes: Example: UNS+S'					

* = Restricted Codes

St = Status

EDIFACT: M=Mandatory, C=Conditional

User specific: R=Required, O=Optional, D=Dependent,

A=Advised, N=Not used, X=Not used

Segment Details

Segment number: 44

CNT - C 2 - Total number of equipment					
Function: The CNT + 16 show s the total number of equipment.					
EDIFACT			EAN		
Tag	Name	St/Format	St	*	Usage
C270	CONTROL	M	M		
6069	Control qualifier	M an..3	M		16 = Total number of equipment
6066	Control value	M n..18	M		
Segment Notes: Example: CNT+16:33'					

* = Restricted Codes

St = Status
 EDIFACT: M=Mandatory, C=Conditional
 User specific: R=Required, O=Optional, D=Dependent,
 A=Advised, N=Not used, X=Not used

Segment Details

Segment number: 45

CNT - C 2 - Total gross weight					
Function: The CNT + 7 show s the total gross weight.					
EDIFACT			EAN		
Tag	Name	St/Format	St	*	Usage
C270	CONTROL	M	M		
6069	Control qualifier	M an..3	M		7 = Total gross weight
6066	Control value	M n..18	M		
Segment Notes: Example: CNT+7:125'					

* = Restricted Codes

St = Status

EDIFACT: M=Mandatory, C=Conditional

User specific: R=Required, O=Optional, D=Dependent,

A=Advised, N=Not used, X=Not used

Segment Details

Segment number: 46

CNT - C 10 - Total number of consignments					
Function: The CNT + 10 show s the total number of consignments					
EDIFACT			EAN		
Tag	Name	St/Format	St	*	Usage
C270	CONTROL	M	M		
6069	Control qualifier	M an..3	M		10 = Total number of consignments
6066	Control value	M n..18	M		
Segment Notes: The total number of consignments is only given in connection w ith the element RFF + ECN. Example: CNT+10:2'					

* = Restricted Codes

St = Status
EDIFACT: M=Mandatory, C=Conditional
User specific: R=Required, O=Optional, D=Dependent,
A=Advised, N=Not used, X=Not used

Segment Details

Segment number: 47

UNT - M 1 - MESSAGE TRAILER					
Function: To end and check the completeness of a message.					
EDIFACT			EAN		
Tag	Name	St/Format	St	*	Usage
0074	Number of segments in a message	M n..6	M		
0062	Message reference number	M an..14	M		
Segment Notes: Example: UNT+45+1'					

* = Restricted Codes

St = Status
 EDIFACT: M=Mandatory, C=Conditional
 User specific: R=Required, O=Optional, D=Dependent,
 A=Advised, N=Not used, X=Not used

Segment Details

Segment number: 48

UNZ - M 1 - INTERCHANGE TRAILER					
Function: To end and check the completeness of an interchange.					
EDIFACT			EAN		
Tag	Name	St/Format	St	*	Usage
0036	Interchange control count	M n..6	M		
0020	Interchange control reference	M an..14	M		
Segment Notes: Example: UNZ+1+X'					

* = Restricted Codes

St = Status

EDIFACT: M=Mandatory, C=Conditional

User specific: R=Required, O=Optional, D=Dependent,

A=Advised, N=Not used, X=Not used

Sample message

No	Tag	Example
01	UNA	UNA:+.?'
02	UNB	UNB+UNOC:3+4311501990018:14+4398765431249:14:ROUTING+200518: 1041+4+++++1'
03	UNH	UNH+1+ORDERS:D:96A:UN:EAN008'
04	BGM	BGM+220+12345678+9'
05	DTM	DTM+137:20200518:102' DTM+137:202005181041:203'
06	DTM	DTM+2:20200520:102' DTM+2:202005201515:203'
07	DTM	DTM+64:0303:401'
08	DTM	DTM+63:0404:401'
09	DTM	DTM+10:20200519:102' DTM+10:202005191515:203'
10	FTX	FTX+PUR+1+001::92+AKTIONSBESTELLUNG+DE
	SG1	
11	RFF	RFF+ABO:613851324'
	SG1	
12	RFF	RFF+UC:170393'
	SG1	
13	RFF	RFF+CR:4711'
	SG1	
14	RFF	RFF+ALL:0815'
	SG1	
15	RFF	RFF+ECN:1508'
	SG1	
16	RFF	RFF+BO:0815'
	SG2	
17	NAD	NAD+BY+4356987941132::9'
	SG5	
18	CTA	CTA+OC+MEIER'
19	COM	COM+02210101:TE
	SG2	
20	NAD	NAD+DP+4314318578080::9++goods recipient+street 1:street 2+city++postcode+DE
	SG2	
21	NAD	NAD+SU+4398465213564::9'
	SG3	
22	RFF	RFF+API:76231412'
	SG2	
23	NAD	NAD+UC+4314318578080::9'
	SG2	
24	NAD	NAD+IV+4311560000000::9'
	SG2	
25	NAD	NAD+CA+4033988000003::9'
	SG2	
26	NAD	NAD+CA+4033988000003::9'
	SG11	
27	TOD	TOD+6+CC+EXW'
	SG11	
28	TOD	TOD+4'
	SG25	
29	LIN	LIN+10++4356497841235:EN'
30	PIA	PIA+1+ART12398745:BP::92'

No = Consecutive segment number

Sample message

No	Tag	Example
31	PIA	PIA+1+4123545788555:EN::9'
32	PIA	PIA+1+4123545788555:SA::91'
33	IMD	IMD+F+:::EDK Avocados Hass RTE CL I: 12 ST 285 -313 q EPS 104'
34	QTY	QTY+21:100'
35	DTM	DTM+2:20200520:102'
	SG28	
36	PRI	PRI+AAA:14.58:::1:KGM' PRI+AAA:0.987:::1:GRM'
	SG29	
37	RFF	RFF+PD+123456'
	SG29	
38	RFF	RFF+UC+170068'
	SG29	
39	RFF	RFF+ACD:01'
	SG35	
40	NAD	NAD+UC+4314318578080::9++Ultimate consignee Name::Name 3:Name 4+Street+City++Postcode+DE'
	SG35	
41	NAD	RFF+APt:76231412'
	SG35	
42	NAD	NAD+SU+4311502990185::9'
43	UNS	UNS+S'
44	CNT	CNT+16:33'
45	CNT	CNT+7:125'
46	CNT	CNT+10:2'
47	UNT	UNT+45+1'
48	UNZ	UNZ+1+X'

No = Consecutive segment number