
Message Implementation Guideline

EDEKA ORDERS

based on

ORDERS

Purchase order message

EANCOM® 2002 S4

Version: D01B
Variant: OUT 2.2
Issue date: 18.05.2020
Author: EDEKA DIGITAL GmbH



Table of Contents

Message Structure	3
Branching Diagram.....	6
Segments.....	10
Sample Message	58

St = Status

EDIFACT: M=Muss/Mandatory, C=Conditional

Anwendung: R=Erforderlich/Required, O=Optional, D=Abhängig von/Dependent, A=Empfohlen/Advised, N=Nicht benutzt/Not used,

X=Nicht benutzt/Not used

Message Structure Chart

UNA	1	C	1	- Service string advice
UNB	2	M	1	- Interchange header
UNH	3	M	1	- Message header
BGM	4	M	1	- Beginning of message
DTM	5	M	35	- Document-/Messagedate
DTM	6	M	35	- Requested date of delivery
DTM	7	M	35	- Delivery date/time, earliest
DTM	8	M	35	- Delivery date/time, latest
DTM	9	M	35	- Pick-up/collection date/time of cargo
DTM	10	M	35	- Shipping date / time requested
SG1		C	9999	- Reference
RFF	11	M	1	- Reference order number
SG1		C	9999	- Reference
RFF	12	M	1	- Ultimate customer's reference number
SG1		C	9999	- Reference number
RFF	13	M	1	- Reference number of the customer
SG1		C	9999	- Reference number
RFF	14	M	1	- Message batch number
SG1		C	9999	- Reference number
RFF	15	M	1	- Reference number for an external consolidation
SG1		C	9999	- Reference number
RFF	16	M	1	- Blanket order number
SG2		C	99	- Informations about the buyer
NAD	17	M	1	- Buyer identification
SG5		C	5	- Buyer contact details
CTA	18	M	1	- Buyer contact person
COM	19	C	5	- Phone number
SG2		C	99	- Informations about the consignee
NAD	20	M	1	- Consignee identification
SG2		C	99	- Informations about the supplier
NAD	21	M	1	- Supplier identification
SG3		C	99	- RFF
RFF	22	M	1	- Reference about the supplier
SG2		C	99	- Informations about the ultimate consignee
NAD	23	M	1	- Ultimate consignee identification
SG3		C	99	- RFF
RFF	24	M	1	- Reference to the Ultimate consignee
SG2		C	99	- Informations about the invoice recipient
NAD	25	M	1	- Invoice recipient identification
SG2		O	99	- carrier information
NAD	26	M	1	- Identification of the carrier
SG2		O	99	- Information about the transfer point
NAD	27	M	1	- Identification of the transfer point - partner with whom the goods are to be picked up or taken over (i.e. if they differ from the sender).
SG12		C	5	- Terms of transportation or delivery
TOD	28	M	1	- Terms of delivery
SG12		C	5	- TOD
TOD	29	M	1	- Terms of delivery or transport
SG28		C	200000	- Purchase Order Detail Section
LIN	30	M	1	- Line item detail section
PIA	31	C	25	- Additional product identification
PIA	32	C	25	- Additional product identification
PIA	33	C	25	- Additional product identification

St = Status

EDIFACT: M=Mandatory, C=Conditional

User specific: R=Required, O=Optional, D=Dependent, A=Advised, N=Not used, X=Not use d

Message Structure Chart

| IMD 34 C 99 - product-/performance discription

St = Status

EDIFACT: M=Mandatory, C=Conditional

User specific: R=Required, O=Optional, D=Dependent, A=Advised, N=Not used, X=Not used

Message Structure Chart

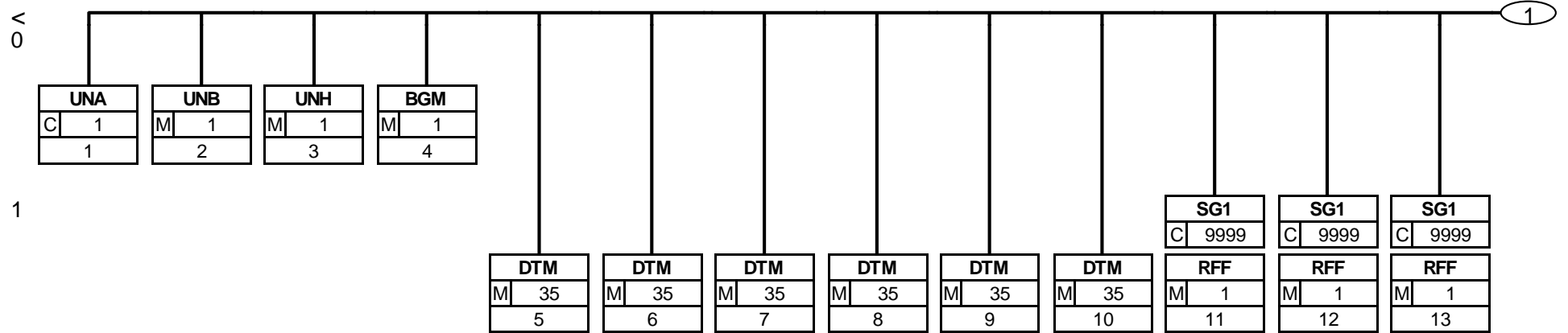
	QTY	35	C	99	- Ordered quantity
	DTM	36	C	35	- Requested date of delivery
	SG32		C	25	- Informations about the prices and currencies
	PRI	37	M	1	- Price specification
	SG33		C	9999	- Reference
	RFF	38	M	1	- promotion number
	SG33		C	9999	- reference information
	RFF	39	M	1	- Ultimate customer's reference number
	SG33		C	9999	- reference information
	RFF	40	M	1	- Additional reference number
	SG39		C	999	- Declaration of ultimate consignee
	NAD	41	M	1	- Identification of ultimate consignee
	SG39		C	999	- Identification of the supplier
	NAD	42	M	1	- Identification of the supplier
	UNS	43	M	1	- Section control
	CNT	44	C	10	- Means of transportation total count
	CNT	45	C	10	- Total gross weight
	CNT	46	C	10	- Total number of consignments
	UNT	47	M	1	- Message trailer
	UNZ	48	M	1	- Interchange trailer

St = Status

EDIFACT: M=Mandatory, C=Conditional

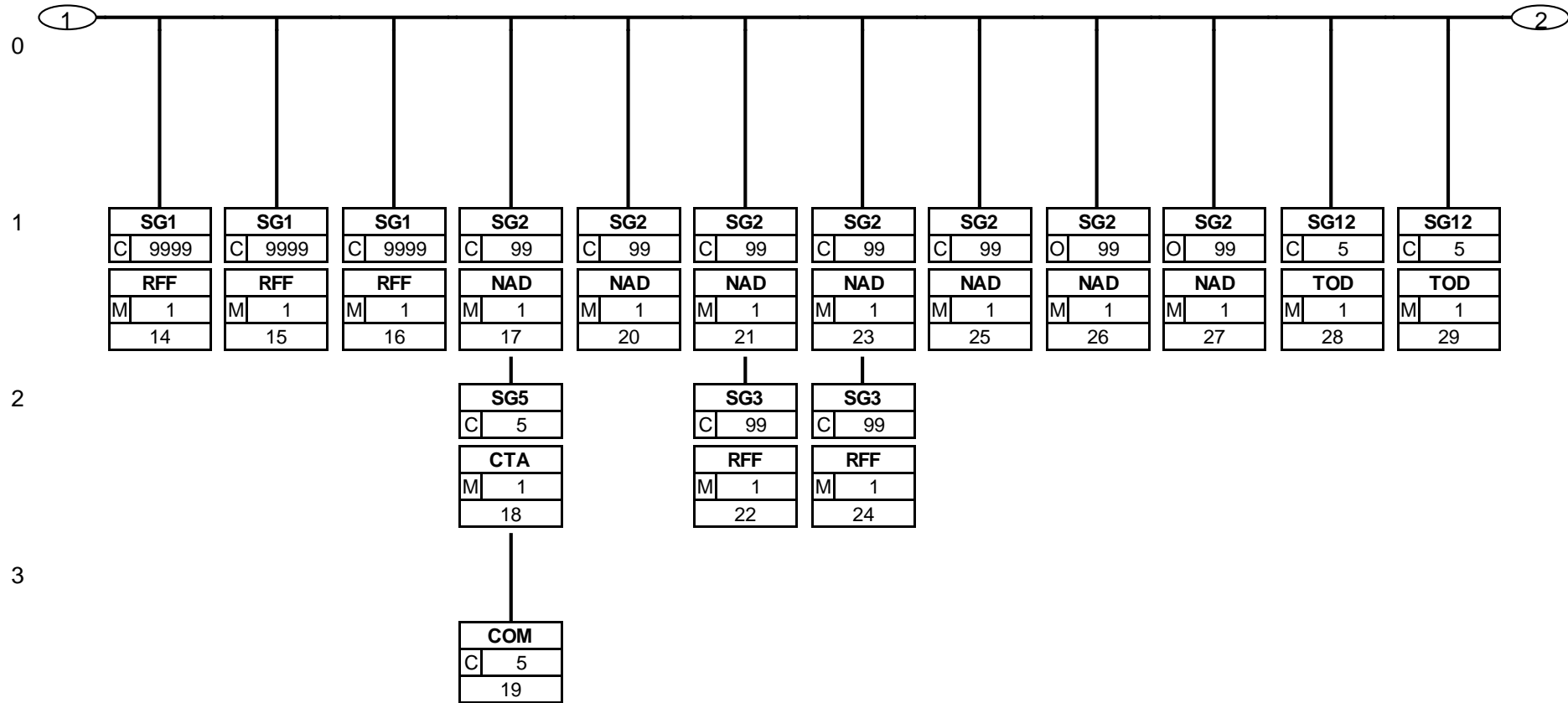
User specific: R=Required, O=Optional, D=Dependent, A=Advised, N=Not used, X=Not used

Branching Diagram



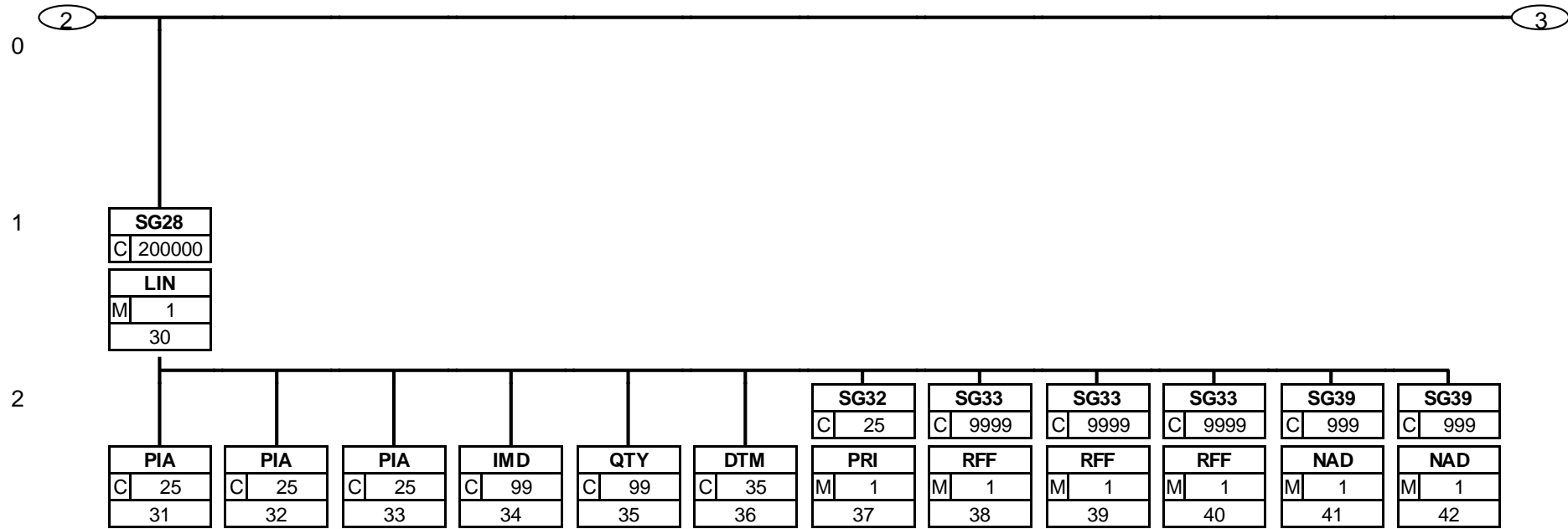
Status: M=Mandatory, C=Conditional, R=Required, O=Optional, D=Dependent, A=Advised, N=Not used, X=Not used

Branching Diagram



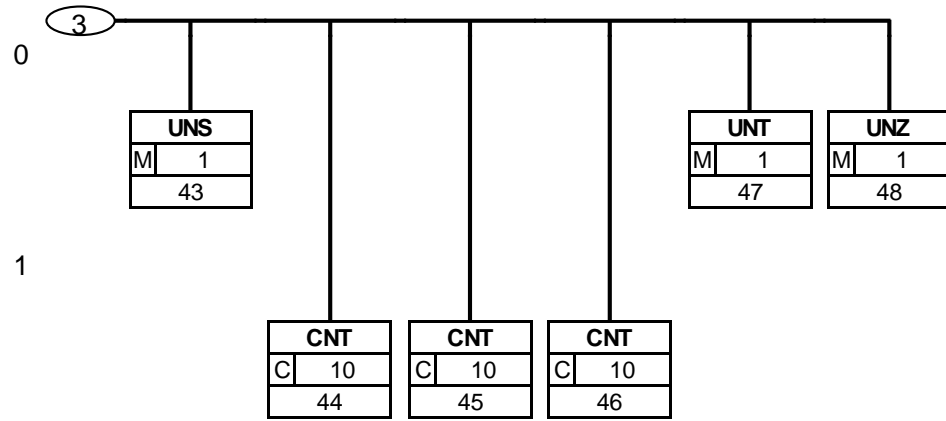
Status: M=Mandatory, C=Conditional, R=Required, O=Optional, D=Dependent, A=Advised, N=Not used, X=Not used

Branching Diagram



Status: M=Mandatory, C=Conditional, R=Required, O=Optional, D=Dependent, A=Advised, N=Not used, X=Not used

Branching Diagram



Status: M=Mandatory, C=Conditional, R=Required, O=Optional, D=Dependent, A=Advised, N=Not used, X=Not used

Segment Details

Segment number: 1

UNA - C 1 - Service string advice					
Function: This segment is used to inform the receiver of the interchange that a set of service string characters which are different to the default characters are being used.					
EDIFACT			EAN		
Tag	Name	St/Format	St	*	Usage
UNA1	Component data element separator	M an1	M		default value: ":"
UNA2	Data element separator	M an1	M		default value: "+"
UNA3	Decimal mark	M an1	M		default value: "."
UNA4	Release character	M an1	M		default value: "?"
UNA5	Repetition separator	M an1	M		default value : space
UNA6	Segment terminator	M an1	M		default value : " "
Segment Notes: Example: UNA:+.? '					

* = Restricted Codes

St = Status
 EDIFACT: M=Mandatory, C=Conditional
 User specific: R=Required, O=Optional, D=Dependent,
 A=Advised, N=Not used, X=Not used

Segment Details

Segment number: 2

UNB - M 1 - Interchange header					
Function:					
This segment is used to envelope the interchange, as well as to identify the receiver and the sender of the interchange.					
EDIFACT			EAN		
Tag	Name	St/Format	St	*	Usage
S001	SYNTAX IDENTIFIER	M	M		
0001	Syntax identifier	M a4	M		UNOC = UNECE level C
0002	Syntax version number	M an1	M		3 = Version 3
S002	INTERCHANGE SENDER	M	M		
0004	Interchange sender identification	M an..35	M		GLN of sender
0007	Identification code qualifier	C an..4	C		14 = GS1
S003	INTERCHANGE RECIPIENT	M	M		
0010	Interchange recipient identification	M an..35	M		GLN of recipient
0007	Identification code qualifier	C an..4	C		14 = GS1
0014	Interchange recipient internal identification	C an..35	C		Routing address
S004	DATE AND TIME OF PREPARATION	M	M		
0017	Date	M n8	M		preparation date, format YYMMDD
0019	Time	M n4	M		preparation time, format HHMM
0020	Interchange control reference	M an..14	M		Explicit reference to identify the interchange: Assigned by sender.
S005	RECIPIENT REFERENCE/ PASSWORD DETAILS	C	N		
0022	Recipient reference/password	M an..14	N		
0026	Application reference	C an..14	N		
0029	Processing priority code	C a1	N		
0031	Acknowledgement request	C n1	N		
0032	Interchange agreement identifier	C an..35	N		
0035	Test indicator	C n1	C		1 = Interchange is a test
Segment Notes:					
Example: UNB+UNOC:3+4311501990018:14+4398765431249:14:ROUTING+200518:0927+4+++++1'					

* = Restricted Codes

St = Status
 EDIFACT: M=Mandatory, C=Conditional
 User specific: R=Required, O=Optional, D=Dependent,
 A=Advised, N=Not used, X=Not used

Segment Details

Segment number: 3

UNH - M 1 - Message header					
Function: This segment is used to head, identify and specify a message.					
EDIFACT			EAN		
Tag	Name	St/Format	St	*	Usage
0062	Message reference number	M an..14	M		Explicit message reference number of sender. Sequential number of messages for data interchange via EDI. Identical to element 0062 at the UNT segment. Assigned by sender.
S009	MESSAGE IDENTIFIER	M	M		
0065	Message type	M an..6	M		ORDERS = Purchase order message
0052	Message version number	M an..3	M		D = Draft version/UN/EDIFACT Directory
0054	Message release number	M an..3	M		01B = Release 2001 - B
0051	Controlling agency, coded	M an..3	M		UN = UNCEFACT
0057	Association assigned code	C an..6	C		EAN010 = GS1 version control number (GS1 Code)
Segment Notes: Example: UNH+1+ORDERS:D:01B:UN:EAN010'					

* = Restricted Codes

St = Status
 EDIFACT: M=Mandatory, C=Conditional
 User specific: R=Required, O=Optional, D=Dependent,
 A=Advised, N=Not used, X=Not used

Segment Details

Segment number: 4

BGM - M 1 - Beginning of message					
Function: This segment is used to indicate the type and function of a message and to transmit the identifying number.					
EDIFACT			EAN		
Tag	Name	St/Format	St	*	Usage
C002	DOCUMENT/MESSAGE NAME	C	C		
1001	Document name code	C an..3	C		220 = Order 237 = Cross docking services order 402 = Cross docking order 221 = Blanket order
C106	DOCUMENT/MESSAGE IDENTIFICATION	C	C		
1004	Document identifier	C an..35	C		document-/message number
1225	Message function code	C an..3	C		9 = Original
Segment Notes: Example: BGM+220+12345678+9'					

* = Restricted Codes

St = Status
EDIFACT: M=Mandatory, C=Conditional
User specific: R=Required, O=Optional, D=Dependent,
A=Advised, N=Not used, X=Not used

Segment Details

Segment number: 5

DTM - M 35 - Document-/Messagedate					
Function: This segment is used to specify the document-/message date and is equivalent to the order date.					
EDIFACT			EAN		
Tag	Name	St/Format	St	*	Usage
C507	DATE/TIME/PERIOD	M	M		
2005	Date or time or period function code qualifier	M an..3	M		137 = Document/message date/time
2380	Date or time or period value	C an..35	C		document-/message date
2379	Date or time or period format code	C an..3	C		102 = CCYYMMDD 203 = CCYYMMDDHHMM
Segment Notes: Example: DTM+137:20200518:102'					

* = Restricted Codes

St = Status
EDIFACT: M=Mandatory, C=Conditional
User specific: R=Required, O=Optional, D=Dependent,
A=Advised, N=Not used, X=Not used

Segment Details

Segment number: 6

DTM - M 35 - Requested date of delivery					
Function: This segment is used to specify the requested date of delivery.					
EDIFACT			EAN		
Tag	Name	St/Format	St	*	Usage
C507	DATE/TIME/PERIOD	M	M		
2005	Date or time or period function code qualifier	M an..3	M		2 = Delivery date/time, requested
2380	Date or time or period value	C an..35	C		Requested date of delivery
2379	Date or time or period format code	C an..3	C		102 = CCYYMMDD 203 = CCYYMMDDHHMM
Segment Notes: Example: DTM+2:20200520:102' DTM+2:202005201515:203'					

* = Restricted Codes

St = Status
EDIFACT: M=Mandatory, C=Conditional
User specific: R=Required, O=Optional, D=Dependent,
A=Advised, N=Not used, X=Not used

Segment Details

Segment number: 7

DTM - M 35 - Delivery date/time, earliest					
Function: This segment is used to specify additional delivery date/time options.					
EDIFACT			EAN		
Tag	Name	St/Format	St	*	Usage
C507	DATE/TIME/PERIOD	M	M		
2005	Date or time or period function code qualifier	M an..3	M		64 = Delivery date/time, earliest
2380	Date or time or period value	C an..35	C		Delivery date/time, earliest
2379	Date or time or period format code	C an..3	C		401 = HHMM
Segment Notes: Example: DTM+64:0303:401'					

* = Restricted Codes

St = Status
 EDIFACT: M=Mandatory, C=Conditional
 User specific: R=Required, O=Optional, D=Dependent,
 A=Advised, N=Not used, X=Not used

Segment Details

Segment number: 8

DTM - M 35 - Delivery date/time, latest					
Function: This segment is used to specify additional delivery date/time options.					
EDIFACT			EAN		
Tag	Name	St/Format	St	*	Usage
C507	DATE/TIME/PERIOD	M	M		
2005	Date or time or period function code qualifier	M an..3	M		63 = Delivery date/time, latest
2380	Date or time or period value	C an..35	C		Delivery date/time, latest
2379	Date or time or period format code	C an..3	C		401 = HHMM
Segment Notes: Example: DTM+63:0404:401'					

* = Restricted Codes

St = Status
 EDIFACT: M=Mandatory, C=Conditional
 User specific: R=Required, O=Optional, D=Dependent,
 A=Advised, N=Not used, X=Not used

Segment Details

Segment number: 9

DTM - M 35 - Pick-up/collection date/time of cargo					
Function: To specify date, and/or time, or period.					
EDIFACT			EAN		
Tag	Name	St/Format	St	*	Usage
C507	DATE/TIME/PERIOD	M	M		
2005	Date or time or period function code qualifier	M an..3	M		200 = Pick-up/collection date/time of cargo
2380	Date or time or period value	C an..35	C		Pick-up/collection date/time of cargo
2379	Date or time or period format code	C an..3	C		102 = CCYYMMDD
Segment Notes: Example: DTM+200:20200519:102'					

* = Restricted Codes

St = Status
 EDIFACT: M=Mandatory, C=Conditional
 User specific: R=Required, O=Optional, D=Dependent,
 A=Advised, N=Not used, X=Not used

Segment Details

Segment number: 10

DTM - M 35 - Shipping date / time requested					
Function: To specify date, and/or time, or period.					
EDIFACT			EAN		
Tag	Name	St/Format	St	*	Usage
C507	DATE/TIME/PERIOD	M	M		
2005	Date or time or period function code qualifier	M an..3	M		10 = Shipment date/time, requested
2380	Date or time or period value	C an..35	C		Shipping date / time requested
2379	Date or time or period format code	C an..3	C		102 = CCYYMMDD 203 = CCYYMMDDHHMM
Segment Notes: Example: DTM+10:202005181515:203'					

* = Restricted Codes

St = Status
EDIFACT: M=Mandatory, C=Conditional
User specific: R=Required, O=Optional, D=Dependent,
A=Advised, N=Not used, X=Not used

Segment Details

Segment number: 11

SG1	- C	9999 - Reference			
RFF	- M	1 - Reference order number			
Function: The segment RFF with qualifier ABO is used to specify a reference of the issuer. This part shows the order number.					
EDIFACT			EAN		
Tag	Name	St/Format	St	*	Usage
C506	REFERENCE	M	M		
1153	Reference code qualifier	M an..3	M		ABO = Originator's reference
1154	Reference identifier	C an..70	R		
Segment Notes: Example: RFF+ABO:613851324'					

* = Restricted Codes

St = Status
 EDIFACT: M=Mandatory, C=Conditional
 User specific: R=Required, O=Optional, D=Dependent,
 A=Advised, N=Not used, X=Not used

Segment Details

Segment number: 12

SG1	- C	9999 - Reference	
RFF	- M	1 - Ultimate customer's reference number	
Function: This segment is used to specify the end customer reference number.			
EDIFACT		EAN	
Tag	Name	St/Format	St * Usage
C506	REFERENCE	M	M
1153	Reference code qualifier	M an..3	M UC = Ultimate customer's reference number
1154	end customer reference number	C an..70	C
Segment Notes: Example: RFF+UC:170393'			

* = Restricted Codes

St = Status
 EDIFACT: M=Mandatory, C=Conditional
 User specific: R=Required, O=Optional, D=Dependent,
 A=Advised, N=Not used, X=Not used

Segment Details

Segment number: 13

SG1	- C	9999 - Reference number	
RFF	- M	1 - Reference number of the customer	
Function: This segment is used to indicate the reference number of the customer.			
EDIFACT		EAN	
Tag	Name	St/Format	St * Usage
C506	REFERENCE	M	M
1153	Reference code qualifier	M an..3	M CR = Customer reference number
1154	Reference number of the customer	C an..70	C
Segment Notes: Example: RFF+CR:4711'			

* = Restricted Codes

St = Status
 EDIFACT: M=Mandatory, C=Conditional
 User specific: R=Required, O=Optional, D=Dependent,
 A=Advised, N=Not used, X=Not used

Segment Details

Segment number: 14

SG1	- C	9999 - Reference number			
RFF	- M	1 - Message batch number			
Function: The RFF + ALL contains the Message batch number.					
EDIFACT			EAN		
Tag	Name	St/Format	St	*	Usage
C506	REFERENCE	M	M		
1153	Reference code qualifier	M an..3	M		ALL = Message batch number
1154	Message batch number	C an..70	C		
Segment Notes: Example: RFF+ALL:0815'					

* = Restricted Codes

St = Status
 EDIFACT: M=Mandatory, C=Conditional
 User specific: R=Required, O=Optional, D=Dependent,
 A=Advised, N=Not used, X=Not used

Segment Details

Segment number: 15

SG1	- C	9999 - Reference number	
RFF	- M	1 - Reference number for an external consolidation	
Function: The RFF + ALL contains the Message batch number.			
EDIFACT		EAN	
Tag	Name	St/Format	St * Usage
C506	REFERENCE	M	M
1153	Reference code qualifier	M an..3	M ECN = External consolidation reference number (GS1 Code)
1154	Message batch number	C an..70	C
Segment Notes: The reference number for an external consolidation is only used in connection with the element CNT+10. Example: RFF+ECN:1508'			

* = Restricted Codes

St = Status
 EDIFACT: M=Mandatory, C=Conditional
 User specific: R=Required, O=Optional, D=Dependent,
 A=Advised, N=Not used, X=Not used

Segment Details

Segment number: 16

SG1	- C	9999 - Reference number	
RFF	- M	1 - Blanket order number	
Function: The RFF + BO contains the Blanket order number.			
EDIFACT		EAN	
Tag	Name	St/Format	St * Usage
C506	REFERENCE	M	M
1153	Reference code qualifier	M an..3	M BO = Blanket order number
1154	Blanket order number	C an..70	C
Segment Notes: Example: RFF+BO:0815'			

* = Restricted Codes

St = Status
 EDIFACT: M=Mandatory, C=Conditional
 User specific: R=Required, O=Optional, D=Dependent,
 A=Advised, N=Not used, X=Not used

Segment Details

Segment number: 17

SG2	- C	99 - Informations about the buyer	
NAD	- M	1 - Buyer identification	
Function: This segment is used to identify the buyer.			
EDIFACT		EAN	
Tag	Name	St/Format	St * Usage
3035	Party function code qualifier	M an..3	M BY = Buyer
C082	PARTY IDENTIFICATION DETAILS	C	C
3039	Party identifier	M an..35	M GLN of buyer
1131	Code list identification code	C an..17	N
3055	Code list responsible agency code	C an..3	C 9 = GS1
Segment Notes: Example: NAD+BY+4356987941132::9'			

* = Restricted Codes

St = Status
 EDIFACT: M=Mandatory, C=Conditional
 User specific: R=Required, O=Optional, D=Dependent,
 A=Advised, N=Not used, X=Not used

Segment Details

Segment number: 18

SG2	- C	99 - Informations about the buyer			
SG5	- C	5 - Buyer contact details			
CTA	- M	1 - Buyer contact person			
Function: This segment is used to specify a contact person or a department.					
EDIFACT			EAN		
Tag	Name	St/Format	St	*	Usage
3139	Contact function code	C an..3	C		OC = Order contact
C056	DEPARTMENT OR EMPLOYEE DETAILS	C	C		
3413	Department or employee name code	C an..17	C		Buyer contact person
3412	Department or employee name	C an..35	O		
Segment Notes: Example: CTA+OC+MEER'					

* = Restricted Codes

St = Status
 EDIFACT: M=Mandatory, C=Conditional
 User specific: R=Required, O=Optional, D=Dependent,
 A=Advised, N=Not used, X=Not used

Segment Details

Segment number: 19

SG2	- C	99 - Informations about the buyer	
SG5	- C	5 - Buyer contact details	
COM	- C	5 - Phone number	
Function:			
This segment is used to specify the phone number of the contact person or department.			
EDIFACT		EAN	
Tag	Name	St/Format	St * Usage
C076	COMMUNICATION CONTACT	M	M
3148	Phone number	M an..512	M
3155	Communication address code qualifier	M an..3	M TE = Telephone
Segment Notes:			
Example: COM+02210101:TE			

* = Restricted Codes

St = Status
 EDIFACT: M=Mandatory, C=Conditional
 User specific: R=Required, O=Optional, D=Dependent,
 A=Advised, N=Not used, X=Not used

Segment Details

Segment number: 20

SG2	- C	99 - Informations about the consignee			
NAD	- M	1 - Consignee identification			
Function: This segment is used to identify the consignee					
EDIFACT			EAN		
Tag	Name	St/Format	St	*	Usage
3035	Party function code qualifier	M an..3	M		DP = Delivery party
C082	PARTY IDENTIFICATION DETAILS	C	C		
3039	Party identifier	M an..35	M		GLN of consignee
1131	Code list identification code	C an..17	N		
3055	Code list responsible agency code	C an..3	C		9 = GS1
C058	NAME AND ADDRESS	C	N		
3124	Name and address description	M an..35	N		
C080	PARTY NAME	C	C		
3036	Party name	M an..35	M		
C059	STREET	C	C		
3042	Street and number or post office box identifier	M an..35	M		
3042	Street and number or post office box identifier	C an..35	C		
3164	City name	C an..35	C		
C819	COUNTRY SUB-ENTITY DETAILS	C	N		
3229	Country sub-entity name code	C an..9	N		
3251	Postal identification code	C an..17	C		
3207	Country name code	C an..3	C		DE = GERMANY
Segment Notes:					
Example: NAD+DP+4314318578080::9++goods recipient+street 1:street 2+city++postcode+DE					

* = Restricted Codes

St = Status
 EDIFACT: M=Mandatory, C=Conditional
 User specific: R=Required, O=Optional, D=Dependent,
 A=Advised, N=Not used, X=Not used

Segment Details

Segment number: 21

SG2	- C	99 - Informations about the supplier	
NAD	- M	1 - Supplier identification	
Function: This segment is used to identify the supplier			
EDIFACT		EAN	
Tag	Name	St/Format	St * Usage
3035	Party function code qualifier	M an..3	M SU = Supplier
C082	PARTY IDENTIFICATION DETAILS	C	C
3039	Party identifier	M an..35	M GLN of supplier
1131	Code list identification code	C an..17	N
3055	Code list responsible agency code	C an..3	C 9 = GS1
Segment Notes: Example: NAD+SU+4398465213564::9'			

* = Restricted Codes

St = Status
 EDIFACT: M=Mandatory, C=Conditional
 User specific: R=Required, O=Optional, D=Dependent,
 A=Advised, N=Not used, X=Not used

Segment Details

Segment number: 22

SG2	- C	99 - Informations about the supplier			
SG3	- C	99 - RFF			
RFF	- M	1 - Reference about the supplier			
Function: This segment is used to specify more informations about the supplier.					
EDIFACT			EAN		
Tag	Name	St/Format	St	*	Usage
C506	REFERENCE	M	M		
1153	Reference code qualifier	M an..3	M		YC1 = Additional party identification (GS1 Code)
1154	Reference identifier	C an..70	M		
Segment Notes: Example: RFF+YC1:76231412'					

* = Restricted Codes

St = Status
 EDIFACT: M=Mandatory, C=Conditional
 User specific: R=Required, O=Optional, D=Dependent,
 A=Advised, N=Not used, X=Not used

Segment Details

Segment number: 23

SG2	- C	99 - Informations about the ultimate consignee	
NAD	- M	1 - Ultimate consignee identification	
Function: This segment is used to identify the ultimate consignee.			
EDIFACT		EAN	
Tag	Name	St/Format	St * Usage
3035	Party function code qualifier	M an..3	M UC = Ultimate consignee
C082	PARTY IDENTIFICATION DETAILS	C	C
3039	Party identifier	M an..35	M GLN of ultimate consignee
1131	Code list identification code	C an..17	N
3055	Code list responsible agency code	C an..3	C 9 = GS1
Segment Notes: Example: NAD+UC+4314318578080::9'			

* = Restricted Codes

St = Status
 EDIFACT: M=Mandatory, C=Conditional
 User specific: R=Required, O=Optional, D=Dependent,
 A=Advised, N=Not used, X=Not used

Segment Details

Segment number: 24

SG2	- C	99 - Informations about the ultimate consignee	
SG3	- C	99 - RFF	
RFF	- M	1 - Reference to the Ultimate consignee	
Function: The RFF+YCI can be used for additional information about the partner identification.			
EDIFACT		EAN	
Tag	Name	St/Format	St * Usage
C506	REFERENCE	M	M
1153	Reference code qualifier	M an..3	M YC1 = Additional party identification (GS1 Code)
1154	Reference identifier	C an..70	C
Segment Notes: Example: RFF+YC1:76231412'			

* = Restricted Codes

St = Status
 EDIFACT: M=Mandatory, C=Conditional
 User specific: R=Required, O=Optional, D=Dependent,
 A=Advised, N=Not used, X=Not used

Segment Details

Segment number: 25

SG2	- C	99 - Informations about the invoice recipient	
NAD	- M	1 - Invoice recipient identification	
Function: This segment is used to identify the invoice recipient.			
EDIFACT		EAN	
Tag	Name	St/Format	St * Usage
3035	Party function code qualifier	M an..3	M IV = Invoicee
C082	PARTY IDENTIFICATION DETAILS	C	C
3039	Party identifier	M an..35	M GLN of the invoice recipient
1131	Code list identification code	C an..17	N
3055	Code list responsible agency code	C an..3	C 9 = GS1
Segment Notes: Example: NAD+IV+431156000000::9'			

* = Restricted Codes

St = Status
 EDIFACT: M=Mandatory, C=Conditional
 User specific: R=Required, O=Optional, D=Dependent,
 A=Advised, N=Not used, X=Not used

Segment Details

Segment number: 26

SG2	- O	99 - carrier information			
NAD	- M	1 - Identification of the carrier			
Function: The NAD segment is used to specify the identification of a carrier.					
EDIFACT			EAN		
Tag	Name	St/Format	St	*	Usage
3035	Party function code qualifier	M an..3	M		CA = Carrier
C082	IDENTIFICATION OF THE CARRIER.	C	C		
3039	GLN of the carrier	M an..35	M		
1131	Code list identification code	C an..17	N		
3055	Code list responsible agency code	C an..3	C		9 = GS1
Segment Notes: Example: NAD+CA+4033988000003::9'					

* = Restricted Codes

St = Status
 EDIFACT: M=Mandatory, C=Conditional
 User specific: R=Required, O=Optional, D=Dependent,
 A=Advised, N=Not used, X=Not used

Segment Details

Segment number: 27

SG2	- O	99 - Information about the transfer point	
NAD	- M	1 - Identification of the transfer point - partner with whom the goods are to be picked up or taken over (i.e. if they differ from the sender).	
Function: The NAD segment is used to indicate the identification of Despatch party.			
EDIFACT		EAN	
Tag	Name	St/Format	St * Usage
3035	Party function code qualifier	M an..3	M PW = Despatch party
C082	IDENTIFICATION OF DESPATCH PARTY.	C	C
3039	GLN of Despatch party.	M an..35	M
1131	Code list identification code	C an..17	N
3055	Code list responsible agency code	C an..3	C 9 = GS1
Segment Notes: Example: NAD+PW+403398800003::9'			

* = Restricted Codes

St = Status
 EDIFACT: M=Mandatory, C=Conditional
 User specific: R=Required, O=Optional, D=Dependent,
 A=Advised, N=Not used, X=Not used

Segment Details

Segment number: 28

SG12	- C	5 - Terms of transportation or delivery
TOD	- M	1 - Terms of delivery
Function: This segment is used to specify the terms of delivery		
EDIFACT		EAN
Tag	Name	St * Usage
4055	Delivery or transport terms function code	C an..3 4 = Collected by customer
Segment Notes: Example: TOD+4'		

* = Restricted Codes

St = Status
 EDIFACT: M=Mandatory, C=Conditional
 User specific: R=Required, O=Optional, D=Dependent,
 A=Advised, N=Not used, X=Not used

Segment Details

Segment number: 29

SG12	- C	5 - TOD			
TOD	- M	1 - Terms of delivery or transport			
Function: This segment is used to indicate delivery conditions.					
EDIFACT			EAN		
Tag	Name	St/Format	St	*	Usage
4055	Delivery or transport terms function code	C an..3	C		6 = Delivery condition
4215	Transport charges payment method code	C an..3	C		CC = Collect
C100	TERMS OF DELIVERY OR TRANSPORT	C	C		
4053	Delivery or transport terms description code	C an..3	C		EXW = Ex works
Segment Notes: Example: TOD+6+CC+EXW'					

* = Restricted Codes

St = Status
 EDIFACT: M=Mandatory, C=Conditional
 User specific: R=Required, O=Optional, D=Dependent,
 A=Advised, N=Not used, X=Not used

Segment Details

Segment number: 30

SG28	- C	200000	- Purchase Order Detail Section	
LIN	- M	1	- Line item detail section	
Function: This segment shows the beginning of the order detail section.				
EDIFACT			EAN	
Tag	Name	St/Format	St	* Usage
1082	Line item identifier	C an..6	C	Number of position inside the order assigned by the program.
1229	Action request/notification description code	C an..3	N	
C212	ITEM NUMBER IDENTIFICATION	C	C	
7140	Item identifier	C an..35	C	item number
7143	Item type identification code	C an..3	C	SRV = GS1 Global Trade Item Number
Segment Notes: This Segment group may be repeated to give line details which always have to begin with LIN-segments. Example: LIN+10++4356497841235:SRV'				

* = Restricted Codes

St = Status
 EDIFACT: M=Mandatory, C=Conditional
 User specific: R=Required, O=Optional, D=Dependent,
 A=Advised, N=Not used, X=Not used

Segment Details

Segment number: 31

SG28	- C	200000	- Purchase Order Detail Section	
PIA	- C	25	- Additional product identification	
Function: This segment is used to specify additional product identifications.				
EDIFACT			EAN	
Tag	Name	St/Format	St	* Usage
4347	Product identifier code qualifier	M an..3	M	1 = Additional identification
C212	ITEM NUMBER IDENTIFICATION	M	M	
7140	Item number of the buyer	C an..35	C	
7143	Item type identification code	C an..3	C	BP = Buyer's part number
1131	Code list identification code	C an..17	N	
3055	Code list responsible agency code	C an..3	C	92 = Assigned by buyer or buyer's agent
Segment Notes: Example: PIA+1+ART12398745:BP::92'				

* = Restricted Codes

St = Status
 EDIFACT: M=Mandatory, C=Conditional
 User specific: R=Required, O=Optional, D=Dependent,
 A=Advised, N=Not used, X=Not used

Segment Details

Segment number: 32

SG28	- C	200000	- Purchase Order Detail Section	
PIA	- C	25	- Additional product identification	
Function: This segment is used to specify additional or substitutional item identification codes.				
EDIFACT			EAN	
Tag	Name	St/Format	St	* Usage
4347	Product identifier code qualifier	M an..3	M	1 = Additional identification
C212	ITEM NUMBER IDENTIFICATION	M	M	
7140	Item identifier	C an..35	C	
7143	Item type identification code	C an..3	C	SRV = GS1 Global Trade Item Number
1131	Code list identification code	C an..17	N	
3055	Code list responsible agency code	C an..3	C	9 = GS1
Segment Notes: The original GTIN must be included in the LIN-segment. This additional GTIN in this segment is for other quantity units and will be used in special cases. Example: PIA+1+4123545788555:SRV::9'				

* = Restricted Codes

St = Status
EDIFACT: M=Mandatory, C=Conditional
User specific: R=Required, O=Optional, D=Dependent,
A=Advised, N=Not used, X=Not used

Segment Details

Segment number: 33

SG28	- C	200000	- Purchase Order Detail Section	
PIA	- C	25	- Additional product identification	
Function: This segment is used to specify additional or substitutional item identification codes.				
EDIFACT			EAN	
Tag	Name	St/Format	St	* Usage
4347	Product identifier code qualifier	M an..3	M	
C212	ITEM NUMBER IDENTIFICATION	M	M	
7140	Item identifier	C an..35	C	Supplier item number
7143	Item type identification code	C an..3	C	SA = Supplier's article number
1131	Code list identification code	C an..17	N	
3055	Code list responsible agency code	C an..3	C	91 = Assigned by supplier or supplier's agent
Segment Notes: Example: PIA+1+4123545788555:SA::91'				

* = Restricted Codes

St = Status
 EDIFACT: M=Mandatory, C=Conditional
 User specific: R=Required, O=Optional, D=Dependent,
 A=Advised, N=Not used, X=Not used

Segment Details

Segment number: 34

SG28	- C	200000	- Purchase Order Detail Section	
IMD	- C	99	- product-/performance discription	
Function:				
This segment is used to describe the current line item				
EDIFACT			EAN	
Tag	Name	St/Format	St	* Usage
7077	Description format code	C an..3	C	F = Free-form
C272	ITEM CHARACTERISTIC	C	N	
7081	Item characteristic code	C an..3	N	
C273	ITEM DESCRIPTION	C	C	
7009	Item description code	C an..17	N	
1131	Code list identification code	C an..17	N	
3055	Code list responsible agency code	C an..3	N	
7008	Item description	C an..256	C	item description 1 Format an..140
7008	Item description 2	C an..256	C	Format an..140
Segment Notes:				
Example: IMD+F+:::EDK Avocados Hass RTE CL I: 12 ST 285 -313 g EPS 104'				

* = Restricted Codes

St = Status
 EDIFACT: M=Mandatory, C=Conditional
 User specific: R=Required, O=Optional, D=Dependent,
 A=Advised, N=Not used, X=Not used

Segment Details

Segment number: 35

SG28 - C 200000 - Purchase Order Detail Section					
QTY - C 99 - Ordered quantity					
Function: This segment is used to specify the total quantity ordered for the current line identified in the LIN segment.					
EDIFACT			EAN		
Tag	Name	St/Format	St	*	Usage
C186	QUANTITY DETAILS	M	M		
6063	Quantity type code qualifier	M an..3	M		21 = Ordered quantity
6060	Quantity	M an..35	M		ordered quantity
Segment Notes: Example: QTY+21:100'					

* = Restricted Codes

St = Status
 EDIFACT: M=Mandatory, C=Conditional
 User specific: R=Required, O=Optional, D=Dependent,
 A=Advised, N=Not used, X=Not used

Segment Details

Segment number: 36

SG28 - C 200000 - Purchase Order Detail Section					
DTM - C 35 - Requested date of delivery					
Function: This segment is used to specify the requested date of delivery.					
EDIFACT			EAN		
Tag	Name	St/Format	St	*	Usage
C507	DATE/TIME/PERIOD	M	M		
2005	Date or time or period function code qualifier	M an..3	M		2 = Delivery date/time, requested
2380	Date or time or period value	C an..35	C		Requested date of delivery
2379	Date or time or period format code	C an..3	C		102 = CCYYMMDD
Segment Notes: Example: DTM+2:20200520:102'					

* = Restricted Codes

St = Status
 EDIFACT: M=Mandatory, C=Conditional
 User specific: R=Required, O=Optional, D=Dependent,
 A=Advised, N=Not used, X=Not used

Segment Details

Segment number: 37

SG28	- C	200000	- Purchase Order Detail Section	
SG32	- C	25	- Informations about the prices and currencies	
PRI	- M	1	- Price specification	
Function: This segment is used to specify price informations.				
EDIFACT			EAN	
Tag	Name	St/Format	St	* Usage
C509	PRICE INFORMATION	C	C	
5125	Price code qualifier	M an..3	M	AAA = Calculation net
5118	Price amount	C n..15	C	
5375	Price type code	C an..3	N	
5387	Price specification code	C an..3	N	
5284	Unit price basis value	C n..9	N	
6411	Measurement unit code	C an..3	C	KGM = kilogram GRM = gram
Segment Notes: Example: PRI+AAA:14.58:::1:KGM'				

* = Restricted Codes

St = Status
EDIFACT: M=Mandatory, C=Conditional
User specific: R=Required, O=Optional, D=Dependent,
A=Advised, N=Not used, X=Not used

Segment Details

Segment number: 38

SG28	- C	200000	- Purchase Order Detail Section	
SG33	- C	9999	- Reference	
RFF	- M	1	- promotion number	
Function: This segment is used to specify a promotion number.				
EDIFACT			EAN	
Tag	Name	St/Format	St	* Usage
C506	REFERENCE	M	M	
1153	Reference code qualifier	M an..3	M	PD = Promotion deal number
1154	promotion deal number	C an..70	C	
Segment Notes: Example: RFF+PD:123456'				

* = Restricted Codes

St = Status
 EDIFACT: M=Mandatory, C=Conditional
 User specific: R=Required, O=Optional, D=Dependent,
 A=Advised, N=Not used, X=Not used

Segment Details

Segment number: 39

SG28	- C	200000	- Purchase Order Detail Section	
SG33	- C	9999	- reference information	
RFF	- M	1	- Ultimate customer's reference number	
Function: Used to specify the ultimate customer's reference number				
EDIFACT			EAN	
Tag	Name	St/Format	St	* Usage
C506	REFERENCE	M	M	
1153	Reference code qualifier	M an..3	M	UC = Ultimate customer's reference number
1154	Ultimate customer's reference number	C an..70	C	
Segment Notes: Example: RFF+UC:170068'				

* = Restricted Codes

St = Status
 EDIFACT: M=Mandatory, C=Conditional
 User specific: R=Required, O=Optional, D=Dependent,
 A=Advised, N=Not used, X=Not used

Segment Details

Segment number: 40

SG28	- C	200000	- Purchase Order Detail Section	
SG33	- C	9999	- reference information	
RFF	- M	1	- Additional reference number	
Function: Used to specify an additional reference number				
EDIFACT			EAN	
Tag	Name	St/Format	St	* Usage
C506	REFERENCE	M	M	
1153	Reference code qualifier	M an..3	M	ACD = Additional reference number
1154	Additional reference number	C an..70	C	"00" = pallet customer / "01" = roll container customer
Segment Notes: Example: RFF+ACD:01'				

* = Restricted Codes

St = Status
 EDIFACT: M=Mandatory, C=Conditional
 User specific: R=Required, O=Optional, D=Dependent,
 A=Advised, N=Not used, X=Not used

Segment Details

Segment number: 41

SG28	- C	200000	- Purchase Order Detail Section	
SG39	- C	999	- Declaration of ultimate consignee	
NAD	- M	1	- Identification of ultimate consignee	
Function:				
This segment is used to identify the ultimate consignee.				
EDIFACT			EAN	
Tag	Name	St/Format	St	* Usage
3035	Party function code qualifier	M an..3	M	UC = Ultimate consignee
C082	PARTY IDENTIFICATION DETAILS	C	C	
3039	Party identifier	M an..35	M	GLN of the ultimate consignee
1131	Code list identification code	C an..17	N	
3055	Code list responsible agency code	C an..3	C	9 = GS1
C058	NAME AND ADDRESS	C	N	
3124	Name and address description	M an..35	N	
C080	PARTY NAME	C	C	
3036	Party name	M an..35	M	ultimate consignee name 1
3036	Party name	C an..35	N	
3036	Party name	C an..35	C	ultimate consignee name 3
3036	Party name	C an..35	C	
C059	STREET	C	C	
3042	Street and number or post office box identifier	M an..35	M	ultimate consignee address part: street
3164	City name	C an..35	C	ultimate consignee address part: city
C819	COUNTRY SUB-ENTITY DETAILS	C	C	
3229	Country sub-entity name code	C an..9	C	ultimate consignee address part: region / province, code
3251	Postal identification code	C an..17	C	ultimate consignee address part: postal code
3207	Country name code	C an..3	C	ultimate consignee address part: country code p.e.: DE = GERMANY
Segment Notes:				
Example: NAD+UC+4314318578080::9++Ultimate consignee Name::Name 3:Name 4+Street+City++Postcode+DE				

* = Restricted Codes

St = Status
 EDIFACT: M=Mandatory, C=Conditional
 User specific: R=Required, O=Optional, D=Dependent,
 A=Advised, N=Not used, X=Not used

Segment Details

Segment number: 42

SG28	- C	200000	- Purchase Order Detail Section	
SG39	- C	999	- Identification of the supplier	
NAD	- M	1	- Identification of the supplier	
Function: This segment is used to identify the supplier.				
EDIFACT			EAN	
Tag	Name	St/Format	St	* Usage
3035	Party function code qualifier	M an..3	M	SU = Supplier
C082	PARTY IDENTIFICATION DETAILS	C	C	
3039	GLN of the supplier	M an..35	M	
1131	Code list identification code	C an..17	N	
3055	Code list responsible agency code	C an..3	C	9 = GS1
Segment Notes: Example: NAD+SU+4311502990185::9'				

* = Restricted Codes

St = Status
 EDIFACT: M=Mandatory, C=Conditional
 User specific: R=Required, O=Optional, D=Dependent,
 A=Advised, N=Not used, X=Not used

Segment Details

Segment number: 43

UNS - M 1 - Section control					
Function: This segment is used to separate the detail- and the summary section of the message.					
EDIFACT			EAN		
Tag	Name	St/Format	St	*	Usage
0081	Section identification	M a1	M		S = Detail/summary section separation
Segment Notes: Example: UNS+S'					

* = Restricted Codes

St = Status
 EDIFACT: M=Mandatory, C=Conditional
 User specific: R=Required, O=Optional, D=Dependent,
 A=Advised, N=Not used, X=Not used

Segment Details

Segment number: 44

CNT - C 10 - Means of transportation total count					
Function: The segment CNT with qualifier 16 is used to specify the total count for means of transportation.					
EDIFACT			EAN		
Tag	Name	St/Format	St	*	Usage
C270	CONTROL	M	M		
6069	Control total type code qualifier	M an..3	M		16 = Total number of equipment
6066	Control total value	M n..18	M		
Segment Notes: Example: CNT+16:33'					

* = Restricted Codes

St = Status
 EDIFACT: M=Mandatory, C=Conditional
 User specific: R=Required, O=Optional, D=Dependent,
 A=Advised, N=Not used, X=Not used

Segment Details

Segment number: 45

CNT - C 10 - Total gross w eight					
Function: The segment CNT with qualifier 7 is used to specify the total gross weight.					
EDIFACT			EAN		
Tag	Name	St/Format	St	*	Usage
C270	CONTROL	M	M		
6069	Control total type code qualifier	M an..3	M		7 = Total gross weight
6066	Control total value	M n..18	M		
Segment Notes: Example: CNT+7:125'					

* = Restricted Codes

St = Status
 EDIFACT: M=Mandatory, C=Conditional
 User specific: R=Required, O=Optional, D=Dependent,
 A=Advised, N=Not used, X=Not used

Segment Details

Segment number: 46

CNT - C 10 - Total number of consignments					
Function: The CNT + 10 show s the total number of consignments					
EDIFACT			EAN		
Tag	Name	St/Format	St	*	Usage
C270	CONTROL	M	M		
6069	Control total type code qualifier	M an..3	M		10 = Total number of consignments
6066	Control total value	M n..18	M		
Segment Notes: The total number of consignments is only given in connection w ith the element RFF + ECN. Example: CNT+10:2'					

* = Restricted Codes

St = Status
EDIFACT: M=Mandatory, C=Conditional
User specific: R=Required, O=Optional, D=Dependent,
A=Advised, N=Not used, X=Not used

Segment Details

Segment number: 47

UNT - M 1 - Message trailer					
Function: This segment is used at the end of the message and to verify the completeness.					
EDIFACT			EAN		
Tag	Name	St/Format	St	*	Usage
0074	Number of segments in a message	M n..10	M		The total count of segments inside the message.
0062	Message reference number	M an..14	M		The reference number by the UNH-segment must be repeated.
Segment Notes: The UNT-segment must be filled in UN/EDIFACT and must be the last segment in a message. Example: UNT+45+1'					

* = Restricted Codes

St = Status
 EDIFACT: M=Mandatory, C=Conditional
 User specific: R=Required, O=Optional, D=Dependent,
 A=Advised, N=Not used, X=Not used

Segment Details

Segment number: 48

UNZ - M 1 - Interchange trailer					
Function: This segment is used at the end of interchange and to verify the completeness.					
EDIFACT			EAN		
Tag	Name	St/Format	St	*	Usage
0036	Interchange control count	M n..6	M		Count of messages or groups of messages in the interchange.
0020	Interchange control reference	M an..14	M		Identical to DE 0020 inside the UNB-segment.
Segment Notes: Example: UNZ+1+4'					

* = Restricted Codes

St = Status
 EDIFACT: M=Mandatory, C=Conditional
 User specific: R=Required, O=Optional, D=Dependent,
 A=Advised, N=Not used, X=Not used

Sample message

No	Tag	Example
01	UNA	UNA:+.?'
02	UNB	UNB+UNOC:3+4311501990018:14+4398765431249:14:ROUTING+200518:0927+4+++++1'
03	UNH	UNH+1+ORDERS:D:01B:UN:EAN010'
04	BGM	BGM+220+12345678+9'
05	DTM	DTM+137:20200518:102'
06	DTM	DTM+2:20200520:102' DTM+2:202005201515:203'
07	DTM	DTM+64:0303:401'
08	DTM	DTM+63:0404:401'
09	DTM	DTM+200:20200519:102'
10	DTM	DTM+10:202005181515:203'
	SG1	
11	RFF	RFF+ABO:613851324'
	SG1	
12	RFF	RFF+UC:170393'
	SG1	
13	RFF	RFF+CR:4711'
	SG1	
14	RFF	RFF+ALL:0815'
	SG1	
15	RFF	RFF+ECN:1508'
	SG1	
16	RFF	RFF+BO:0815'
	SG2	
17	NAD	NAD+BY+4356987941132::9'
	SG5	
18	CTA	CTA+OC+MEIER'
19	COM	COM+02210101:TE
	SG2	
20	NAD	NAD+DP+4314318578080::9++aoods recipient+street 1:street 2+city++postcode+DE
	SG2	
21	NAD	NAD+SU+4398465213564::9'
	SG3	
22	RFF	RFF+YC1:76231412'
	SG2	
23	NAD	NAD+UC+4314318578080::9'
	SG3	
24	RFF	RFF+YC1:76231412'
	SG2	
25	NAD	NAD+IV+4311560000000::9'
	SG2	
26	NAD	NAD+CA+4033988000003::9'
	SG2	
27	NAD	NAD+PW+4033988000003::9'
	SG12	
28	TOD	TOD+4'
	SG12	
29	TOD	TOD+6+CC+EXW'
	SG28	
30	LIN	LIN+10++4356497841235:SRV'
31	PIA	PIA+1+ART12398745:BP:92'

No = Consecutive segment number

Sample message

No	Tag	Example
32	PIA	PIA+1+4123545788555:SRV::9'
33	PIA	PIA+1+4123545788555:SA::91'
34	IMD	IMD+F++:::EDK Avocados Hass RTE CL I: 12 ST 285 -313 q EPS 104'
35	QTY	QTY+21:100'
36	DTM	DTM+2:20200520:102'
	SG32	
37	PRI	PRI+AAA:14.58:::1:KGM'
	SG33	
38	RFF	RFF+PD:123456'
	SG33	
39	RFF	RFF+UC:170068'
	SG33	
40	RFF	RFF+ACD:01'
	SG39	
41	NAD	NAD+UC+4314318578080::9++Ultimate consignee Name::Name 3:Name 4+Street+City++Postcode+DE'
	SG39	
42	NAD	NAD+SU+4311502990185::9'
43	UNS	UNS+S'
44	CNT	CNT+16:33'
45	CNT	CNT+7:125'
46	CNT	CNT+10:2'
47	UNT	UNT+45+1'
48	UNZ	UNZ+1+4'

No = Consecutive segment number