
Message Implementation Guideline

EDEKA DESADV RCV

based on

DESADV

Despatch advice message

EANCOM D.96A

Version: D96A

Variant: 2.6

Issue date: 11.10.2021

Author: EDEKA Digital GmbH



Table of Contents

St = Status

EDIFACT: M=Muss/Mandatory, C=Conditional

Anwendung: R=Erforderlich/Required, O=Optional, D=Abhängig von/Dependent, A=Empfohlen/Advised, N=Nicht benutzt/Not used,

X=Nicht benutzt/Not used

Message Structure Chart

UNA	1	C	1	- Service string advice
UNB	2	M	1	- Interchange header
UNH	3	M	1	- MESSAGE HEADER
BGM	4	M	1	- Beginning of message
DTM	5	M	1	- Document / message date
DTM	6	O	1	- Shipping date
DTM	7	R	1	- Delivery date, requested
DTM	8	R	1	- Delivery date, estimated
DTM	9	O	1	- Load pick-up
SG1		M	1	- Order number reference
RFF	10	M	1	- Order Number (Buyer)
SG1		O	1	- Reference to the order number
RFF	11	M	1	- Order Number (Supplier)
SG1		R	1	- Reference to the delivery note number
RFF	12	M	1	- Delivery Receipt Number
SG1		O	1	- Reference to the scheduling agreement number
RFF	13	M	1	- Delivery Schedule Number
SG1		O	1	- Reference to the loading / transport identification number
RFF	14	M	1	- Loading / transport identification number
SG2		R	1	- Buyer
NAD	15	M	1	- Name and address of buyer
SG2		C	10	- invoice recipient
NAD	16	M	1	- Name and address of invoice recipient
SG2		C	10	- transfer point - partner
NAD	17	M	1	- Identification of the transfer point - partner with whom the goods are to be picked up or taken over (i.e. if they differ from the sender).
SG2		C	10	- consignee
NAD	18	M	1	- Consignee identification
SG2		C	10	- ultimate consignee
NAD	19	M	1	- Informations about the ultimate consignee
SG2		C	10	- Supplier
NAD	20	M	1	- Supplier identification
SG2		C	10	- Carrier
NAD	21	M	1	- Identification of the carrier
SG8		C	10	- EQD-MEA-SEL
EQD	22	M	1	- Unit of equipment
MEA	23	C	5	- Measurements
SEL	24	C	25	- Seal number
SG10		C	9999	- CPS-SG11
CPS	25	M	1	- Consignment packing sequence
SG11		C	9999	- PAC-MEA-SG13-SG13
PAC	26	M	1	- Number of packages (shipping units)
MEA	27	C	10	- Measurements
SG13		C	1000	- PCI-SG14
PCI	28	M	1	- Package marking with SSCC (consignment)
SG14		C	99	- GIN
GIN	29	M	1	- Shipping unit number (SSCC)
SG13		C	1000	- PCI
PCI	30	M	1	- Package identification with package number (shipment)
SG10		C	9999	- CPS-SG11
CPS	31	M	1	- Consignment packing sequence
SG11		C	9999	- PAC-MEA-SG13-SG13
PAC	32	M	1	- Number of packages (shipment)
MEA	33	C	10	- Measurements

St = Status

EDIFACT: M=Mandatory, C=Conditional

User specific: R=Required, O=Optional, D=Dependent, A=Advised, N=Not used, X=Not used

Message Structure Chart

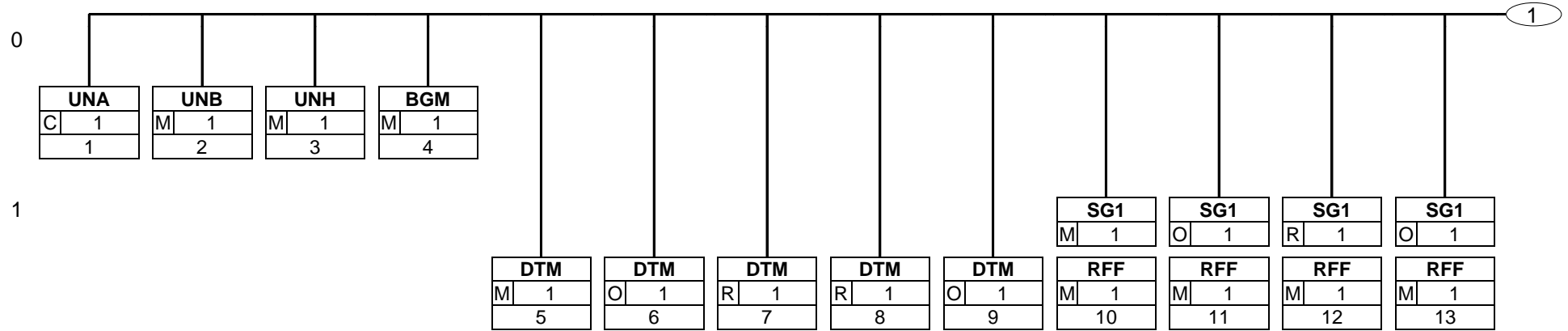
SG13	C	1000	- PCI
PCI	34	M	1 - Package identification with package number (shipment)
SG13	D	1000	- PCI-SG14-SG14
PCI	35	M	1 - Identification with the pallet number (shipment)
SG14	C	99	- GIN
GIN	36	M	1 - Shipping unit number (SSCC)
SG14	D	99	- GIN
GIN	37	M	1 - Pallet number
SG10	C	9999	- CPS-SG11-SG15
CPS	38	M	1 - Consignment packing sequence
SG11	C	9999	- PAC-MEA-SG13
PAC	39	M	1 - Number of packages (shipment)
MEA	40	C	10 - Measurements
SG13	D	1000	- PCI-SG14
PCI	41	M	1 - Package identification with package number (shipment)
SG14	D	99	- GIN
GIN	42	M	1 - Shipping unit number (SSCC)
SG15	C	9999	- LIN-PIA-PIA-PIA-PIA-IMD-MEA-MEA-MEA-QTY-SG16-SG16-SG20-SG23
LIN	43	M	1 - Line item
PIA	44	C	10 - Supplier part number
PIA	45	C	10 - Supplier article number
PIA	46	C	10 - Item number of the buyer
PIA	47	C	10 - Promotional goods
IMD	48	C	25 - Product / service description (free text)
MEA	49	C	10 - Measurements
MEA	50	C	10 - Measurements
MEA	51	C	10 - Measurements
QTY	52	C	10 - Quantity
SG16	C	10	- RFF
RFF	53	M	1 - Order / order number (buyer)
SG16	C	10	- RFF
RFF	54	M	1 - Delivery note number (supplier)
SG20	C	9999	- PCI-DTM-SG21
PCI	55	M	1 - Package identification
DTM	56	C	5 - Best before date
SG21	C	10	- GIN
GIN	57	M	1 - Serial number / batch number
SG23	C	10	- QVR
QVR	58	M	1 - Quantity variances
UNT	59	M	1 - MESSAGE TRAILER
UNZ	60	M	1 - INTERCHANGE TRAILER

St = Status

EDIFACT: M=Mandatory, C=Conditional

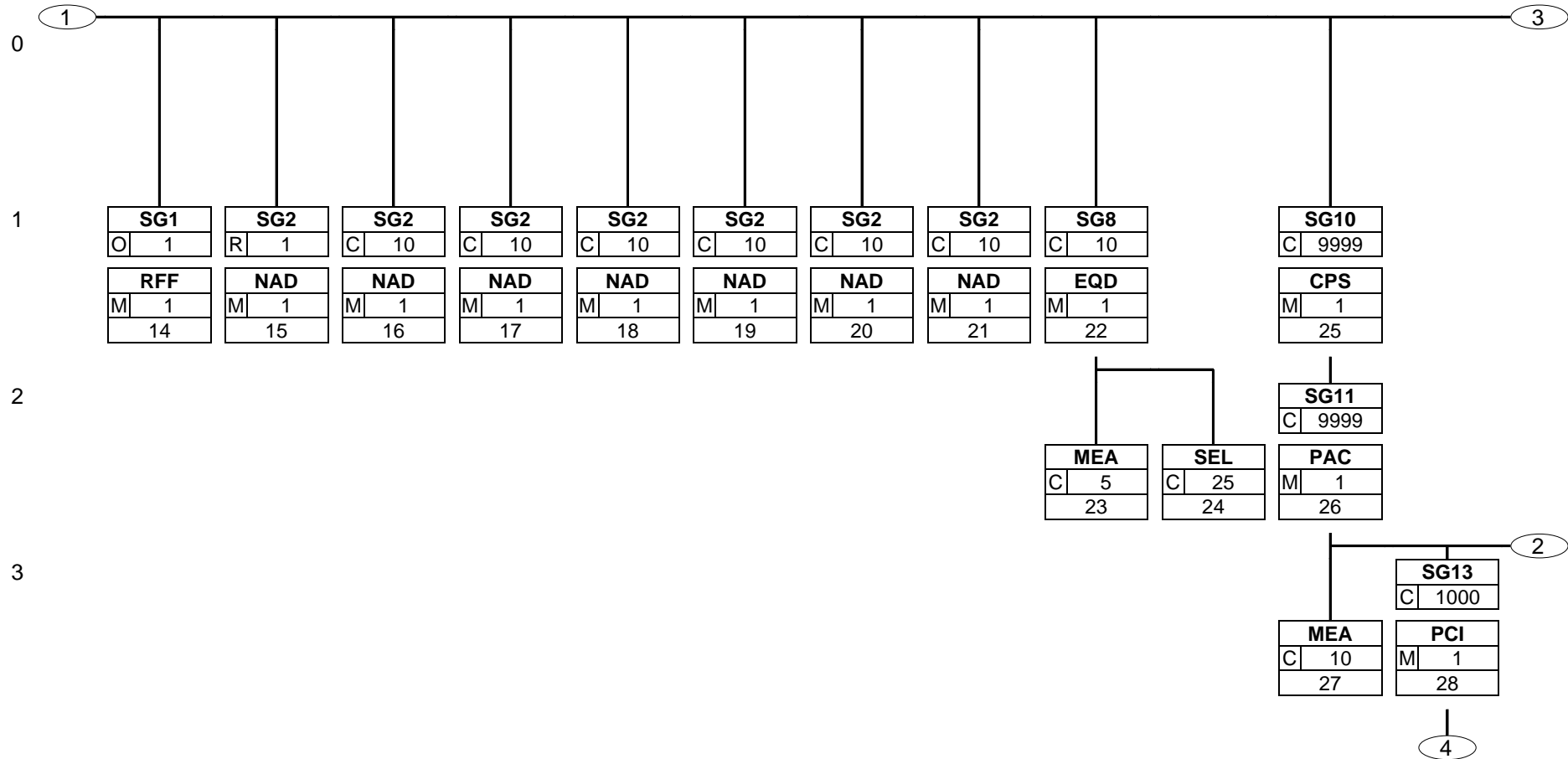
User specific: R=Required, O=Optional, D=Dependent, A=Advised, N=Not used, X=Not used

DESADV Despatch advice message
Branching Diagram



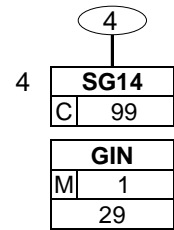
Status: M=Mandatory, C=Conditional, R=Required, O=Optional, D=Dependent, A=Advised, N=Not used, X=Not used

Branching Diagram

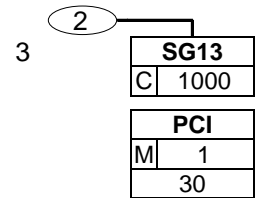


Status: M=Mandatory, C=Conditional, R=Required, O=Optional, D=Dependent, A=Advised, N=Not used, X=Not used

DESADV Despatch advice message
Branching Diagram

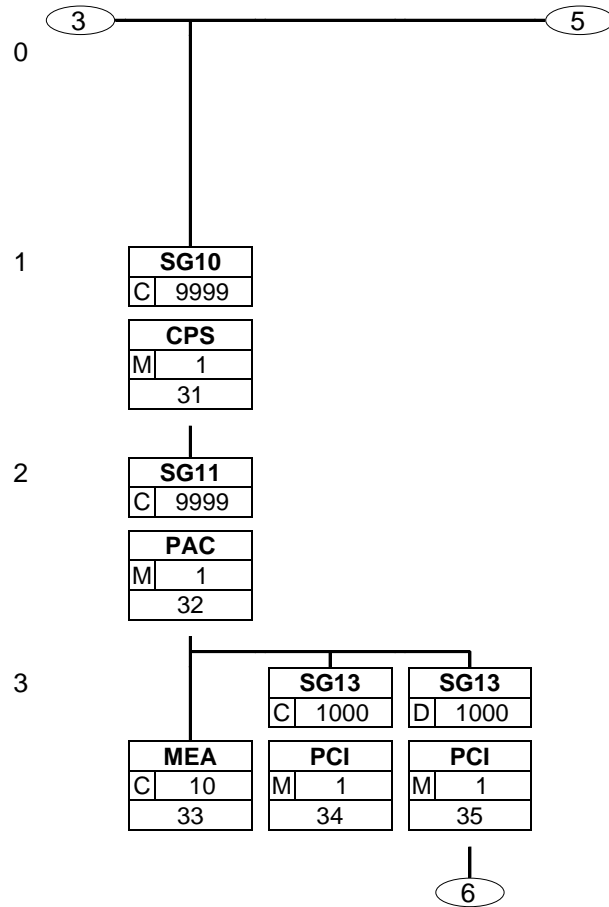


Status: M=Mandatory, C=Conditional, R=Required, O=Optional, D=Dependent, A=Advised, N=Not used, X=Not used



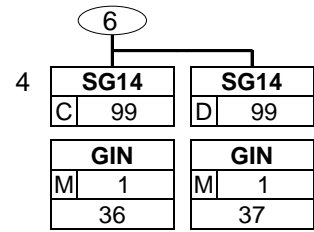
Status: M=Mandatory, C=Conditional, R=Required, O=Optional, D=Dependent, A=Advised, N=Not used, X=Not used

Branching Diagram



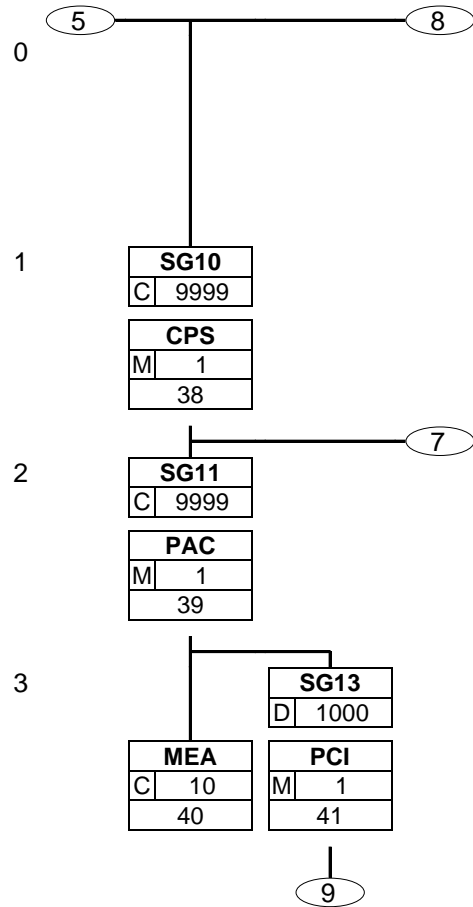
Status: M=Mandatory, C=Conditional, R=Required, O=Optional, D=Dependent, A=Advised, N=Not used, X=Not used

DESADV Despatch advice message
Branching Diagram



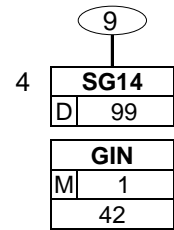
Status: M=Mandatory, C=Conditional, R=Required, O=Optional, D=Dependent, A=Advised, N=Not used, X=Not used

Branching Diagram



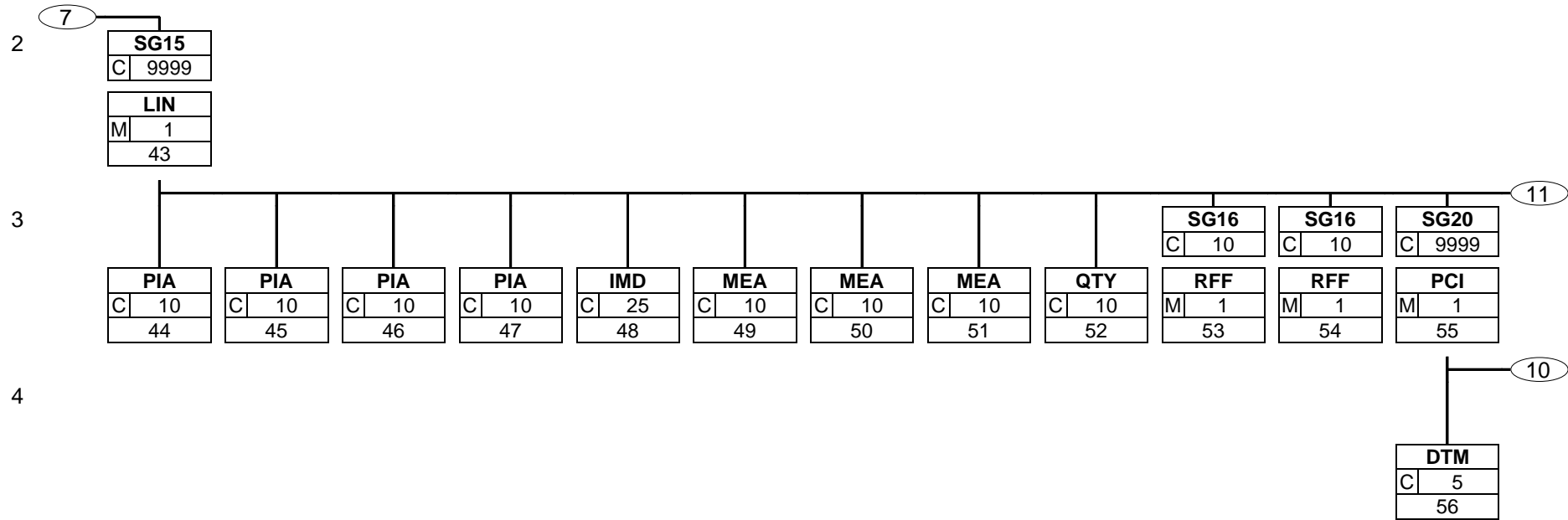
Status: M=Mandatory, C=Conditional, R=Required, O=Optional, D=Dependent, A=Advised, N=Not used, X=Not used

DESADV Despatch advice message
Branching Diagram

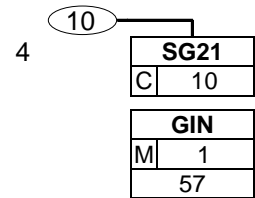


Status: M=Mandatory, C=Conditional, R=Required, O=Optional, D=Dependent, A=Advised, N=Not used, X=Not used

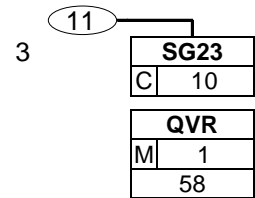
DESADV Despatch advice message
Branching Diagram



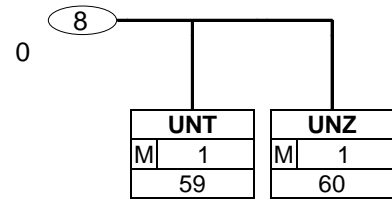
Status: M=Mandatory, C=Conditional, R=Required, O=Optional, D=Dependent, A=Advised, N=Not used, X=Not used



Status: M=Mandatory, C=Conditional, R=Required, O=Optional, D=Dependent, A=Advised, N=Not used, X=Not used



Status: M=Mandatory, C=Conditional, R=Required, O=Optional, D=Dependent, A=Advised, N=Not used, X=Not used



Status: M=Mandatory, C=Conditional, R=Required, O=Optional, D=Dependent, A=Advised, N=Not used, X=Not used

Segment Details

Segment number: 1

UNA - C 1 - Service string advice					
Function: This segment is used to inform the receiver of the interchange that a set of service string characters which are different to the default characters are being used.					
EDIFACT			EAN		
Tag	Name	St/Format	St	*	Usage
UNA1	Component data element separator	M an1	M		default value: ":"
UNA2	Data element separator	M an1	M		default value: "+"
UNA3	Decimal notation	M an1	M		default value: "."
UNA4	Release indicator	M an1	M		default value: "?"
UNA5	Reserved for future use	M an1	M		default value : space
UNA6	Segment terminator	M an1	M		default value : " ' "
Segment Notes: Example: UNA:+.?'					

* = Restricted Codes

St = Status
EDIFACT: M=Mandatory, C=Conditional
User specific: R=Required, O=Optional, D=Dependent,
A=Advised, N=Not used, X=Not used

Segment Details

Segment number: 2

UNB - M 1 - Interchange header					
Function: This segment is used to envelope the interchange, as well as to identify the receiver and the sender of the interchange.					
EDIFACT			EAN		
Tag	Name	St/Format	St	*	Usage
S001	SYNTAX IDENTIFIER	M	M		
0001	Syntax identifier	M a4	M		UNOC = UN/ECE level C
0002	Syntax version number	M n1	M		3 = Syntax version number 3
S002	INTERCHANGE SENDER	M	M		
0004	Sender identification	M an..35	M		Format n13 Sender identification
0007	Partner identification code qualifier	C an..4	R		14 = EAN International
S003	INTERCHANGE RECIPIENT	M	M		
0010	Recipient identification	M an..35	M		Format n13 Recipient identification
0007	Partner identification code qualifier	C an..4	R		14 = EAN International
S004	DATE/TIME OF PREPARATION	M	M		
0017	Date of preparation	M n6	M		Preparation date, format YYMMDD
0019	Time of preparation	M n4	M		Preperation time, format HHMM
0020	Interchange control reference	M an..14	M		Interchange control reference
S005	RECIPIENT'S REFERENCE PASSWORD	C	N		Recipient's Reference Password
0022	Recipient's reference/password	M an..14	N		
0026	Application reference	C an..14	N		
0029	Processing priority code	C a1	N		
0031	Acknowledgement request	C n1	N		
0032	Communications agreement ID	C an..35	N		
0035	Test indicator	C n1	O		1 = Interchange is a test
Segment Notes: Example: UNB+UNOC:3+SUPPLIER:14+4311501990018:14+200625:1536+1234+++++1'					

* = Restricted Codes

St = Status
EDIFACT: M=Mandatory, C=Conditional
User specific: R=Required, O=Optional, D=Dependent,
A=Advised, N=Not used, X=Not used

Segment Details

Segment number: 3

UNH - M 1 - MESSAGE HEADER					
Function: To head, identify and specify a message.					
EDIFACT			EAN		
Tag	Name	St/Format	St	*	Usage
0062	Message reference number	M an..14	M		
S009	MESSAGE IDENTIFIER	M	M		
0065	Message type identifier	M an..6	M		DESADV = Despatch advice message
0052	Message type version number	M an..3	M		D = Draft directory
0054	Message type release number	M an..3	M		96A = Version 96A
0051	Controlling agency	M an..2	M		UN = UN/ECE/TRADE/WP.4, United Nations Standard Messages (UNSM)
0057	Association assigned code	C an..6	R		EAN005 = EAN version control number
Segment Notes: Example: UNH+9876+DESADV:D:96A:UN:EAN005'					

* = Restricted Codes

St = Status
EDIFACT: M=Mandatory, C=Conditional
User specific: R=Required, O=Optional, D=Dependent,
A=Advised, N=Not used, X=Not used

Segment Details

Segment number: 4

BGM - M 1 - Beginning of message					
Function: To indicate the type and function of a message and to transmit the identifying number.					
EDIFACT			EAN		
Tag	Name	St/Format	St	*	Usage
C002	DOCUMENT/MESSAGE NAME	C	M		
1001	Document/message name, coded	C an..3	M		351 = Despatch advice YA5 = Cross dock despatch advice (EAN Code) YA6 = Trans shipment despatch advice (EAN Code) YA7 = Consignment despatch (EAN Code)
1004	Document/message number	C an..35	M		
1225	Message function, coded	C an..3	M		9 = Original
Segment Notes: Example: BGM+351+456321987+9' BGM+YA5+987654321+9' BGM+YA6+123456789+9' BGM+YA7+321456987+9'					

* = Restricted Codes

St = Status
EDIFACT: M=Mandatory, C=Conditional
User specific: R=Required, O=Optional, D=Dependent,
A=Advised, N=Not used, X=Not used

Segment Details

Segment number: 5

DTM - M 1 - Document / message date					
Function: To specify date, and/or time, or period.					
EDIFACT			EAN		
Tag	Name	St/Format	St	*	Usage
C507	DOCUMENT DATE	M	M		
2005	date Qualifier	M an..3	M		137 = Document/message date/time
2380	date value	C an..35	R		Format n..35
2379	date format	C an..3	R		102 = CCYYMMDD 203 = CCYYMMDDHHMM
Segment Notes: Example: DTM+137:20200217:102					

* = Restricted Codes

St = Status
EDIFACT: M=Mandatory, C=Conditional
User specific: R=Required, O=Optional, D=Dependent,
A=Advised, N=Not used, X=Not used

Segment Details

Segment number: 6

DTM - O 1 - Shipping date					
Function: To specify date, and/or time, or period.					
EDIFACT			EAN		
Tag	Name	St/Format	St	*	Usage
C507	SHIPPING DATE	M	M		
2005	date Qualifier	M an..3	M		11 = Despatch date and/or time
2380	date value	C an..35	R		Format n..35
2379	date format	C an..3	R		102 = CCYYMMDD 203 = CCYYMMDDHHMM
Segment Notes: Example: DTM+11:20200216:102					

* = Restricted Codes

St = Status
EDIFACT: M=Mandatory, C=Conditional
User specific: R=Required, O=Optional, D=Dependent,
A=Advised, N=Not used, X=Not used

Segment Details

Segment number: 7

DTM - R 1 - Delivery date, requested					
Function: To specify date, and/or time, or period.					
EDIFACT			EAN		
Tag	Name	St/Format	St	*	Usage
C507	DELIVERY DATE, REQUESTED	M	M		
2005	date Qualifier	M an..3	M		2 = Delivery date/time, requested
2380	date value	C an..35	R		Format n..35
2379	date format	C an..3	R		102 = CCYYMMDD 203 = CCYYMMDDHHMM
Segment Notes: Example: DTM+2:20200216:102					

* = Restricted Codes

St = Status
EDIFACT: M=Mandatory, C=Conditional
User specific: R=Required, O=Optional, D=Dependent,
A=Advised, N=Not used, X=Not used

Segment Details

Segment number: 8

DTM - R 1 - Delivery date, estimated					
Function: To specify date, and/or time, or period.					
EDIFACT			EAN		
Tag	Name	St/Format	St	*	Usage
C507	DELIVERY DATE, ESTIMATED	M	M		
2005	date Qualifier	M an..3	M		17 = Delivery date/time, estimated
2380	date value	C an..35	R		Format n..35
2379	date format	C an..3	R		102 = CCYYMMDD 203 = CCYYMMDDHHMM
Segment Notes: Example: DTM+17:20200216:102					

* = Restricted Codes

St = Status
 EDIFACT: M=Mandatory, C=Conditional
 User specific: R=Required, O=Optional, D=Dependent,
 A=Advised, N=Not used, X=Not used

Segment Details

Segment number: 9

DTM - O 1 - Load pick-up					
Function: To specify date, and/or time, or period.					
EDIFACT			EAN		
Tag	Name	St/Format	St	*	Usage
C507	LOAD PICK-UP	M	M		
2005	date Qualifier	M an..3	M		200 = Pick-up/collection date/time of cargo
2380	date value	C an..35	R		Format n..35
2379	date format	C an..3	R		102 = CCYYMMDD 203 = CCYYMMDDHHMM
Segment Notes: Example: DTM+200:20200215:102					

* = Restricted Codes

St = Status
EDIFACT: M=Mandatory, C=Conditional
User specific: R=Required, O=Optional, D=Dependent,
A=Advised, N=Not used, X=Not used

Segment Details

Segment number: 10

SG1	- M	1 - Order number reference	
RFF	- M	1 - Order Number (Buyer)	
Function: To specify a reference.			
EDIFACT		EAN	
Tag	Name	St/Format	St * Usage
C506	REFERENCE	M	M
1153	Reference qualifier	M an..3	M ON = Order number (buyer)
1154	Reference number	C an..35	M Format n..35
Segment Notes: The segment RFF + ON always contains the order number of EDEKA unchanged. If there is no EDEKA order number, the number "0" must be entered. Example: RFF+ON:4711'			

* = Restricted Codes

St = Status
EDIFACT: M=Mandatory, C=Conditional
User specific: R=Required, O=Optional, D=Dependent,
A=Advised, N=Not used, X=Not used

Segment Details

Segment number: 11

SG1	- O	1 - Reference to the order number			
RFF	- M	1 - Order Number (Supplier)			
Function: To specify a reference.					
EDIFACT			EAN		
Tag	Name	St/Format	St	*	Usage
C506	REFERENCE	M	M		
1153	Reference qualifier	M an..3	M		VN = Order number (supplier)
1154	Reference number	C an..35	R		
Segment Notes: Example: RFF+VN:0815'					

* = Restricted Codes

St = Status
EDIFACT: M=Mandatory, C=Conditional
User specific: R=Required, O=Optional, D=Dependent,
A=Advised, N=Not used, X=Not used

Segment Details

Segment number: 12

SG1	- R	1 - Reference to the delivery note number			
RFF	- M	1 - Delivery Receipt Number			
Function: To specify a reference.					
EDIFACT			EAN		
Tag	Name	St/Format	St	*	Usage
C506	REFERENCE	M	M		
1153	Reference qualifier	M an..3	M		DQ = Delivery note number
1154	Reference number	C an..35	R		Format an..10
Segment Notes: Example: RFF+DQ:4714'					

* = Restricted Codes

St = Status
EDIFACT: M=Mandatory, C=Conditional
User specific: R=Required, O=Optional, D=Dependent,
A=Advised, N=Not used, X=Not used

Segment Details

Segment number: 13

SG1	- O	1 - Reference to the scheduling agreement number			
RFF	- M	1 - Delivery Schedule Number			
Function: To specify a reference.					
EDIFACT			EAN		
Tag	Name	St/Format	St	*	Usage
C506	REFERENCE	M	M		
1153	Reference qualifier	M an..3	M		AAN = Delivery schedule number
1154	Reference number	C an..35	R		
Segment Notes: Example: RFF+AAN:4715'					

* = Restricted Codes

St = Status
EDIFACT: M=Mandatory, C=Conditional
User specific: R=Required, O=Optional, D=Dependent,
A=Advised, N=Not used, X=Not used

Segment Details

Segment number: 14

SG1	- O	1 - Reference to the loading / transport identification number
RFF	- M	1 - Loading / transport identification number
Function: To specify a reference.		
EDIFACT		EAN
Tag	Name	St/Format
C506	REFERENCE	M
1153	Reference qualifier	M an..3
1154	Reference number	C an..35
Segment Notes: Example: RFF+AAQ:4716'		

* = Restricted Codes

St = Status
EDIFACT: M=Mandatory, C=Conditional
User specific: R=Required, O=Optional, D=Dependent,
A=Advised, N=Not used, X=Not used

Segment Details

Segment number: 15

SG2	- R	1 - Buyer	
NAD	- M	1 - Name and address of buyer	
Function:			
To specify the name/address and their related function, either by C082 only and/or unstructured by C058 or structured by C080 thru 3207			
EDIFACT		EAN	
Tag	Name	St/Format	St * Usage
3035	Party qualifier	M an..3	M BY = Buyer
C082	PARTY IDENTIFICATION DETAILS	C	R
3039	Party id. identification	M an..35	M Format n..13
1131	Code list qualifier	C an..3	N
3055	Code list responsible agency, coded	C an..3	R 9 = EAN (International Article Numbering association)
Segment Notes:			
Example: NAD+BY+431156000000::9'			

* = Restricted Codes

St = Status
 EDIFACT: M=Mandatory, C=Conditional
 User specific: R=Required, O=Optional, D=Dependent,
 A=Advised, N=Not used, X=Not used

Segment Details

Segment number: 16

SG2	- C	10 - invoice recipient	
NAD	- M	1 - Name and address of invoice recipient	
Function:			
To specify the name/address and their related function, either by C082 only and/or unstructured by C058 or structured by C080 thru 3207			
EDIFACT		EAN	
Tag	Name	St/Format	St * Usage
3035	Party qualifier	M an..3	M IV = Invoicee
C082	PARTY IDENTIFICATION DETAILS	C	C
3039	Party id. identification	M an..35	M
1131	Code list qualifier	C an..3	N
3055	Code list responsible agency, coded	C an..3	C 9 = EAN (International Article Numbering association)
Segment Notes:			
Example: NAD+IV+431156000000::9'			

* = Restricted Codes

St = Status
EDIFACT: M=Mandatory, C=Conditional
User specific: R=Required, O=Optional, D=Dependent,
A=Advised, N=Not used, X=Not used

Segment Details

Segment number: 17

SG2	- C	10 - transfer point - partner			
NAD	- M	1 - Identification of the transfer point - partner with whom the goods are to be picked up or taken over (i.e. if they differ from the sender).			
Function:					
To specify the name/address and their related function, either by C082 only and/or unstructured by C058 or structured by C080 thru 3207					
EDIFACT			EAN		
Tag	Name	St/Format	St	*	Usage
3035	Party qualifier	M an..3	M		PW = Despatch party
C082	PARTY IDENTIFICATION DETAILS	C	C		
3039	Party id. identification	M an..35	M		
1131	Code list qualifier	C an..3	N		
3055	Code list responsible agency, coded	C an..3	C		9 = EAN (International Article Numbering association)
Segment Notes:					
Example: NAD+PW+4033988000003::9'					

* = Restricted Codes

St = Status
EDIFACT: M=Mandatory, C=Conditional
User specific: R=Required, O=Optional, D=Dependent,
A=Advised, N=Not used, X=Not used

Segment Details

Segment number: 18

SG2	- C	10 - consignee	
NAD	- M	1 - Consignee identification	
Function:			
To specify the name/address and their related function, either by C082 only and/or unstructured by C058 or structured by C080 thru 3207			
EDIFACT		EAN	
Tag	Name	St/Format	St * Usage
3035	Party qualifier	M an..3	M DP = Delivery party
C082	PARTY IDENTIFICATION DETAILS	C	C
3039	Party id. identification	M an..35	M
1131	Code list qualifier	C an..3	N
3055	Code list responsible agency, coded	C an..3	C 9 = EAN (International Article Numbering association)
C058	NAME AND ADDRESS	C	N
3124	Name and address line	M an..35	N
C080	PARTY NAME	C	C
3036	Party name	M an..35	M
3036	Party name	C an..35	C
3036	Party name	C an..35	C
3036	Party name	C an..35	C
C059	STREET	C	C
3042	Street and number/p.o. box	M an..35	M
3042	Street and number/p.o. box	C an..35	C
3042	Street and number/p.o. box	C an..35	C
3164	City name	C an..35	C
3229	Country sub-entity identification	C an..9	N
3251	Postcode identification	C an..9	C
3207	Country, coded	C an..3	C DE = GERMANY
Segment Notes:			
Example:			
NAD+DP+4314319998306::9+++Name 1:Name 2:Name 3:Name 4+Strasse 1:Strasse 2:Strasse 3+Ort++12345+DE'			
NAD+DP+4314319998306::9+++Name 1:Name 2:Name 3:Name 4+Street 1:Street 2:Street 3+City++12345+DE'			

* = Restricted Codes

St = Status
EDIFACT: M=Mandatory, C=Conditional
User specific: R=Required, O=Optional, D=Dependent,
A=Advised, N=Not used, X=Not used

Segment Details

Segment number: 19

SG2	- C	10 - ultimate consignee	
NAD	- M	1 - Informations about the ultimate consignee	
Function:			
Angabe des Namens / der Adresse und der zugehörigen Funktion, entweder nur von C082 und / oder unstrukturiert von C058 oder strukturiert von C080 bis 3207			
EDIFACT		EAN	
Tag	Name	St/Format	St * Usage
3035	Party qualifier	M an..3	M UC = Ultimate consignee
C082	PARTY IDENTIFICATION DETAILS	C	C
3039	Party id. identification	M an..35	M
1131	Code list qualifier	C an..3	N
3055	Code list responsible agency, coded	C an..3	C 9 = EAN (International Article Numbering association)
C058	NAME AND ADDRESS	C	N
3124	Name and address line	M an..35	N
C080	PARTY NAME	C	C
3036	Party name	M an..35	M
Segment Notes:			
Example:			
NAD+UC+4314318578080::9++Name 1:Name 2:Name 3:Name 4+Strasse 1:Strasse 2:Strasse 3+Ort++12345+DE'			
NAD+UC+4314319998306::9++Name 1:Name 2:Name 3:Name 4+Street 1:Street 2:Street 3+City++12345+DE'			

* = Restricted Codes

St = Status
EDIFACT: M=Mandatory, C=Conditional
User specific: R=Required, O=Optional, D=Dependent,
A=Advised, N=Not used, X=Not used

Segment Details

Segment number: 20

SG2	- C	10 - Supplier	
NAD	- M	1 - Supplier identification	
Function:			
To specify the name/address and their related function, either by C082 only and/or unstructured by C058 or structured by C080 thru 3207			
EDIFACT		EAN	
Tag	Name	St/Format	St * Usage
3035	Party qualifier	M an..3	M SU = Supplier
C082	PARTY IDENTIFICATION DETAILS	C	C
3039	Party id. identification	M an..35	M
1131	Code list qualifier	C an..3	N
3055	Code list responsible agency, coded	C an..3	C 9 = EAN (International Article Numbering association)
Segment Notes:			
Example: NAD+SU+4398465213564::9'			

* = Restricted Codes

St = Status
EDIFACT: M=Mandatory, C=Conditional
User specific: R=Required, O=Optional, D=Dependent,
A=Advised, N=Not used, X=Not used

Segment Details

Segment number: 21

SG2	- C	10 - Carrier	
NAD	- M	1 - Identification of the carrier	
Function:			
To specify the name/address and their related function, either by C082 only and/or unstructured by C058 or structured by C080 thru 3207			
EDIFACT		EAN	
Tag	Name	St/Format	St * Usage
3035	Party qualifier	M an..3	M FW = Freight forwarder
C082	PARTY IDENTIFICATION DETAILS	C	C
3039	Party id. identification	M an..35	M
1131	Code list qualifier	C an..3	N
3055	Code list responsible agency, coded	C an..3	C 9 = EAN (International Article Numbering association)
Segment Notes:			
Example: NAD+FW+4033988000003::9'			

* = Restricted Codes

St = Status
EDIFACT: M=Mandatory, C=Conditional
User specific: R=Required, O=Optional, D=Dependent,
A=Advised, N=Not used, X=Not used

Segment Details

Segment number: 22

SG8	- C	10 - EQD-MEA-SEL			
EQD	- M	1 - Unit of equipment			
Function:					
To identify a unit of equipment					
EDIFACT			EAN		
Tag	Name	St/Format	St	*	Usage
8053	Equipment qualifier	M an..3	M		UL = ULD (Unit load device)
Segment Notes:					
Example: EQD+UL'					

* = Restricted Codes

St = Status
EDIFACT: M=Mandatory, C=Conditional
User specific: R=Required, O=Optional, D=Dependent,
A=Advised, N=Not used, X=Not used

Segment Details

Segment number: 23

SG8	- C	10 - EQD-MEA-SEL	
MEA	- C	5 - Measurements	
Function:			
To specify physical measurements, including dimension tolerances, weights and counts			
EDIFACT		EAN	
Tag	Name	St/Format	St * Usage
6311	Measurement application qualifier	M an..3	M PD = Physical dimensions
C502	MEASUREMENT DETAILS	C	C
6313	Measurement dimension, coded	C an..3	C AAW = Gross volume
C174	VALUE/RANGE	C	C
6411	Measure unit qualifier	M an..3	M KGM = Kilogram LTR = Litre (1 dm³) TNE = Metric ton (1000kg) MTQ = Cubic metre
6314	Measurement value	C n..18	C
Segment Notes:			
Example: MEA+PD+AAW+LTR:100'			

* = Restricted Codes

St = Status
EDIFACT: M=Mandatory, C=Conditional
User specific: R=Required, O=Optional, D=Dependent,
A=Advised, N=Not used, X=Not used

Segment Details

Segment number: 24

SG8	- C	10 - EQD-MEA-SEL			
SEL	- C	25 - Seal number			
Function:					
To specify the seal number or a range of seal numbers					
EDIFACT			EAN		
Tag	Name	St/Format	St	*	Usage
9308	Seal number	M an..10	M		
C215	SEAL ISSUER	C	C		
9303	Sealing party, coded	C an..3	C		CU = Customs SH = Shipper
Segment Notes:					
Example: SEL+SEAL+CU'					

* = Restricted Codes

St = Status
EDIFACT: M=Mandatory, C=Conditional
User specific: R=Required, O=Optional, D=Dependent,
A=Advised, N=Not used, X=Not used

Segment Details

Segment number: 25

SG10	- C	9999 - CPS-SG11			
CPS	- M	1 - Consignment packing sequence			
Function:					
To identify the sequence in which physical packing is presented in the consignment, and optionally to identify the hierarchical relationship between packing layers.					
EDIFACT		EAN			
Tag	Name	St/Format	St	*	Usage
7164	Hierarchical id. number	M an..12	M		
Segment Notes:					
The position part of the message begins with the CPS segment. The segments after the first CPS segment (CPS + 1) and before the subsequent CPS segment (CPS + 2 + 1) can contain physical information about the entire shipment.					
This segment is used to indicate the order of the packages in a shipment, i.e. For each package, a new item part of the message begins with the CPS segment, DE 7164 is increased by one.					
If no package hierarchy is to be described, the message is continued with SG15 (once the requirements of the first SG10 have been met).					
Example: CPS+1'					

* = Restricted Codes

St = Status
EDIFACT: M=Mandatory, C=Conditional
User specific: R=Required, O=Optional, D=Dependent,
A=Advised, N=Not used, X=Not used

Segment Details

Segment number: 26

SG10	- C	9999 - CPS-SG11			
SG11	- C	9999 - PAC-MEA-SG13			
PAC	- M	1 - Number of packages (shipping units)			
Function:					
To describe the number and type of packages/physical units.					
EDIFACT			EAN		
Tag	Name	St/Format	St	*	Usage
7224	Number of packages	C n..8	M		
C531	PACKAGING DETAILS	C	C		
7075	Packaging level, coded	C an..3	N		
C202	PACKAGE TYPE	C	M		
7065	Type of packages identification	C an..17	M		<p>200 = Pallet ISO 0 - 1/2 EURO Pallet (EAN Code)</p> <p>201 = Pallet ISO 1 - 1/1 EURO Pallet (EAN Code)</p> <p>202 = Pallet ISO 2 (EAN Code)</p> <p>203 = 1/4 EURO Pallet (EAN Code)</p> <p>205 = Synthetic pallet ISO 1 (EAN Code)</p> <p>210 = Wholesaler pallet (EAN Code)</p> <p>211 = Pallet 80 X 100 cm (EAN Code)</p> <p>8 = Palette without calculation 80x120x14,4cm</p> <p>BX = MKB-Box 80x120x100cm</p> <p>C2 = Roll container 80x65x105cm</p> <p>C4 = Intermediate bottom f. Rolli bl.. 81x71x2,5cm</p> <p>CGBC = EC Container L8100xB608xH1250mm</p> <p>CGK1 = Flower carton bucket 60x40x48</p> <p>CHA = Beerpalette 120x100x16cm</p> <p>CS = Case</p> <p>CT = Carton</p> <p>CWPA = Palette CD Winkels 120x80x14,4cm</p> <p>CWRB = Roll container CD Winkels 72x81, 5x155cm</p> <p>DD = H1 PVC-Palette 120x80x16</p> <p>DG = Häde deposit basket 60x40x30cm</p> <p>DH = Europool Big Box 80x60x29,2cm</p> <p>EW = Transport carton of cigarettes 59, 5x39,5x30</p> <p>KT4 = van Wylick Box 60x40x30cm</p> <p>KT0 = Intermediate bottom f. Rolli bl.. 81x71x2,5cm</p> <p>OA = 1/4 Chep Palette 60x40x15cm</p> <p>OB = Chep-Palette 120x80x14,4cm</p> <p>P4 = Intermediate bottom f. Rolli bl.. 81x71x2,5cm</p> <p>PC = SZ Paketbox</p> <p>PCE = Europalette 80x120x14,4cm</p> <p>PK = 1/4 Chep Palette 60x40x15cm</p> <p>RB1 = Flower container 81x67x135cm</p>

* = Restricted Codes

St = Status

EDIFACT: M=Mandatory, C=Conditional

User specific: R=Required, O=Optional, D=Dependent,

A=Advised, N=Not used, X=Not used

Segment Details

Segment number: 26

EDIFACT			EAN		
Tag	Name	St/Format	St	*	Usage
					ST = Chep-Palette 120x80x14,4cm TRE = Euro transport car 81x60x126cm UP = Thermohäuser Thermobox 62, 5x42,5cm VE = Fountain range 110x107cm Y001 = EDEKA Euro-Palette X9 = Fountain range 110x107cm X10 = E2 Tub blue 2kg 60x40x20cm Y2 = E2-Meat crate red 60x40x20 Z01 = Düsseldorfer Palette 60x80cm Z002 = Roll container 80x65x105cm Z14 = Düsseldorfer Palette 60x80cm Z20 = E2-Meat crate red 60x40x20 Z21 = SZ Box
1131	Code list qualifier	C an..3	N		
3055	Code list responsible agency, coded	C an..3	M		9 = EAN (International Article Numbering association)
Segment Notes: Example: PAC+10++201::9'					

* = Restricted Codes

St = Status
 EDIFACT: M=Mandatory, C=Conditional
 User specific: R=Required, O=Optional, D=Dependent,
 A=Advised, N=Not used, X=Not used

Segment Details

Segment number: 27

SG10	- C	9999 - CPS-SG11	
SG11	- C	9999 - PAC-MEA-SG13	
MEA	- C	10 - Measurements	
Function:			
To specify physical measurements, including dimension tolerances, weights and counts			
EDIFACT		EAN	
Tag	Name	St/Format	St * Usage
6311	Measurement application qualifier	M an..3	M PD = Physical dimensions (product ordered)
C502	MEASUREMENT DETAILS	C	C
6313	Measurement dimension, coded	C an..3	C AAD = Total gross weight AAW = Gross volume AAA = Unit net weight AAB = Unit gross weight
C174	VALUE/RANGE	C	C
6411	Measure unit qualifier	M an..3	M KGM = Kilogram LTR = Litre (1 dm3) MTQ = Cubic metre TNE = Metric ton (1000kg)
6314	Measurement value	C n..18	C
Segment Notes:			
Example:			
MEA+PD+AAD+KGM:10'			
MEA+PD+AAW+MTQ:29'			

* = Restricted Codes

St = Status
EDIFACT: M=Mandatory, C=Conditional
User specific: R=Required, O=Optional, D=Dependent,
A=Advised, N=Not used, X=Not used

Segment Details

Segment number: 28

SG10	- C	9999 - CPS-SG11	
SG11	- C	9999 - PAC-MEA-SG13	
SG13	- C	1000 - PCI-SG14	
PCI	- M	1 - Package marking with SSCC (consignment)	
Function: To specify markings and labels on individual packages or physical units.			
EDIFACT		EAN	
Tag	Name	St/Format	St * Usage
4233	Marking instructions, coded	C an..3	M 33E = Marked with serial shipping container code (EAN Code)
Segment Notes: Example: PCI+33E'			

* = Restricted Codes

St = Status
EDIFACT: M=Mandatory, C=Conditional
User specific: R=Required, O=Optional, D=Dependent,
A=Advised, N=Not used, X=Not used

Segment Details

Segment number: 29

SG10	- C	9999 - CPS-SG11
SG11	- C	9999 - PAC-MEA-SG13
SG13	- C	1000 - PCI-SG14
SG14	- C	99 - GIN
GIN	- M	1 - Shipping unit number (SSCC)

Function:
To give specific identification numbers, either as single numbers or ranges.

EDIFACT			EAN		
Tag	Name	St/Format	St	*	Usage
7405	Identity number qualifier	M an..3	M		BJ = Serial shipping container code
C208	IDENTITY NUMBER RANGE	M	M		
7402	Identity number	M an..35	M		
7402	Identity number	C an..35	C		

Segment Notes:
This segment is used to indicate the number (s) of the shipping unit (s) [NVE] for the unique identification of individual transport items. if a shipment consists of only one pallet, the NVE of the pallet must be specified here.

Example:
GIN+BJ+345678901234567895:345678901234567901'

* = Restricted Codes

St = Status
EDIFACT: M=Mandatory, C=Conditional
User specific: R=Required, O=Optional, D=Dependent,
A=Advised, N=Not used, X=Not used

Segment Details

Segment number: 30

SG10	- C	9999 - CPS-SG11	
SG11	- C	9999 - PAC-MEA-SG13	
SG13	- C	1000 - PCI	
PCI	- M	1 - Package identification with package number (shipment)	
Function: To specify markings and labels on individual packages or physical units.			
EDIFACT		EAN	
Tag	Name	St/Format	St * Usage
4233	Marking instructions, coded	C an..3	M IEN = Package identity number (EAN Code)
C210	MARKS & LABELS	C	C
7102	Shipping marks	M an..35	M
Segment Notes: Example: PCI+IEN+123456789012345678'			

* = Restricted Codes

St = Status
EDIFACT: M=Mandatory, C=Conditional
User specific: R=Required, O=Optional, D=Dependent,
A=Advised, N=Not used, X=Not used

Segment Details

Segment number: 31

SG10	- C	9999 - CPS-SG11	
CPS	- M	1 - Consignment packing sequence	
Function:			
To identify the sequence in which physical packing is presented in the consignment, and optionally to identify the hierarchical relationship between packing layers.			
EDIFACT		EAN	
Tag	Name	St/Format	St * Usage
7164	Hierarchical id. number	M an..12	M
7166	Hierarchical parent id.	C an..12	C
Segment Notes:			
This segment is used to specify the order of the packages in a shipment, i.e. For each package, a new item begins with the CPS segment, DE 7164 is increased by one.			
Example: CPS+2+1'			

* = Restricted Codes

St = Status
EDIFACT: M=Mandatory, C=Conditional
User specific: R=Required, O=Optional, D=Dependent,
A=Advised, N=Not used, X=Not used

Segment Details

Segment number: 32

SG10	- C	9999 - CPS-SG11			
SG11	- C	9999 - PAC-MEA-SG13			
PAC	- M	1 - Number of packages (shipment)			
Function:					
To describe the number and type of packages/physical units.					
EDIFACT			EAN		
Tag	Name	St/Format	St	*	Usage
7224	Number of packages	C n..8	M		
C531	PACKAGING DETAILS	C	N		
7075	Packaging level, coded	C an..3	N		
C202	PACKAGE TYPE	C	M		
7065	Type of packages identification	C an..17	M		<p>200 = Pallet ISO 0 - 1/2 EURO Pallet (EAN Code)</p> <p>201 = Pallet ISO 1 - 1/1 EURO Pallet (EAN Code)</p> <p>202 = Pallet ISO 2 (EAN Code)</p> <p>203 = 1/4 EURO Pallet (EAN Code)</p> <p>205 = Synthetic pallet ISO 1 (EAN Code)</p> <p>210 = Wholesaler pallet (EAN Code)</p> <p>211 = Pallet 80 X 100 cm (EAN Code)</p> <p>8 = Palette without calculation 80x120x14,4cm</p> <p>BX = MKB-Box 80x120x100cm</p> <p>C2 = Roll container 80x65x105cm</p> <p>C4 = Intermediate bottom f. Rolli bl.. 81x71x2,5cm</p> <p>CGBC = EC Container L8100xB608xH1250mm</p> <p>CGK1 = Flower carton bucket 60x40x48</p> <p>CHA = Beerpalette 120x100x16cm</p> <p>CS = Case</p> <p>CT = Carton</p> <p>CWPA = Palette CD Winkels 120x80x14,4cm</p> <p>CWRB = Roll container CD Winkels 72x81, 5x155cm</p> <p>DD = H1 PVC-Palette 120x80x16</p> <p>DG = Håde deposit basket 60x40x30cm</p> <p>DH = Europool Big Box 80x60x29,2cm</p> <p>EW = Transport carton of cigarettes 59, 5x39,5x30</p> <p>KT4 = van Wylick Box 60x40x30cm</p> <p>KT0 = Intermediate bottom f. Rolli bl.. 81x71x2,5cm</p> <p>OA = 1/4 Chep Palette 60x40x15cm</p> <p>OB = Chep-Palette 120x80x14,4cm</p> <p>P4 = Intermediate bottom f. Rolli bl.. 81x71x2,5cm</p> <p>PC = SZ Paketbox</p> <p>PCE = Europalette 80x120x14,4cm</p> <p>PK = Package</p> <p>RB1 = Flower container 81x67x135cm</p>

* = Restricted Codes

St = Status

EDIFACT: M=Mandatory, C=Conditional

User specific: R=Required, O=Optional, D=Dependent,

A=Advised, N=Not used, X=Not used

Segment Details

Segment number: 32

EDIFACT			EAN		
Tag	Name	St/Format	St	*	Usage
					ST = Chep-Palette 120x80x14,4cm TRE = Euro transport car 81x60x126cm UP = Thermohäuser Thermobox 62, 5x42,5cm VE = Fountain range 110x107cm X9 = Fountain range 110x107cm X10 = E2 Tub blue 2kg 60x40x20cm Y001 = EDEKA Euro-Palette Y2 = E2-Meat crate red 60x40x20 Z01 = Düsseldorfer Palette 60x80cm Z002 = Roll container 80x65x105cm Z14 = Düsseldorfer Palette 60x80cm Z20 = E2-Meat crate red 60x40x20 Z21 = SZ Box
1131	Code list qualifier	C an..3	N		
3055	Code list responsible agency, coded	C an..3	M		9 = EAN (International Article Numbering association)
Segment Notes: Example: PAC+1++201::9'					

* = Restricted Codes

St = Status
 EDIFACT: M=Mandatory, C=Conditional
 User specific: R=Required, O=Optional, D=Dependent,
 A=Advised, N=Not used, X=Not used

Segment Details

Segment number: 33

SG10	- C	9999 - CPS-SG11	
SG11	- C	9999 - PAC-MEA-SG13	
MEA	- C	10 - Measurements	
Function:			
To specify physical measurements, including dimension tolerances, weights and counts			
EDIFACT		EAN	
Tag	Name	St/Format	St * Usage
6311	Measurement application qualifier	M an..3	M PD = Physical dimensions (product ordered)
C502	MEASUREMENT DETAILS	C	C
6313	Measurement dimension, coded	C an..3	C AAA = Unit net weight AAB = Unit gross weight AAW = Gross volume HT = Height dimension LN = Length dimension WD = Width dimension DBX = Degree BRIX (EAN Code) DN = Density UCO = Units per package (EAN Code)
C174	VALUE/RANGE	C	C
6411	Measure unit qualifier	M an..3	M KGM = Kilogram LTR = Litre (1 dm3) MTQ = Cubic metre MMT = Millimetre MTR = Metre PCE = Piece TNE = Metric ton (1000kg)
6314	Measurement value	C n..18	C
Segment Notes:			
Example:			
MEA+PD+AAA+KGM:5'			
MEA+PD+AAB+KGM:6'			
MEA+PD+AAW+LTR:2'			
MEA+PD+HT+MMT:200'			
MEA+PD+LN+MMT:250'			
MEA+PD+WD+MMT:570'			

* = Restricted Codes

St = Status
EDIFACT: M=Mandatory, C=Conditional
User specific: R=Required, O=Optional, D=Dependent,
A=Advised, N=Not used, X=Not used

Segment Details

Segment number: 34

SG10	- C	9999 - CPS-SG11			
SG11	- C	9999 - PAC-MEA-SG13			
SG13	- C	1000 - PCI			
PCI	- M	1 - Package identification with package number (shipment)			
Function: To specify markings and labels on individual packages or physical units.					
EDIFACT			EAN		
Tag	Name	St/Format	St	*	Usage
4233	Marking instructions, coded	C an..3	M		33E = Marked with serial shipping container code (EAN Code)
Segment Notes: Example: PCI+33E'					

* = Restricted Codes

St = Status
EDIFACT: M=Mandatory, C=Conditional
User specific: R=Required, O=Optional, D=Dependent,
A=Advised, N=Not used, X=Not used

Segment Details

Segment number: 35

SG10	- C	9999 - CPS-SG11	
SG11	- C	9999 - PAC-MEA-SG13	
SG13	- D	1000 - PCI-SG14	
PCI	- M	1 - Identification with the pallet number (shipment)	
Function: Identification and labels of the pallet. In connection with the GIN+SRV segment. Valid for fruit and vegetable suppliers.			
EDIFACT		EAN	
Tag	Name	St/Format	St * Usage
4233	Marking instructions, coded	C an..3	M 17 = Supplier's instructions
Segment Notes: Example: PCI+17'			

* = Restricted Codes

St = Status
EDIFACT: M=Mandatory, C=Conditional
User specific: R=Required, O=Optional, D=Dependent,
A=Advised, N=Not used, X=Not used

Segment Details

Segment number: 36

SG10	- C	9999 - CPS-SG11			
SG11	- C	9999 - PAC-MEA-SG13			
SG13	- D	1000 - PCI-SG14			
SG14	- C	99 - GIN			
GIN	- M	1 - Shipping unit number (SSCC)			
Function:					
To give specific identification numbers, either as single numbers or ranges.					
EDIFACT			EAN		
Tag	Name	St/Format	St	*	Usage
7405	Identity number qualifier	M an..3	M		BJ = Serial shipping container code BN = Serial number BX = Batch number DB = GRAI – Globale MTV-Identnummer, mit Seriennummer
C208	IDENTITY NUMBER RANGE	M	M		
7402	Identity number	M an..35	M		
Segment Notes:					
Examples:					
GIN+BJ+345678901234567918'					
GIN+DB+98765432123456789'					
GIN+BN+47110815'					
GIN+BX+202006221234'					

* = Restricted Codes

St = Status

EDIFACT: M=Mandatory, C=Conditional

User specific: R=Required, O=Optional, D=Dependent,

A=Advised, N=Not used, X=Not used

Segment Details

Segment number: 37

SG10	- C	9999 - CPS-SG11	
SG11	- C	9999 - PAC-MEA-SG13	
SG13	- D	1000 - PCI-SG14	
SG14	- D	99 - GIN	
GIN	- M	1 - Pallet number	
Function: Identification and labels of the pallet. In connection with the PCI+17 segment. Valid for fruit and vegetable suppliers.			
EDIFACT		EAN	
Tag	Name	St/Format	St * Usage
7405	Identity number qualifier	M an..3	M SRV = EAN.UCC Internationale Artikelnummer/Global Trade Item Number, EAN/GTIN (EAN-Code)
C208	IDENTITY NUMBER RANGE	M	M
7402	Identity number	M an..35	M
Segment Notes: Example: GIN+SRV+48120916'			

* = Restricted Codes

St = Status
EDIFACT: M=Mandatory, C=Conditional
User specific: R=Required, O=Optional, D=Dependent,
A=Advised, N=Not used, X=Not used

Segment Details

Segment number: 38

SG10	- C	9999	- CPS-SG11-SG15
CPS	- M	1	- Consignment packing sequence
Function:			
To identify the sequence in which physical packing is presented in the consignment, and optionally to identify the hierarchical relationship between packing layers.			
EDIFACT			EAN
Tag	Name	St/Format	St * Usage
7164	Hierarchical id. number	M an..12	M
7166	Hierarchical parent id.	C an..12	C
Segment Notes:			
This segment is used to indicate the order of the packages of a shipment, i.e. For each package, a new item begins with the CPS segment, DE 7164 is increased by one.			
For example, if a pallet was described in the previous CPS segment (CPS + 2 + 1), the individual layers can be displayed here in the case of a sandwich pallet. In the case of a sandwich pallet, the bottom pallet would be the first layer (CPS + 2 + 1), the second layer is CPS + 3 + 2, the third CPS + 4 + 2, etc.			
If articles are to be described, group SG15 follows immediately after group SG10.			
Example: CPS+3+2'			

* = Restricted Codes

St = Status
EDIFACT: M=Mandatory, C=Conditional
User specific: R=Required, O=Optional, D=Dependent,
A=Advised, N=Not used, X=Not used

Segment Details

Segment number: 39

SG10	- C	9999 - CPS-SG11-SG15			
SG11	- C	9999 - PAC-MEA-SG13			
PAC	- M	1 - Number of packages (shipment)			
Function:					
To describe the number and type of packages/physical units.					
EDIFACT			EAN		
Tag	Name	St/Format	St	*	Usage
7224	Number of packages	C n..8	M		
C531	PACKAGING DETAILS	C	N		
7075	Packaging level, coded	C an..3	N		
C202	PACKAGE TYPE	C	M		
7065	Type of packages identification	C an..17	M		<p>200 = Pallet ISO 0 - 1/2 EURO Pallet (EAN Code)</p> <p>201 = Pallet ISO 1 - 1/1 EURO Pallet (EAN Code)</p> <p>202 = Pallet ISO 2 (EAN Code)</p> <p>203 = 1/4 EURO Pallet (EAN Code)</p> <p>205 = Synthetic pallet ISO 1 (EAN Code)</p> <p>210 = Wholesaler pallet (EAN Code)</p> <p>211 = Pallet 80 X 100 cm (EAN Code)</p> <p>8 = Palette without calculation 80x120x14,4cm</p> <p>BX = MKB-Box 80x120x100cm</p> <p>C2 = Roll container 80x65x105cm</p> <p>C4 = Intermediate bottom f. Rolli bl.. 81x71x2,5cm</p> <p>CGBC = EC Container L8100xB608xH1250mm</p> <p>CGK1 = Flower carton bucket 60x40x48</p> <p>CHA = Beerpalette 120x100x16cm</p> <p>CS = Case</p> <p>CT = Carton</p> <p>CWRB = Roll container CD Winkels 72x81, 5x155cm</p> <p>CWPA = Palette CD Winkels 120x80x14,4cm</p> <p>DD = H1 PVC-Palette 120x80x16</p> <p>DH = Europool Big Box 80x60x29,2cm</p> <p>DG = Håde deposit basket 60x40x30cm</p> <p>EW = Transport carton of cigarettes 59, 5x39,5x30</p> <p>KTO = Intermediate bottom f. Rolli bl.. 81x71x2,5cm</p> <p>KT4 = van Wylick Box 60x40x30cm</p> <p>OA = 1/4 Chep Palette 60x40x15cm</p> <p>OB = Chep-Palette 120x80x14,4cm</p> <p>P4 = Intermediate bottom f. Rolli bl.. 81x71x2,5cm</p> <p>PC = SZ Paketbox</p> <p>PCE = Europalette 80x120x14,4cm</p> <p>PK = 1/4 Chep Palette 60x40x15cm</p> <p>RB1 = Flower container 81x67x135cm</p>

* = Restricted Codes

St = Status

EDIFACT: M=Mandatory, C=Conditional

User specific: R=Required, O=Optional, D=Dependent,

A=Advised, N=Not used, X=Not used

Segment Details

Segment number: 39

EDIFACT			EAN		
Tag	Name	St/Format	St	*	Usage
					ST = Chep-Palette 120x80x14,4cm TRE = Euro transport car 81x60x126cm UP = Thermohauser Thermobox 62, 5x42,5cm VE = Fountain range 110x107cm X9 = Fountain range 110x107cm X10 = E2 Tub blue 2kg 60x40x20cm Y001 = EDEKA Euro-Palette Y2 = E2-Meat crate red 60x40x20 Z01 = Düsseldorfer Palette 60x80cm Z002 = Roll container 80x65x105cm Z14 = Düsseldorfer Palette 60x80cm Z20 = E2-Meat crate red 60x40x20 Z21 = SZ Box
1131	Code list qualifier	C an..3	N		
3055	Code list responsible agency, coded	C an..3	M		9 = EAN (International Article Numbering association)
Segment Notes: Example: PAC+1++201::9'					

* = Restricted Codes

St = Status
 EDIFACT: M=Mandatory, C=Conditional
 User specific: R=Required, O=Optional, D=Dependent,
 A=Advised, N=Not used, X=Not used

Segment Details

Segment number: 40

SG10	- C	9999 - CPS-SG11-SG15	
SG11	- C	9999 - PAC-MEA-SG13	
MEA	- C	10 - Measurements	
Function:			
To specify physical measurements, including dimension tolerances, weights and counts			
EDIFACT		EAN	
Tag	Name	St/Format	St * Usage
6311	Measurement application qualifier	M an..3	M PD = Physical dimensions (product ordered)
C502	MEASUREMENT DETAILS	C	C
6313	Measurement dimension, coded	C an..3	C AAA = Unit net weight AAB = Unit gross weight AAW = Gross volume LN = Length dimension HT = Height dimension WD = Width dimension DBX = Degree BRIX (EAN Code) DN = Density UCO = Units per package (EAN Code)
C174	VALUE/RANGE	C	C
6411	Measure unit qualifier	M an..3	M KGM = Kilogram LTR = Litre (1 dm3) MMT = Millimetre MTR = Metre MTQ = Cubic metre PCE = Piece TNE = Metric ton (1000kg)
6314	Measurement value	C n..18	C
Segment Notes:			
Example:			
MEA+PD+AAA+KGM:5'			
MEA+PD+AAB+KGM:6'			
MEA+PD+AAW+MTQ:6'			
MEA+PD+LN+MTR:1'			
MEA+PD+HT+MTR:2'			
MEA+PD+WD+MTR:3'			

* = Restricted Codes

St = Status
EDIFACT: M=Mandatory, C=Conditional
User specific: R=Required, O=Optional, D=Dependent,
A=Advised, N=Not used, X=Not used

Segment Details

Segment number: 41

SG10	- C	9999 - CPS-SG11-SG15			
SG11	- C	9999 - PAC-MEA-SG13			
SG13	- D	1000 - PCI-SG14			
PCI	- M	1 - Package identification with package number (shipment)			
Function: To specify markings and labels on individual packages or physical units.					
EDIFACT			EAN		
Tag	Name	St/Format	St	*	Usage
4233	Marking instructions, coded	C an..3	M		17 = Supplier's instructions 33E = Marked with serial shipping container code (EAN Code)
Segment Notes: Examples: PCI+17' PCI+33E'					

* = Restricted Codes

St = Status
EDIFACT: M=Mandatory, C=Conditional
User specific: R=Required, O=Optional, D=Dependent,
A=Advised, N=Not used, X=Not used

Segment Details

Segment number: 42

SG10	- C	9999 - CPS-SG11-SG15
SG11	- C	9999 - PAC-MEA-SG13
SG13	- D	1000 - PCI-SG14
SG14	- D	99 - GIN
GIN	- M	1 - Shipping unit number (SSCC)

Function:
To give specific identification numbers, either as single numbers or ranges.

EDIFACT			EAN		
Tag	Name	St/Format	St	*	Usage
7405	Identity number qualifier	M an..3	M		BJ = Serial shipping container code BN = Serial number BX = Batch number DB = GRAI – Globale MTV-Identnummer, mit Seriennummer SRV = EAN.UCC Internationale Artikelnummer/Global Trade Item Number, EAN/GTIN (EAN-Code)
C208	IDENTITY NUMBER RANGE	M	M		
7402	Identity number	M an..35	M		

Segment Notes:
Examples:
GIN+BJ+987654321987654321'
GIN+DB+98765432123456789'
GIN+BN+47110815'
GIN+BX+202006221234'
GIN+SRV+48120916'

* = Restricted Codes

St = Status
 EDIFACT: M=Mandatory, C=Conditional
 User specific: R=Required, O=Optional, D=Dependent,
 A=Advised, N=Not used, X=Not used

Segment Details

Segment number: 43

SG10	- C	9999 - CPS-SG11-SG15			
SG15	- C	9999 - LIN-PIA-IMD-MEA-QTY-SG16-SG20-SG23			
LIN	- M	1 - Line item			
Function: To identify a line item and configuration					
EDIFACT			EAN		
Tag	Name	St/Format	St	*	Usage
1082	Line item number	C n..6	C		
1229	Action request/notification, coded	C an..3	N		
C212	ITEM NUMBER IDENTIFICATION	C	C		
7140	Item number	C an..35	C		
7143	Item number type, coded	C an..3	C		EN = International Article Numbering Association (EAN) UP = UPC (Universal product code)
Segment Notes: Example: LIN+1++1234567890128:EN'					

* = Restricted Codes

St = Status
EDIFACT: M=Mandatory, C=Conditional
User specific: R=Required, O=Optional, D=Dependent,
A=Advised, N=Not used, X=Not used

Segment Details

Segment number: 44

SG10	- C	9999 - CPS-SG11-SG15	
SG15	- C	9999 - LIN-PIA-IMD-MEA-QTY-SG16-SG20-SG23	
PIA	- C	10 - Supplier part number	
Function:			
To specify additional or substitutional item identification codes			
EDIFACT		EAN	
Tag	Name	St/Format	St * Usage
4347	Product id. function qualifier	M an..3	M 5 = Product identification
C212	ITEM NUMBER IDENTIFICATION	M	M
7140	Item number	C an..35	C
7143	Item number type, coded	C an..3	C SA = Supplier's article number
1131	Code list qualifier	C an..3	N
3055	Code list responsible agency, coded	C an..3	C 91 = Assigned by supplier or supplier's agent
Segment Notes:			
This segment is only used if there is no GTIN in the LIN segment. It must then immediately follow the LIN segment. In this case, the LIN segment only contains the position number. The article is identified with the supplier's article number in the PIA segment, DE 4347 must be set to 5 for the primary identification.			
Only if there is no GTIN in the LIN: Article identification in the PIA.			
Example:			
PIA+5+SU IDENT 1234:SA::91'			

* = Restricted Codes

St = Status
EDIFACT: M=Mandatory, C=Conditional
User specific: R=Required, O=Optional, D=Dependent,
A=Advised, N=Not used, X=Not used

Segment Details

Segment number: 45

SG10	- C	9999 - CPS-SG11-SG15			
SG15	- C	9999 - LIN-PIA-IMD-MEA-QTY-SG16-SG20-SG23			
PIA	- C	10 - Supplier article number			
Function: To specify additional or substitutional item identification codes					
EDIFACT			EAN		
Tag	Name	St/Format	St	*	Usage
4347	Product id. function qualifier	M an..3	M		1 = Additional identification
C212	ITEM NUMBER IDENTIFICATION	M	M		
7140	Item number	C an..35	C		
7143	Item number type, coded	C an..3	C		SA = Supplier's article number
Segment Notes: Supplier article number (additional information on the GTIN) Example: PIA+1+SU ARTNO 5678:SA'					

* = Restricted Codes

St = Status
EDIFACT: M=Mandatory, C=Conditional
User specific: R=Required, O=Optional, D=Dependent,
A=Advised, N=Not used, X=Not used

Segment Details

Segment number: 46

SG10	- C	9999 - CPS-SG11-SG15			
SG15	- C	9999 - LIN-PIA-IMD-MEA-QTY-SG16-SG20-SG23			
PIA	- C	10 - Item number of the buyer			
Function: To specify additional or substitutional item identification codes					
EDIFACT			EAN		
Tag	Name	St/Format	St	*	Usage
4347	Product id. function qualifier	M an..3	M		1 = Additional identification
C212	ITEM NUMBER IDENTIFICATION	M	M		
7140	Item number	C an..35	C		
7143	Item number type, coded	C an..3	C		BP = Buyer's part number IN = Buyer's item number
Segment Notes: Example: PIA+1+BY ARTNO 9876:BP'					

* = Restricted Codes

St = Status
EDIFACT: M=Mandatory, C=Conditional
User specific: R=Required, O=Optional, D=Dependent,
A=Advised, N=Not used, X=Not used

Segment Details

Segment number: 47

SG10	- C	9999 - CPS-SG11-SG15			
SG15	- C	9999 - LIN-PIA-IMD-MEA-QTY-SG16-SG20-SG23			
PIA	- C	10 - Promotional goods			
Function: To specify additional or substitutional item identification codes					
EDIFACT			EAN		
Tag	Name	St/Format	St	*	Usage
4347	Product id. function qualifier	M an..3	M		1 = Additional identification
C212	ITEM NUMBER IDENTIFICATION	M	M		
7140	Item number	C an..35	C		
7143	Item number type, coded	C an..3	C		PV = Promotional variant number
1131	Code list qualifier	C an..3	N		
3055	Code list responsible agency, coded	C an..3	C		9 = EAN (International Article Numbering association) 91 = Assigned by supplier or supplier's agent 92 = Assigned by buyer or buyer's agent
Segment Notes: Example: PIA+1+PV 4711:PV::91'					

* = Restricted Codes

St = Status
EDIFACT: M=Mandatory, C=Conditional
User specific: R=Required, O=Optional, D=Dependent,
A=Advised, N=Not used, X=Not used

Segment Details

Segment number: 48

SG10	- C	9999 - CPS-SG11-SG15	
SG15	- C	9999 - LIN-PIA-IMD-MEA-QTY-SG16-SG20-SG23	
IMD	- C	25 - Product / service description (free text)	
Function:			
To describe an item in either an industry or free format			
EDIFACT		EAN	
Tag	Name	St/Format	St * Usage
7077	Item description type, coded	C an..3	C F = Free-form
7081	Item characteristic, coded	C an..3	N
C273	ITEM DESCRIPTION	C	C
7009	Item description identification	C an..17	N
1131	Code list qualifier	C an..3	N
3055	Code list responsible agency, coded	C an..3	N
7008	Item description	C an..35	C
Segment Notes:			
Example: IMD+F++:::Text 1'			

* = Restricted Codes

St = Status
EDIFACT: M=Mandatory, C=Conditional
User specific: R=Required, O=Optional, D=Dependent,
A=Advised, N=Not used, X=Not used

Segment Details

Segment number: 49

SG10	- C	9999 - CPS-SG11-SG15	
SG15	- C	9999 - LIN-PIA-IMD-MEA-QTY-SG16-SG20-SG23	
MEA	- C	10 - Measurements	
Function:			
To specify physical measurements, including dimension tolerances, weights and counts			
EDIFACT		EAN	
Tag	Name	St/Format	St * Usage
6311	Measurement application qualifier	M an..3	M PD = Physical dimensions
C502	MEASUREMENT DETAILS	C	C
6313	Measurement dimension, coded	C an..3	C AAW = Gross volume
C174	VALUE/RANGE	C	C
6411	Measure unit qualifier	M an..3	M LTR = litre MTQ = cubic metre
6314	Measurement value	C n..18	C
Segment Notes:			
Example: MEA+PD+AAW+LTR:1'			

* = Restricted Codes

St = Status
EDIFACT: M=Mandatory, C=Conditional
User specific: R=Required, O=Optional, D=Dependent,
A=Advised, N=Not used, X=Not used

Segment Details

Segment number: 50

SG10	- C	9999 - CPS-SG11-SG15	
SG15	- C	9999 - LIN-PIA-IMD-MEA-QTY-SG16-SG20-SG23	
MEA	- C	10 - Measurements	
Function:			
To specify physical measurements, including dimension tolerances, weights and counts			
EDIFACT		EAN	
Tag	Name	St/Format	St * Usage
6311	Measurement application qualifier	M an..3	M PD = Physical dimensions (product ordered)
C502	MEASUREMENT DETAILS	C	C
6313	Measurement dimension, coded	C an..3	C AAA = Unit net weight AAB = Unit gross weight
C174	VALUE/RANGE	C	C
6411	Measure unit qualifier	M an..3	M KGM = Kilogram TNE = Metric ton (1000kg)
6314	Measurement value	C n..18	C
Segment Notes:			
Weight information (gross and net weight) must be sent when a weight-variable item is notified.			
Example:			
MEA+PD+AAA+TNE:4'			
MEA+PD+AAB+KGM:4500'			

* = Restricted Codes

St = Status
EDIFACT: M=Mandatory, C=Conditional
User specific: R=Required, O=Optional, D=Dependent,
A=Advised, N=Not used, X=Not used

Segment Details

Segment number: 51

SG10	- C	9999 - CPS-SG11-SG15	
SG15	- C	9999 - LIN-PIA-IMD-MEA-QTY-SG16-SG20-SG23	
MEA	- C	10 - Measurements	
Function:			
To specify physical measurements, including dimension tolerances, weights and counts			
EDIFACT		EAN	
Tag	Name	St/Format	St * Usage
6311	Measurement application qualifier	M an..3	M PD = Physical dimensions (product ordered)
C502	MEASUREMENT DETAILS	C	C
6313	Measurement dimension, coded	C an..3	C HT = Height dimension WD = Width dimension LN = Length dimension
C174	VALUE/RANGE	C	C
6411	Measure unit qualifier	M an..3	M MMT = Millimetre CMT = Centimetre MTR = Metre
6314	Measurement value	C n..18	C
Segment Notes:			
Example:			
MEA+PD+HT+CMT:4'			
MEA+PD+WD+CMT:4'			
MEA+PD+LN+MMT:40'			

* = Restricted Codes

St = Status
EDIFACT: M=Mandatory, C=Conditional
User specific: R=Required, O=Optional, D=Dependent,
A=Advised, N=Not used, X=Not used

Segment Details

Segment number: 52

SG10	- C	9999 - CPS-SG11-SG15	
SG15	- C	9999 - LIN-PIA-IMD-MEA-QTY-SG16-SG20-SG23	
QTY	- C	10 - Quantity	
Function:			
To specify a pertinent quantity			
EDIFACT		EAN	
Tag	Name	St/Format	St * Usage
C186	QUANTITY DETAILS	M	M
6063	Quantity qualifier	M an..3	M 12 = Despatch quantity 21 = Ordered quantity 192 = Free goods quantity
6060	Quantity	M n..15	M
6411	Measure unit qualifier	C an..3	C PCE = Piece KGM = Kilogram
Segment Notes:			
Example:			
QTY+12:5:PCE'			
QTY+192:2:PCE'			
QTY+21:9:PCE'			
Weight items:			
A weight item (a so-called "weight variable item") is an item with the base unit of measure kilogram.			
e.g. 1 pack of apples with approx. 1 kg			
An equalized weight item ("equalized" / "calibrated" / "dual piece or weight item") is also an item that contains "kilogram" in the text description, but whose base unit of measure is piece.			
e.g. 1 pack of 500g sugar			
When specifying weight items (also equalized weight items), the number of packaging units (e.g. boxes) must be specified here.			

* = Restricted Codes

St = Status
EDIFACT: M=Mandatory, C=Conditional
User specific: R=Required, O=Optional, D=Dependent,
A=Advised, N=Not used, X=Not used

Segment Details

Segment number: 53

SG10	- C	9999 - CPS-SG11-SG15			
SG15	- C	9999 - LIN-PIA-IMD-MEA-QTY-SG16-SG20-SG23			
SG16	- C	10 - RFF			
RFF	- M	1 - Order / order number (buyer)			
Function: To specify a reference					
EDIFACT			EAN		
Tag	Name	St/Format	St	*	Usage
C506	REFERENCE	M	M		
1153	Reference qualifier	M an..3	M		ON = Order number (buyer)
1154	Reference number	C an..35	M		
1156	Line number	C an..6	C		
Segment Notes:					
For orders in connection with our Fruchtkontor, we expect the line number (from the order) to be given in the RFF + LI.					
Example: RFF+ON:ORDER 951:110'					

* = Restricted Codes

St = Status
EDIFACT: M=Mandatory, C=Conditional
User specific: R=Required, O=Optional, D=Dependent,
A=Advised, N=Not used, X=Not used

Segment Details

Segment number: 54

SG10	- C	9999 - CPS-SG11-SG15			
SG15	- C	9999 - LIN-PIA-IMD-MEA-QTY-SG16-SG20-SG23			
SG16	- C	10 - RFF			
RFF	- M	1 - Delivery note number (supplier)			
Function: To specify a reference					
EDIFACT			EAN		
Tag	Name	St/Format	St	*	Usage
C506	REFERENCE	M	M		
1153	Reference qualifier	M an..3	M		DQ = Delivery note number
1154	Reference number	C an..35	M		
1156	Line number	C an..6	C		
Segment Notes: Example: RFF+DQ:987654321:10'					

* = Restricted Codes

St = Status
EDIFACT: M=Mandatory, C=Conditional
User specific: R=Required, O=Optional, D=Dependent,
A=Advised, N=Not used, X=Not used

Segment Details

Segment number: 55

SG10	- C	9999 - CPS-SG11-SG15			
SG15	- C	9999 - LIN-PIA-IMD-MEA-QTY-SG16-SG20-SG23			
SG20	- C	9999 - PCI-DTM-SG21			
PCI	- M	1 - Package identification			
Function: To specify markings and labels on individual packages or physical units.					
EDIFACT			EAN		
Tag	Name	St/Format	St	*	Usage
4233	Marking instructions, coded	C an..3	M		17 = Supplier's instructions 39E = Marked with best before date (EAN Code) 16 = Buyer's instructions
C210	MARKS & LABELS	C	C		
7102	Shipping marks	M an..35	M		
Segment Notes: Example: PCI+16+Code:Descr' PCI+17'					

* = Restricted Codes

St = Status
EDIFACT: M=Mandatory, C=Conditional
User specific: R=Required, O=Optional, D=Dependent,
A=Advised, N=Not used, X=Not used

Segment Details

Segment number: 56

SG10	- C	9999 - CPS-SG11-SG15			
SG15	- C	9999 - LIN-PIA-IMD-MEA-QTY-SG16-SG20-SG23			
SG20	- C	9999 - PCI-DTM-SG21			
DTM	- C	5 - Best before date			
Function: To specify date, and/or time, or period					
EDIFACT			EAN		
Tag	Name	St/Format	St	*	Usage
C507	DATE/TIME/PERIOD	M	M		
2005	Date/time/period qualifier	M an..3	M		361 = Best before date
2380	Date/time/period	C an..35	C		
2379	Date/time/period format qualifier	C an..3	C		102 = CCYYMMDD
Segment Notes: Example: DTM+361:20200720:102'					

* = Restricted Codes

St = Status
EDIFACT: M=Mandatory, C=Conditional
User specific: R=Required, O=Optional, D=Dependent,
A=Advised, N=Not used, X=Not used

Segment Details

Segment number: 57

SG10	- C	9999 - CPS-SG11-SG15			
SG15	- C	9999 - LIN-PIA-IMD-MEA-QTY-SG16-SG20-SG23			
SG20	- C	9999 - PCI-DTM-SG21			
SG21	- C	10 - GIN			
GIN	- M	1 - Serial number / batch number			
Function:					
To give specific identification numbers, either as single numbers or ranges					
EDIFACT			EAN		
Tag	Name	St/Format	St	*	Usage
7405	Identity number qualifier	M an..3	M		BN = Serial number BX = Batch number
C208	IDENTITY NUMBER RANGE	M	M		
7402	Identity number	M an..35	M		
Segment Notes:					
Example: GIN+BX+BATCH 01'					

* = Restricted Codes

St = Status
EDIFACT: M=Mandatory, C=Conditional
User specific: R=Required, O=Optional, D=Dependent,
A=Advised, N=Not used, X=Not used

Segment Details

Segment number: 58

SG10	- C	9999 - CPS-SG11-SG15
SG15	- C	9999 - LIN-PIA-IMD-MEA-QTY-SG16-SG20-SG23
SG23	- C	10 - QVR
QVR	- M	1 - Quantity variances
Function: To specify item details relating to quantity variances		
EDIFACT		EAN
Tag	Name	St/Format
C279	QUANTITY DIFFERENCE INFORMATION	C
6064	Quantity difference	M n..15
6063	Quantity qualifier	C an..3
4221	Discrepancy, coded	C an..3
		21 = Ordered quantity AC = Over-shipped BP = Shipment partial - back order to follow CP = Shipment partial - considered complete, no backorder
Segment Notes: Example: QVR+-4:21+BP'		

* = Restricted Codes

St = Status
 EDIFACT: M=Mandatory, C=Conditional
 User specific: R=Required, O=Optional, D=Dependent,
 A=Advised, N=Not used, X=Not used

Segment Details

Segment number: 59

UNT - M 1 - MESSAGE TRAILER					
Function: To end and check the completeness of a message					
EDIFACT			EAN		
Tag	Name	St/Format	St	*	Usage
0074	Number of segments in a message	M n..6	M		
0062	Message reference number	M an..14	M		
Segment Notes: Example: UNT+57+9876'					

* = Restricted Codes

St = Status
 EDIFACT: M=Mandatory, C=Conditional
 User specific: R=Required, O=Optional, D=Dependent,
 A=Advised, N=Not used, X=Not used

Segment Details

Segment number: 60

UNZ - M 1 - INTERCHANGE TRAILER					
Function: To end and check the completeness of a message					
EDIFACT			EAN		
Tag	Name	St/Format	St	*	Usage
0036	Interchange control count	M n..6	M		
0020	Interchange control reference	M an..14	M		
Segment Notes: Example: UNZ+1+1234'					

* = Restricted Codes

St = Status
EDIFACT: M=Mandatory, C=Conditional
User specific: R=Required, O=Optional, D=Dependent,
A=Advised, N=Not used, X=Not used

Sample message

No	Tag	Example
01	UNA	UNA:+.? '
02	UNB	UNB+UNOC:3+SUPPLIER:14+4311501990018:14+200625:1536+1234+++++1'
03	UNH	UNH+9876+DESADV:D:96A:UN:EAN005'
04	BGM	BGM+351+456321987+9' BGM+YA5+987654321+9' BGM+YA6+123456789+9' BGM+YA7+321456987+9'
05	DTM	DTM+137:20200217:102
06	DTM	DTM+11:20200216:102
07	DTM	DTM+2:20200216:102
08	DTM	DTM+17:20200216:102
09	DTM	DTM+200:20200215:102
	SG1	
10	RFF	RFF+ON:4711'
	SG1	
11	RFF	RFF+VN:0815'
	SG1	
12	RFF	RFF+DQ:4714'
	SG1	
13	RFF	RFF+AAN:4715'
	SG1	
14	RFF	RFF+AAQ:4716'
	SG2	
15	NAD	NAD+BY+4311560000000::9'
	SG2	
16	NAD	NAD+IV+4311560000000::9'
	SG2	
17	NAD	NAD+PW+4033988000003::9'
	SG2	
18	NAD	NAD+DP+4314319998306::9++Name 1:Name 2:Name 3:Name 4+Strasse 1:Strasse 2: Strasse 3+Ort++12345+DE' NAD+DP+4314319998306::9++Name 1:Name 2:Name 3:Name 4+Street 1:Street 2:Street 3+City++12345+DE'
	SG2	
19	NAD	NAD+UC+4314318578080::9++Name 1:Name 2:Name 3:Name 4+Strasse 1:Strasse 2: Strasse 3+Ort++12345+DE' NAD+UC+4314319998306::9++Name 1:Name 2:Name 3:Name 4+Street 1:Street 2:Street 3+City++12345+DE'
	SG2	
20	NAD	NAD+SU+4398465213564::9'
	SG2	
21	NAD	NAD+FW+4033988000003::9'
	SG8	
22	EQD	EQD+UL'
23	MEA	MEA+PD+AAW+LTR:100'
24	SEL	SEL+SEAL+CU'
	SG10	
25	CPS	CPS+1'
	SG11	
26	PAC	PAC+10++201::9'
27	MEA	MEA+PD+AAD+KGM:10' MEA+PD+AAW+MTQ:29'
	SG13	

No = Consecutive segment number

Sample message

No	Tag	Example
28	PCI	PCI+33E'
	SG14	
29	GIN	GIN+BJ+345678901234567895:345678901234567901'
	SG13	
30	PCI	PCI+IEN+123456789012345678'
	SG10	
31	CPS	CPS+2+1'
	SG11	
32	PAC	PAC+1++201::9'
33	MEA	MEA+PD+AAA+KGM:5' MEA+PD+AAB+KGM:6' MEA+PD+AAW+LTR:2' MEA+PD+HT+MMT:200' MEA+PD+LN+MMT:250' MEA+PD+WD+MMT:570'
	SG13	
34	PCI	PCI+33E'
	SG13	
35	PCI	PCI+17'
	SG14	
36	GIN	GIN+BJ+345678901234567918' GIN+DB+98765432123456789' GIN+BN+47110815' GIN+BX+202006221234'
	SG14	
37	GIN	GIN+SRV+48120916'
	SG10	
38	CPS	CPS+3+2'
	SG11	
39	PAC	PAC+1++201::9'
40	MEA	MEA+PD+AAA+KGM:5' MEA+PD+AAB+KGM:6' MEA+PD+AAW+MTQ:6' MEA+PD+LN+MTR:1' MEA+PD+HT+MTR:2' MEA+PD+WD+MTR:3'
	SG13	
41	PCI	PCI+17' PCI+33E'
	SG14	
42	GIN	GIN+BJ+987654321987654321' GIN+DB+98765432123456789' GIN+BN+47110815' GIN+BX+202006221234' GIN+SRV+48120916'
	SG15	
43	LIN	LIN+1++1234567890128:EN'
44	PIA	PIA+5+SU IDENT 1234:SA::91'
45	PIA	PIA+1+SU ARTNO 5678:SA'
46	PIA	PIA+1+BY ARTNO 9876:BP'
47	PIA	PIA+1+PV 4711:PV::91'
48	IMD	IMD+F++:::Text 1'
49	MEA	MEA+PD+AAW+LTR:1'
50	MEA	MEA+PD+AAA+TNE:4' MEA+PD+AAB+KGM:4500'

No = Consecutive segment number

Sample message

No	Tag	Example
51	MEA	MEA+PD+HT+CMT:4' MEA+PD+WD+CMT:4' MEA+PD+LN+MMT:40'
52	QTY	QTY+12:5:PCE' QTY+192:2:PCE' QTY+21:9:PCE'
	SG16	
53	RFF	RFF+ON:ORDER 951:110'
	SG16	
54	RFF	RFF+DQ:987654321:10'
	SG20	
55	PCI	PCI+16+Code:Descr' PCI+17'
56	DTM	DTM+361:20200720:102'
	SG21	
57	GIN	GIN+BX+BATCH 01'
	SG23	
58	QVR	QVR+-4:21+BP'
59	UNT	UNT+57+9876'
60	UNZ	UNZ+1+1234'

No = Consecutive segment number