

---

Message Implementation Guideline

## **EDEKA DESADV RCV**

based on

### **DESADV**

Despatch advice message

**EANCOM® 2002 S3**

Version: D01B  
Variant: 2.5  
Issue date: 29.03.2021  
Author: EDEKA DIGITAL GmbH



## Table of Contents

---

Message Structure.....	3
Branching Diagram .....	5
Segments.....	15
Sample Message.....	77

St = Status

EDIFACT: M=Muss/Mandatory, C=Conditional

Anwendung: R=Erforderlich/Required, O=Optional, D=Abhängig von/Dependent, A=Empfohlen/Advised, N=Nicht benutzt/Not used,  
X=Nicht benutzt/Not used

**Message Structure Chart**

UNA	1	C	1	- Service string advice
UNB	2	M	1	- Interchange header
UNH	3	M	1	- Message header
BGM	4	M	1	- Beginning of message
DTM	5	M	1	- Document/ message date
DTM	6	R	1	- Delivery date, requested
DTM	7	R	1	- Delivery date, estimated
SG1		M	1	- Order number reference
RFF	8	M	1	- Order Number (Buyer)
SG1		O	1	- Reference to the order number
RFF	9	M	1	- Order Number (Supplier)
SG1		R	1	- Reference to the delivery note number
RFF	10	M	1	- Delivery Receipt Number
SG1		O	1	- Reference to the scheduling agreement number
RFF	11	M	1	- Delivery Schedule Number
SG1		O	1	- Reference to the loading / transport identification number
RFF	12	M	1	- Loading / transport identification number
SG2		R	1	- Buyer
NAD	13	M	1	- Name and address of buyer
SG2		C	99	- invoice recipient
NAD	14	M	1	- Name and address of invoice recipient
SG2		C	99	- transfer point - partner
NAD	15	M	1	- Identification of the transfer point - partner with whom the goods are to be picked up or taken over (i.e. if they differ from the sender).
SG2		C	99	- consignee
NAD	16	M	1	- Consignee identification
SG2		C	99	- ultimate consignee
NAD	17	M	1	- Informations about the ultimate consignee
SG2		C	99	- Supplier
NAD	18	M	1	- Supplier identification
SG2		C	99	- carrier
NAD	19	M	1	- Identification of the carrier
SG8		C	10	- EQD-MEA-SEL
EQD	20	M	1	- Unit of equipment
MEA	21	C	5	- Measurements
SEL	22	C	25	- Seal number
SG10		C	9999	- CPS-SG11
CPS	23	M	1	- Consignment packing sequence
SG11		C	9999	- PAC-MEA-SG13-SG13
PAC	24	M	1	- Number of packages (shipping units)
MEA	25	C	10	- Measurements
SG13		C	1000	- PCI-SG15
PCI	26	M	1	- Packstückkennzeichnung mit NVE (Sendung) Package marking with SSCC (consignment)
SG15		C	99	- GIN
GIN	27	M	1	- Shipping unit number (SSCC)
SG13		C	1000	- PCI
PCI	28	M	1	- Package identification with package number (shipment)
SG10		C	9999	- CPS-SG11
CPS	29	M	1	- Consignment packing sequence
SG11		C	9999	- PAC-MEA-SG13-SG13
PAC	30	M	1	- Number of packages (shipment)
MEA	31	C	10	- Measurements

St = Status

EDIFACT: M=Mandatory, C=Conditional

User specific: R=Required, O=Optional, D=Dependent, A=Advised, N=Not used, X=Not used

**Message Structure Chart**

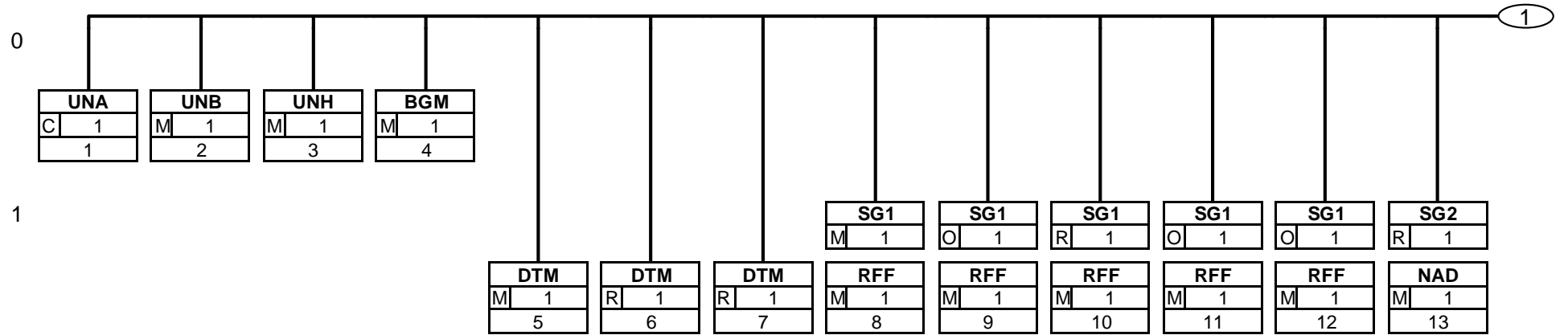
SG 13	C	1000	- PCI
PCI	32	M 1	- Package identification with package number (shipment)
SG 13	D	1000	- PCI-SG15-SG15
PCI	33	M 1	- Identification with the pallet number (shipment)
SG 15	C	99	- GIN
GIN	34	M 1	- Shipping unit number (SSCC)
SG 15	D	99	- GIN
GIN	35	M 1	- Pallet number
SG 10	C	9999	- CPS-SG11-SG17
CPS	36	M 1	- Consignment packing sequence
SG 11	C	9999	- PAC-MEA-SG13
PAC	37	M 1	- Number of packages (shipment)
MEA	38	C 10	- Measurements
SG 13	D	1000	- PCI-SG15
PCI	39	M 1	- Package identification with package number (shipment)
SG 15	D	99	- GIN
GIN	40	M 1	- Shipping unit number (SSCC)
SG 17	C	9999	- LIN-PIA-PIA-PIA-PIA-IMD-MEA-MEA-MEA-QTY-SG18-SG22-SG25
LIN	41	M 1	- Item position
PIA	42	C 10	- Supplier part number
PIA	43	C 10	- Supplier article number (secondary identification)
PIA	44	C 10	- Promotional goods
PIA	45	C 10	- Batch number
IMD	46	C 25	- Product / service description (free text)
MEA	47	D 10	- Weights
MEA	48	C 10	- Dimensions
MEA	49	C 10	- Volume
QTY	50	C 10	- Quantity
SG 18	C	99	- RFF
RFF	51	M 1	- Order / order number (buyer)
SG 22	C	9999	- PCI-DTM-SG23
PCI	52	M 1	- Package identification
DTM	53	C 5	- best-before date
SG 23	C	10	- GIN
GIN	54	M 1	- Serial number / batch number
SG 25	C	10	- QVR
QVR	55	M 1	- Quantity variances
UNT	56	M 1	- Message trailer
UNZ	57	M 1	- Interchange trailer

St = Status

EDIFACT: M=Mandatory, C=Conditional

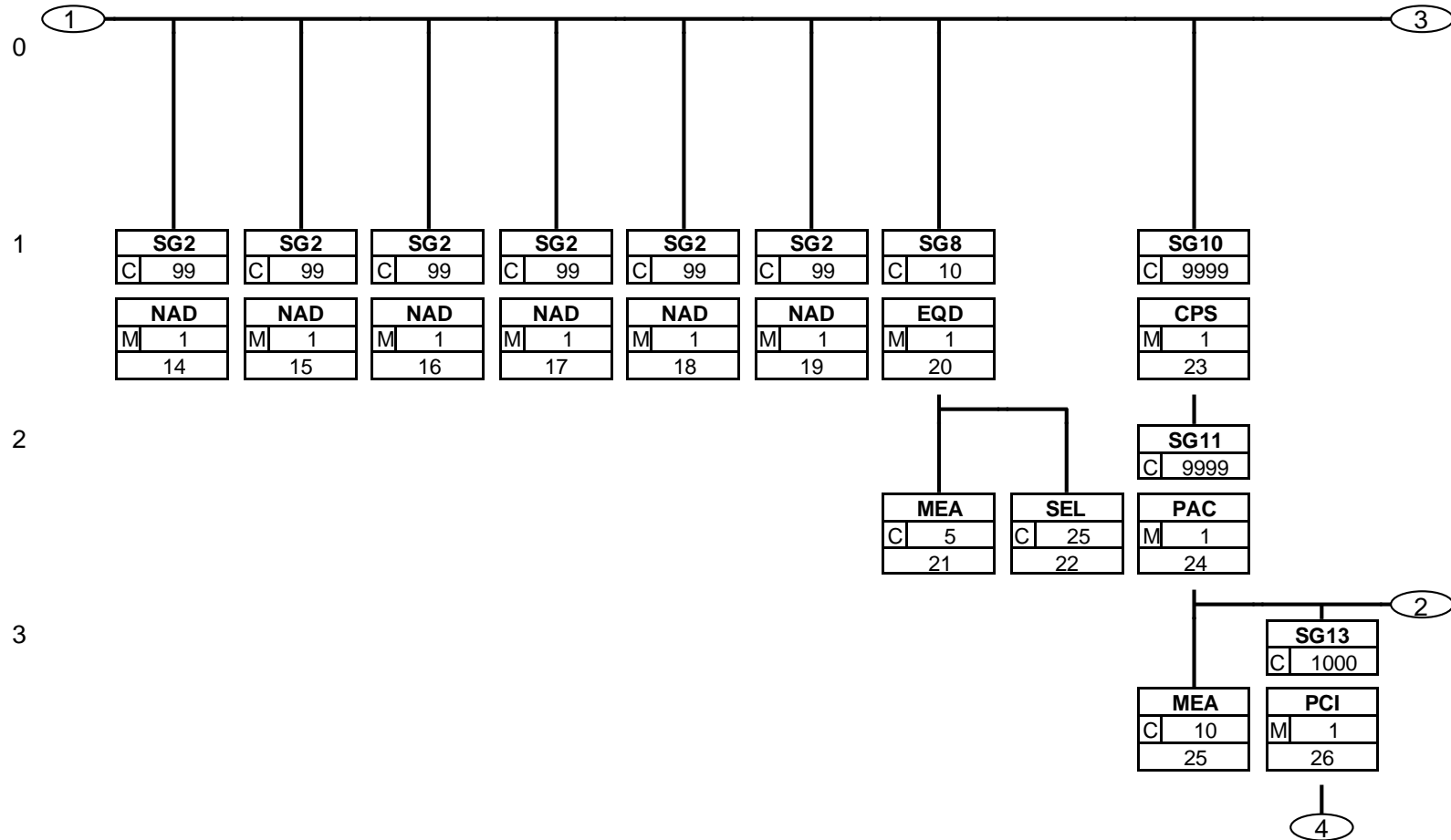
User specific: R=Required, O=Optional, D=Dependent, A=Advised, N=Not used, X=Not used

**Branching Diagram**



Status: M=Mandatory, C=Conditional, R=Required, O=Optional, D=Dependent, A=Advised, N=Not used, X=Not used

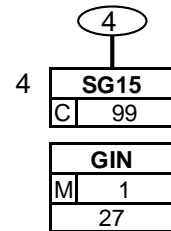
**Branching Diagram**



Status: M=Mandatory, C=Conditional, R=Required, O=Optional, D=Dependent, A=Advised, N=Not used, X=Not used

**Branching Diagram**

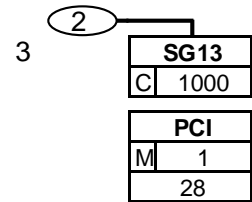
---



Status: M=Mandatory, C=Conditional, R=Required, O=Optional, D=Dependent, A=Advised, N=Not used, X=Not used

### Branching Diagram

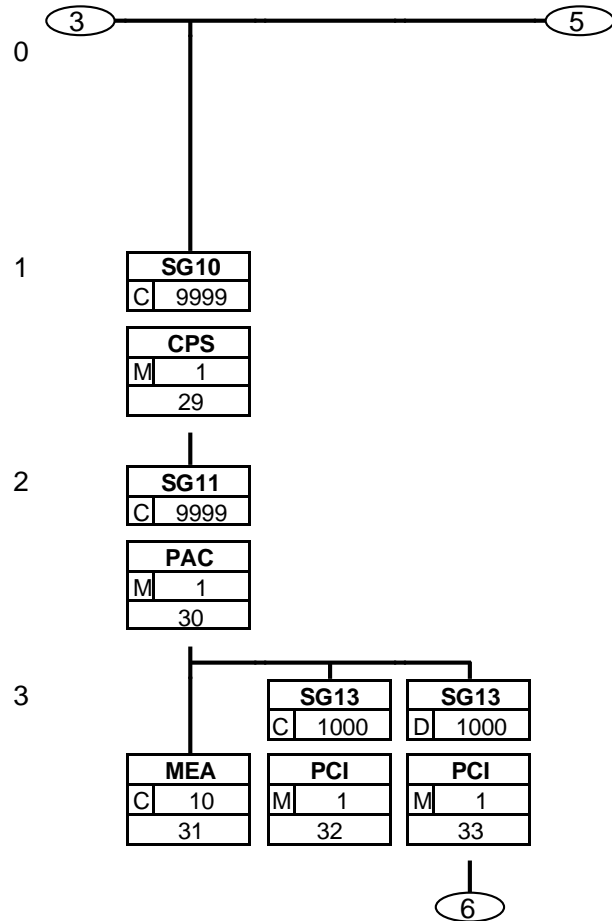
---



Status: M=Mandatory, C=Conditional, R=Required, O=Optional, D=Dependent, A=Advised, N=Not used, X=Not used



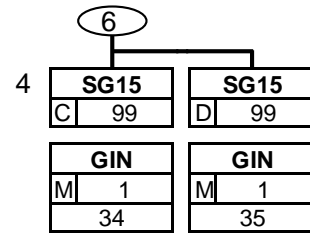
**Branching Diagram**



Status: M=Mandatory, C=Conditional, R=Required, O=Optional, D=Dependent, A=Advised, N=Not used, X=Not used

**Branching Diagram**

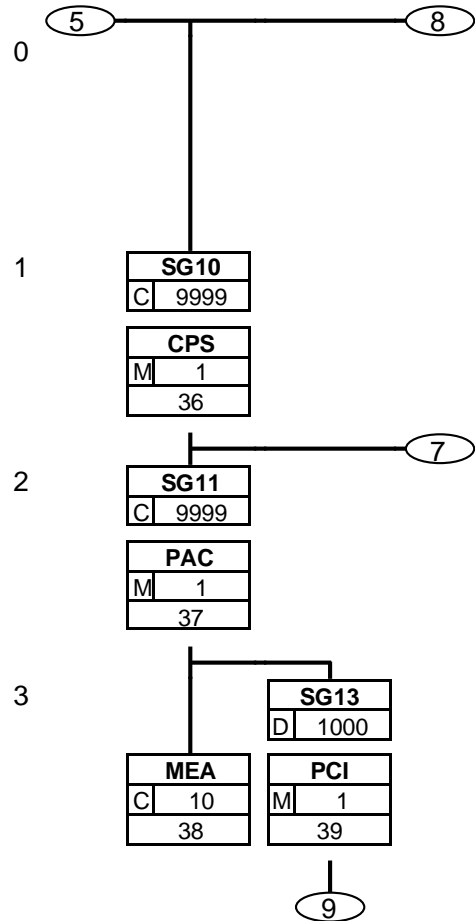
---



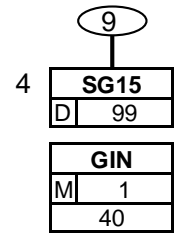
Status: M=Mandatory, C=Conditional, R=Required, O=Optional, D=Dependent, A=Advised, N=Not used, X=Not used

### Branching Diagram

---



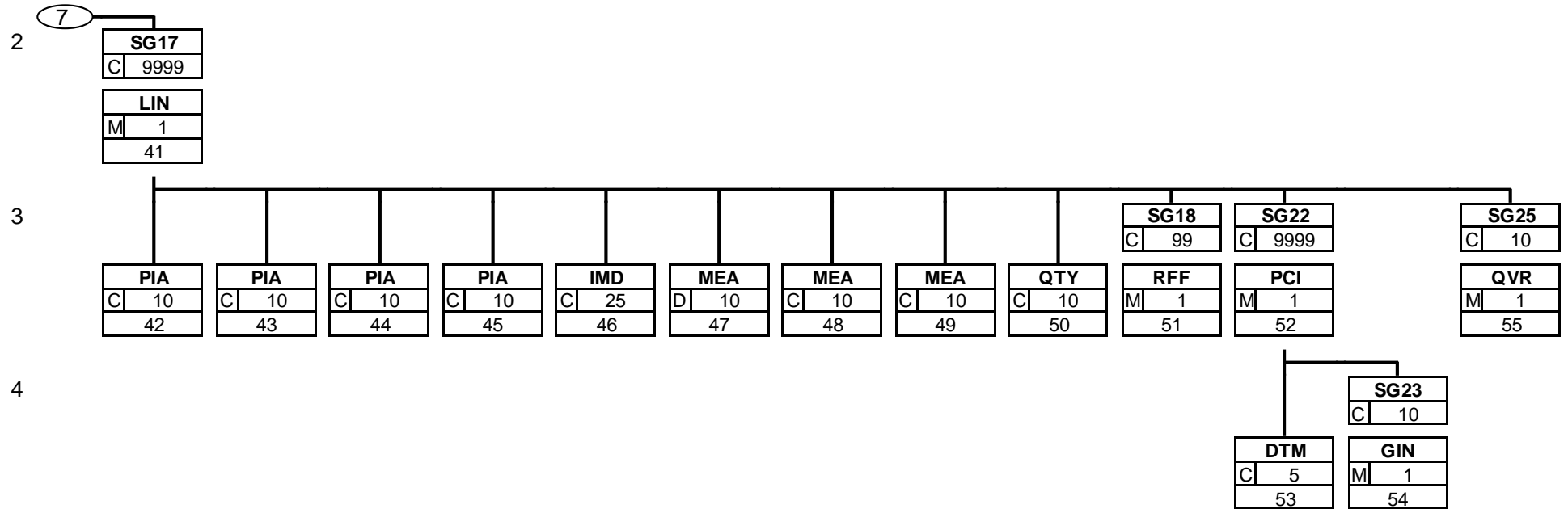
Status: M=Mandatory, C=Conditional, R=Required, O=Optional, D=Dependent, A=Advised, N=Not used, X=Not used



---

Status: M=Mandatory, C=Conditional, R=Required, O=Optional, D=Dependent, A=Advised, N=Not used, X=Not used

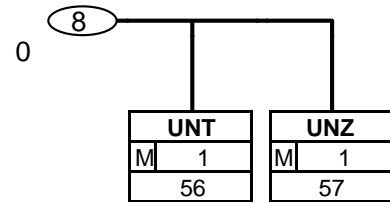
**Branching Diagram**



Status: M=Mandatory, C=Conditional, R=Required, O=Optional, D=Dependent, A=Advised, N=Not used, X=Not used

**Branching Diagram**

---



---

Status: M=Mandatory, C=Conditional, R=Required, O=Optional, D=Dependent, A=Advised, N=Not used, X=Not used

**Segment Details**

Segment number: 1

EDIFACT						EAN	
Tag	Name	St/Format	St	*	Usage		
UNA1	Component data element separator	M an1	<b>M</b>		default value: ":"		
UNA2	Data element separator	M an1	<b>M</b>		default value: "+"		
UNA3	Decimal notation	M an1	<b>M</b>		default value: "."		
UNA4	Release indicator	M an1	<b>M</b>		default value: "?"		
UNA5	Reserved for future use	M an1	<b>M</b>		default value : space		
UNA6	Segment terminator	M an1	<b>M</b>		default value : " ' "		

Segment Notes:  
Example:  
UNA:+.? '

\* = Restricted Codes

St = Status

EDIFACT: M=Mandatory, C=Conditional

User specific: R=Required, O=Optional, D=Dependent,

A=Advised, N=Not used, X=Not used

**Segment Details**

Segment number: 2

UNB - M 1 - Interchange header					
Function: This segment is used to envelope the interchange, as well as to identify the receiver and the sender of the interchange.					
EDIFACT			EAN		
Tag	Name	St/Format	St	*	Usage
S001	SYNTAX IDENTIFIER	M	<b>M</b>		
0001	Syntax identifier	M a4	<b>M</b>		UNOC = <b>UN/ECE level C</b>
0002	Syntax version number	M n1	<b>M</b>		3 = <b>Version 3</b>
S002	INTERCHANGE SENDER	M	<b>M</b>		
0004	Sender identification	M an..35	<b>M</b>		Format n13 Sender identification
0007	Partner identification code qualifier	C an..4	<b>R</b>		14 = <b>EAN International</b>
S003	INTERCHANGE RECIPIENT	M	<b>M</b>		
0010	Recipient identification	M an..35	<b>M</b>		Format n13 Recipient identification
0007	Partner identification code qualifier	C an..4	<b>R</b>		14 = <b>EAN International</b>
S004	DATE/TIME OF PREPARATION	M	<b>M</b>		
0017	Date of preparation	M n6	<b>M</b>		preparation date, format YYMMDD
0019	Time of preparation	M n4	<b>M</b>		preparation time, format HHMM
0020	Interchange control reference	M an..14	<b>M</b>		Interchange control reference
S005	RECIPIENT'S REFERENCE, PASSWORD	C	<b>N</b>		Recipient's Reference Password
0022	Recipient's reference/password	M an..14	<b>N</b>		
0026	Application reference	C an..14	<b>N</b>		
0029	Processing priority code	C a1	<b>N</b>		
0031	Acknowledgement request	C n1	<b>N</b>		
0032	Communications agreement ID	C an..35	<b>N</b>		
0035	Test indicator	C n1	<b>O</b>		1 = <b>Interchange is a test</b>
Segment Notes: Example: UNB+UNOC:3+SUPPLIER:14+4311501990018:14+200622:1536+1234+++++1'					

\* = Restricted Codes

St = Status

EDIFACT: M=Mandatory, C=Conditional

User specific: R=Required, O=Optional, D=Dependent,

A=Advised, N=Not used, X=Not used



**Segment Details**

Segment number: 3

UNH - M 1 - Message header					
Function: To head, identify and specify a message.					
EDIFACT			EAN		
Tag	Name	St/Format	St	*	Usage
0062	Message reference number	M an..14	<b>M</b>		
S009	MESSAGE IDENTIFIER	M	<b>M</b>		
0065	Message type	M an..6	<b>M</b>		DESADV = <b>Despatch advice message</b>
0052	Message version number	M an..3	<b>M</b>		D = <b>Draft version/UN/EDIFACT Directory</b>
0054	Message release number	M an..3	<b>M</b>		01B = <b>Release 2001 - B</b>
0051	Controlling agency	M an..2	<b>M</b>		UN = <b>UN/CEFACT</b>
0057	Association assigned code	C an..6	<b>C</b>		EAN007 = <b>EAN version control number (EAN Code)</b>
Segment Notes: Unique message reference of the sender. Serial number of messages in data exchange. Identical to DE 0062 in the UNT. Awarded by the broadcaster.  Example: UNH+9876+DESADV:D:01B:UN:EAN007'					

\* = Restricted Codes

St = Status

EDIFACT: M=Mandatory, C=Conditional

User specific: R=Required, O=Optional, D=Dependent,

A=Advised, N=Not used, X=Not used

**Segment Details**

Segment number: 4

BGM - M 1 - Beginning of message					
Function: To indicate the type and function of a message and to transmit the identifying number.					
EDIFACT			EAN		
Tag	Name	St/Format	St	*	Usage
C002	DOCUMENT/MESSAGE NAME	C	<b>M</b>		
1001	Documentname code	C an..3	<b>M</b>		351 = Despatch advice YA5 = Intermediate handling cross docking despatch advice (EAN Code) YA6 = Pre-packed cross docking [transshipment] despatch advice (EAN Code) YA7 = Consignment despatch advice (EAN Code)
C106	DOCUMENT/MESSAGE IDENTIFICATION	C	<b>C</b>		
1004	Document identifier	C an..35	<b>M</b>		
1225	Message function code	C an..3	<b>M</b>		9 = Original
Segment Notes: Examples: BGM+351+87441+9' BGM+YA5+87441+9' BGM+YA6+87441+9' BGM+YA7+87441+9'					

\* = Restricted Codes

St = Status

EDIFACT: M=Mandatory, C=Conditional

User specific: R=Required, O=Optional, D=Dependent,

A=Advised, N=Not used, X=Not used

**Segment Details**

Segment number: 5

<b>DTM</b> - M 1 - Document / message date					
Function: To specify date, and/or time, or period.					
EDIFACT			EAN		
Tag	Name	St/Format	St	*	Usage
C507	DATE/TIME/PERIOD	M	<b>M</b>		
2005	date Qualifier	M an..3	<b>M</b>		137 = Document/message date/time
2380	date value	C an..35	<b>R</b>		Format n..35
2379	date format	C an..3	<b>R</b>		102 = CCYYMMDD 203 = CCYYMMDDHHMM
Segment Notes: Example: DTM+137:20200622:102'					

\* = Restricted Codes

St = Status

EDIFACT: M=Mandatory, C=Conditional

User specific: R=Required, O=Optional, D=Dependent,

A=Advised, N=Not used, X=Not used

**Segment Details**

Segment number: 6

DTM - R 1 - Delivery date, requested					
Function: To specify date, and/or time, or period.					
EDIFACT			EAN		
Tag	Name	St/Format	St	*	Usage
C507	DATE/TIME/PERIOD	M	<b>M</b>		
2005	date Qualifier	M an..3	<b>M</b>		2 = Delivery date/time, requested
2380	date value	C an..35	<b>R</b>		Format n..35
2379	date format	C an..3	<b>R</b>		102 = CCYYMMDD 203 = CCYYMMDDHHMM
Segment Notes: Example: DTM+2:20200623:102' DTM+2:202006231500:203'					

\* = Restricted Codes

St = Status

EDIFACT: M=Mandatory, C=Conditional

User specific: R=Required, O=Optional, D=Dependent,

A=Advised, N=Not used, X=Not used

**Segment Details**

Segment number: 7

DTM - R 1 - Delivery date, estimated					
Function: To specify date, and/or time, or period.					
EDIFACT			EAN		
Tag	Name	St/Format	St	*	Usage
C507	DATE/TIME/PERIOD	M	<b>M</b>		
2005	date Qualifier	M an..3	<b>M</b>		17 = Delivery date/time, estimated
2380	date value	C an..35	<b>R</b>		Format n..35
2379	date format	C an..3	<b>R</b>		102 = CCYYMMDD 203 = CCYYMMDDHHMM
Segment Notes: Examples: DTM+17:20200623:102' DTM+17:202006231500:203'					

\* = Restricted Codes

St = Status  
 EDIFACT: M=Mandatory, C=Conditional  
 User specific: R=Required, O=Optional, D=Dependent,  
 A=Advised, N=Not used, X=Not used

**Segment Details**

Segment number: 8

<b>SG1</b>	- M	1 - Order number reference
<b>RFF</b>	- M	1 - Order Number (Buyer)
Function: To specify a reference.		
EDIFACT		EAN
Tag	Name	St/Format
C506	REFERENCE	M
1153	Reference code qualifier	M an..3
1154	Reference identifier	C an..70
		St * Usage
		<b>M</b>
		<b>M</b>
		<b>M</b>
		ON = Order number (buyer)
		Format n..35
Segment Notes:		
The segment RFF + ON always contains the order number of EDEKA unchanged. If there is no EDEKA order number, the number "0" must be entered.		
Example: RFF+ON:4711'		

\* = Restricted Codes

St = Status

EDIFACT: M=Mandatory, C=Conditional

User specific: R=Required, O=Optional, D=Dependent,

A=Advised, N=Not used, X=Not used

**Segment Details**

Segment number: 9

<b>SG1</b>	- O	1 - Reference to the order number	
<b>RFF</b>	- M	1 - Order Number (Supplier)	
Function: To specify a reference.			
EDIFACT		EAN	
Tag	Name	St/Format	St * Usage
C506	REFERENCE	M	<b>M</b>
1153	Reference code qualifier	M an..3	<b>M</b> VN = Order number (supplier)
1154	Reference identifier	C an..70	<b>R</b>
Segment Notes: Example: RFF+VN:4712'			

\* = Restricted Codes

St = Status

EDIFACT: M=Mandatory, C=Conditional

User specific: R=Required, O=Optional, D=Dependent,

A=Advised, N=Not used, X=Not used

**Segment Details**

---

Segment number: 10

<b>SG1</b>	- R	1 - Reference to the delivery note number	
<b>RFF</b>	- M	1 - Delivery Receipt Number	
Function: To specify a reference.			
EDIFACT		EAN	
Tag	Name	St/Format	St * Usage
C506	REFERENCE	M	<b>M</b>
1153	Reference code qualifier	M an..3	<b>M</b> DQ = <b>Delivery note number</b>
1154	Reference identifier	C an..70	<b>R</b> Format an..10
Segment Notes: Example: RFF+DQ:4714'			

\* = Restricted Codes

St = Status  
 EDIFACT: M=Mandatory, C=Conditional  
 User specific: R=Required, O=Optional, D=Dependent,  
 A=Advised, N=Not used, X=Not used



**Segment Details**

Segment number: 11

<b>SG1</b>	- O	1 - Reference to the scheduling agreement number	
<b>RFF</b>	- M	1 - Delivery Schedule Number	
Function: To specify a reference.			
EDIFACT		EAN	
Tag	Name	St/Format	St * Usage
C506	REFERENCE	M	<b>M</b>
1153	Reference code qualifier	M an..3	<b>M</b> AAN = Delivery schedule number
1154	Reference identifier	C an..70	<b>R</b>
Segment Notes: Example: RFF+AAN:4715'			

\* = Restricted Codes

St = Status  
EDIFACT: M=Mandatory, C=Conditional  
User specific: R=Required, O=Optional, D=Dependent,  
A=Advised, N=Not used, X=Not used

**Segment Details**

Segment number: 12

<b>SG1</b>	- O	1 - Reference to the loading / transport identification number	
<b>RFF</b>	- M	1 - Loading / transport identification number	
Function: To specify a reference.			
EDIFACT		EAN	
Tag	Name	St/Format	St * Usage
C506	REFERENCE	M	<b>M</b>
1153	Reference code qualifier	M an..3	<b>M</b>
1154	Reference identifier	C an..70	<b>R</b>
Segment Notes: Example: RFF+AAQ:4716'			

\* = Restricted Codes

St = Status  
EDIFACT: M=Mandatory, C=Conditional  
User specific: R=Required, O=Optional, D=Dependent,  
A=Advised, N=Not used, X=Not used

**Segment Details**

Segment number: 13

<b>SG2</b>	- R	1 - Buyer	
<b>NAD</b>	- M	1 - Name and address of buyer	
Function: To specify the name/address and their related function, either by C082 only and/or unstructured by C058 or structured by C080 thru 3207			
EDIFACT		EAN	
Tag	Name	St/Format	St * Usage
3035	Party function code qualifier	M an..3	<b>M</b> BY = Buyer
C082	PARTY IDENTIFICATION DETAILS	C	<b>R</b>
3039	Party identifier	M an..35	<b>M</b> Format n..13
1131	Code list identification code	C an..17	<b>N</b>
3055	Code list responsible agency code	C an..3	<b>R</b> 9 = EAN (International Article Numbering association)
Segment Notes: Example: NAD+BY+4311560000000::9'			

\* = Restricted Codes

St = Status  
EDIFACT: M=Mandatory, C=Conditional  
User specific: R=Required, O=Optional, D=Dependent,  
A=Advised, N=Not used, X=Not used

**Segment Details**

Segment number: 14

<b>SG2</b>	- C	99 - invoice recipient			
<b>NAD</b>	- M	1 - Name and address of invoice recipient			
Function:					
To specify the name/address and their related function, either by C082 only and/or unstructured by C058 or structured by C080 thru 3207					
EDIFACT			EAN		
Tag	Name	St/Format	St	*	Usage
3035	Party function code qualifier	M an..3	<b>M</b>		IV = Invoicee
C082	PARTY IDENTIFICATION DETAILS	C	<b>C</b>		
3039	Party identifier	M an..35	<b>M</b>		
1131	Code list identification code	C an..17	<b>N</b>		
3055	Code list responsible agency code	C an..3	<b>C</b>		9 = EAN (International Article Numbering association)
Segment Notes:					
Example:					
NAD+IV+431156000000::9'					

\* = Restricted Codes

St = Status

EDIFACT: M=Mandatory, C=Conditional

User specific: R=Required, O=Optional, D=Dependent,

A=Advised, N=Not used, X=Not used

**Segment Details**

Segment number: 15

<b>SG2</b>	- C	99 - transfer point - partner			
<b>NAD</b>	- M	1 - Identification of the transfer point - partner with whom the goods are to be picked up or taken over (i.e. if they differ from the sender).			
Function:					
To specify the name/address and their related function, either by C082 only and/or unstructured by C058 or structured by C080 thru 3207					
EDIFACT			EAN		
Tag	Name	St/Format	St	*	Usage
3035	Party function code qualifier	M an..3	<b>M</b>		PW = <b>Despatch party</b>
C082	PARTY IDENTIFICATION DETAILS	C	<b>C</b>		
3039	Party identifier	M an..35	<b>M</b>		
1131	Code list identification code	C an..17	<b>N</b>		
3055	Code list responsible agency code	C an..3	<b>C</b>		9 = <b>EAN (International Article Numbering association)</b>
Segment Notes:					
Example: NAD+PW+4033988000003.:9'					

\* = Restricted Codes

St = Status

EDIFACT: M=Mandatory, C=Conditional

User specific: R=Required, O=Optional, D=Dependent,

A=Advised, N=Not used, X=Not used

**Segment Details**

Segment number: 16

<b>SG2</b>	- C	99 - consignee			
<b>NAD</b>	- M	1 - Consignee identification			
Function:					
To specify the name/address and their related function, either by C082 only and/or unstructured by C058 or structured by C080 thru 3207					
EDIFACT			EAN		
Tag	Name	St/Format	St	*	Usage
3035	Party function code qualifier	M an..3	<b>M</b>		DP = <b>Delivery party</b>
C082	PARTY IDENTIFICATION DETAILS	C	<b>C</b>		
3039	Party identifier	M an..35	<b>M</b>		
1131	Code list identification code	C an..17	<b>N</b>		
3055	Code list responsible agency code	C an..3	<b>C</b>		9 = <b>EAN (International Article Numbering association)</b>
C058	NAME AND ADDRESS	C	<b>N</b>		
3124	Name and address description	M an..35	<b>N</b>		
C080	PARTY NAME	C	<b>C</b>		
3036	Party name	M an..35	<b>M</b>		
3036	Party name	C an..35	<b>C</b>		
3036	Party name	C an..35	<b>C</b>		
3036	Party name	C an..35	<b>C</b>		
C059	STREET	C	<b>C</b>		
3042	Street and number or post office box identifier	M an..35	<b>M</b>		
3042	Street and number or post office box identifier	C an..35	<b>C</b>		
3042	Street and number or post office box identifier	C an..35	<b>C</b>		
3164	City name	C an..35	<b>C</b>		
C819	COUNTRY SUB-ENTITY DETAILS	C	<b>N</b>		
3229	Country sub-entity name code	C an..9	<b>N</b>		
3251	Postal identification code	C an..17	<b>C</b>		
3207	Country name code	C an..3	<b>C</b>		AT = <b>ÖSTERREICH</b> CH = <b>SCHWEIZ</b> CZ = <b>TSCHECHISCHE REPUBLIK</b> DE = <b>DEUTSCHLAND, BUNDESREPUBLIK</b> DK = <b>DÄNEMARK</b> FR = <b>FRANKREICH</b> NL = <b>NIEDERLANDE</b> PL = <b>POLEN</b>

\* = Restricted Codes

St = Status

EDIFACT: M=Mandatory, C=Conditional

User specific: R=Required, O=Optional, D=Dependent,

A=Advised, N=Not used, X=Not used

**Segment Details**

---

Segment number: 16

Segment Notes:

Example:

NAD+DP+4314319998306::9++Name 1:Name 2:Name 3:Name 4+Strasse 1:Strasse 2:Strasse 3+Ort++12345+DE'

NAD+DP+4314319998306::9++Name 1:Name 2:Name 3:Name 4+Street 1:Street 2:Street 3+City++12345+DE'

\* = Restricted Codes

St = Status

EDIFACT: M=Mandatory, C=Conditional

User specific: R=Required, O=Optional, D=Dependent,

A=Advised, N=Not used, X=Not used

**Segment Details**

Segment number: 17

<b>SG2</b>	- C	99 - ultimate consignee			
<b>NAD</b>	- M	1 - Informations about the ultimate consignee			
Function:					
To specify the name/address and their related function, either by C082 only and/or unstructured by C058 or structured by C080 thru 3207					
EDIFACT			EAN		
Tag	Name	St/Format	St	*	Usage
3035	Party function code qualifier	M an..3	<b>M</b>		UC = <b>Ultimate consignee</b>
C082	PARTY IDENTIFICATION DETAILS	C	<b>C</b>		
3039	Party identifier	M an..35	<b>M</b>		
1131	Code list identification code	C an..17	<b>N</b>		
3055	Code list responsible agency code	C an..3	<b>C</b>		9 = <b>EAN (International Article Numbering association)</b>
C058	NAME AND ADDRESS	C	<b>N</b>		
3124	Name and address description	M an..35	<b>N</b>		
C080	PARTY NAME	C	<b>C</b>		
3036	Party name	M an..35	<b>M</b>		
3036	Party name	C an..35	<b>C</b>		
3036	Party name	C an..35	<b>C</b>		
3036	Party name	C an..35	<b>C</b>		
C059	STREET	C	<b>C</b>		
3042	Street and number or post office box identifier	M an..35	<b>M</b>		
3042	Street and number or post office box identifier	C an..35	<b>C</b>		
3042	Street and number or post office box identifier	C an..35	<b>C</b>		
3164	City name	C an..35	<b>C</b>		
C819	COUNTRY SUB-ENTITY DETAILS	C	<b>N</b>		
3229	Country sub-entity name code	C an..9	<b>N</b>		
3251	Postal identification code	C an..17	<b>C</b>		
3207	Country name code	C an..3	<b>C</b>		AT = <b>ÖSTERREICH</b> CH = <b>SCHWEIZ</b> CZ = <b>TSCHECHISCHE REPUBLIK</b> DE = <b>DEUTSCHLAND, BUNDESREPUBLIK</b> DK = <b>DÄNEMARK</b> FR = <b>FRANKREICH</b> NL = <b>NIEDERLANDE</b> PL = <b>POLEN</b>

\* = Restricted Codes

St = Status

EDIFACT: M=Mandatory, C=Conditional

User specific: R=Required, O=Optional, D=Dependent,

A=Advised, N=Not used, X=Not used



**Segment Details**

---

Segment number: 17

Segment Notes:

Example:

NAD+UC+4314318578080::9++Name 1:Name 2:Name 3:Name 4+Strasse 1:Strasse 2:Strasse 3+Ort++12345+DE'

NAD+UC+4314319998306::9++Name 1:Name 2:Name 3:Name 4+Street 1:Street 2:Street 3+City++12345+DE'

\* = Restricted Codes

St = Status

EDIFACT: M=Mandatory, C=Conditional

User specific: R=Required, O=Optional, D=Dependent,

A=Advised, N=Not used, X=Not used

**Segment Details**

Segment number: 18

<b>SG2</b>	- C	99 - Supplier			
<b>NAD</b>	- M	1 - Supplier identification			
Function: To specify the name/address and their related function, either by C082 only and/or unstructured by C058 or structured by C080 thru 3207					
EDIFACT			EAN		
Tag	Name	St/Format	St	*	Usage
3035	Party function code qualifier	M an..3	<b>M</b>		SU = <b>Supplier</b>
C082	PARTY IDENTIFICATION DETAILS	C	<b>C</b>		
3039	Party identifier	M an..35	<b>M</b>		
1131	Code list identification code	C an..17	<b>N</b>		
3055	Code list responsible agency code	C an..3	<b>C</b>		9 = <b>EAN (International Article Numbering association)</b>
Segment Notes: Example: NAD+SU+4398465213564::9'					

\* = Restricted Codes

St = Status  
EDIFACT: M=Mandatory, C=Conditional  
User specific: R=Required, O=Optional, D=Dependent,  
A=Advised, N=Not used, X=Not used

**Segment Details**

Segment number: 19

<b>SG2</b>	- C	99 - carrier			
<b>NAD</b>	- M	1 - Identification of the carrier			
Function:					
To specify the name/address and their related function, either by C082 only and/or unstructured by C058 or structured by C080 thru 3207					
EDIFACT			EAN		
Tag	Name	St/Format	St	*	Usage
3035	Party function code qualifier	M an..3	<b>M</b>		FW = <b>Freight forwarder</b>
C082	PARTY IDENTIFICATION DETAILS	C	<b>C</b>		
3039	Party identifier	M an..35	<b>M</b>		
1131	Code list identification code	C an..17	<b>N</b>		
3055	Code list responsible agency code	C an..3	<b>C</b>		9 = <b>EAN (International Article Numbering association)</b>
Segment Notes:					
Example:					
NAD+FW+4033988000003::9'					

\* = Restricted Codes

St = Status  
EDIFACT: M=Mandatory, C=Conditional  
User specific: R=Required, O=Optional, D=Dependent,  
A=Advised, N=Not used, X=Not used

**Segment Details**

Segment number: 20

<b>SG8</b>	- C	10 - EQD-MEA-SEL	
<b>EQD</b>	- M	1 - Unit of equipment	
Function: To identify a unit of equipment			
EDIFACT		EAN	
Tag	Name	St/Format	St * Usage
8053	Equipment type code qualifier	M an..3	<b>M</b> UL = <b>ULD (Unit load device)</b>
Segment Notes: Example: EQD+UL'			

\* = Restricted Codes

St = Status

EDIFACT: M=Mandatory, C=Conditional

User specific: R=Required, O=Optional, D=Dependent,

A=Advised, N=Not used, X=Not used

**Segment Details**

Segment number: 21

<b>SG8</b>	- C	10 - EQD-MEA-SEL			
<b>MEA</b>	- C	5 - Measurements			
Function:					
To specify physical measurements, including dimension tolerances, weights and counts					
EDIFACT			EAN		
Tag	Name	St/Format	St	*	Usage
6311	Measurement purpose code qualifier	M an..3	<b>M</b>		PD = <b>Physical dimensions (product ordered)</b>
C502	MEASUREMENT DETAILS	C	<b>C</b>		
6313	Measured attribute code	C an..3	<b>C</b>		AAW = <b>Gross volume</b>
C174	VALUE/RANGE	C	<b>C</b>		
6411	Measurement unit code	M an..3	<b>M</b>		KGM = <b>kilogram</b> TNE = <b>tonne (metric ton)</b> LTR = <b>litre</b> MTQ = <b>cubic metre</b>
6314	Measurement value	C an..18	<b>C</b>		
Segment Notes:					
Example:					
MEA+PD+AAW+LTR:100'					

\* = Restricted Codes

St = Status

EDIFACT: M=Mandatory, C=Conditional

User specific: R=Required, O=Optional, D=Dependent,

A=Advised, N=Not used, X=Not used

**Segment Details**

Segment number: 22

<b>SG8</b>	- C	10 - EQD-MEA-SEL
<b>SEL</b>	- C	25 - Seal number
Function: To specify the seal number or a range of seal numbers		
EDIFACT		EAN
Tag	Name	St/Format
9308	Seal identifier	C an..35
C215	SEAL ISSUER	C
9303	Sealing party name code	C an..3
		CU = <b>Customs</b> SH = <b>Shipper</b>
Segment Notes: Example: SEL+SEAL+SH'		

\* = Restricted Codes

St = Status  
EDIFACT: M=Mandatory, C=Conditional  
User specific: R=Required, O=Optional, D=Dependent,  
A=Advised, N=Not used, X=Not used

**Segment Details**

Segment number: 23

<b>SG10</b>	- C	9999 - CPS-SG11			
<b>CPS</b>	- M	1 - Consignment packing sequence			
Function:					
To identify the sequence in which physical packing is presented in the consignment, and optionally to identify the hierarchical relationship between packing layers.					
EDIFACT		EAN			
Tag	Name	St/Format	St	*	Usage
7164	Hierarchical structure level identifier	M an..35	<b>M</b>		
Segment Notes:					
The position part of the message begins with the CPS segment. The segments after the first CPS segment (CPS + 1) and before the subsequent CPS segment (CPS + 2 + 1) can contain physical information about the entire shipment.					
This segment is used to indicate the order of the packages in a shipment, i.e. For each package, a new item part of the message begins with the CPS segment, DE 7164 is increased by one.					
If no package hierarchy is to be described, the message is continued with SG15 (once the requirements of the first SG10 have been met).					
Example: CPS+1'					

\* = Restricted Codes

St = Status

EDIFACT: M=Mandatory, C=Conditional

User specific: R=Required, O=Optional, D=Dependent,

A=Advised, N=Not used, X=Not used

**Segment Details**

Segment number: 24

<b>SG10</b>	- C	9999 - CPS-SG11			
<b>SG11</b>	- C	9999 - PAC-MEA-SG13			
<b>PAC</b>	- M	1 - Number of packages (shipping units)			
Function:					
To describe the number and type of packages/physical units.					
EDIFACT			EAN		
Tag	Name	St/Format	St	*	Usage
7224	Package quantity	C n..8	<b>M</b>		
C531	PACKAGING DETAILS	C	<b>N</b>		
7075	Packaging level code	C an..3	<b>N</b>		
C202	PACKAGE TYPE	C	<b>M</b>		
7065	Package type description code	C an..17	<b>M</b>		200 = Pallet ISO 0 - 1/2 EURO Pallet (EAN Code) 201 = Pallet ISO 1 - 1/1 EURO Pallet (EAN Code) 202 = Pallet ISO 2 (EAN Code) 203 = 1/4 EURO Pallet (EAN Code) 205 = Synthetic pallet ISO 1 (EAN Code) 210 = Wholesaler pallet (EAN Code) 211 = Pallet 80 X 100 cm (EAN Code) 8 = Palette without calculation 80x120x14,4cm BX = MKB-Box 80x120x100cm CS = Case CT = Carton C2 = Roll container 80x65x105cm C4 = Intermediate bottom f. Rolli bl.. 81x71x2,5cm CHA = Beerpalette 120x100x16cm CGBC = EC Container L8100xB608xH1250mm CGK1 = Flower carton bucket 60x40x48 CWPA = Palette CD Winkels 120x80x14,4cm CWRB = Roll container CD Winkels 72x81, 5x155cm DD = H1 PVC-Palette 120x80x16 DG = Häde deposit basket 60x40x30cm DH = Europool Big Box 80x60x29,2cm EW = Transport carton of cigarettes 59, 5x39,5x30 KT4 = van Wylick Box 60x40x30cm KT0 = Intermediate bottom f. Rolli bl.. 81x71x2,5cm OA = 1/4 Chep Palette 60x40x15cm OB = Chep-Palette 120x80x14,4cm P4 = Intermediate bottom f. Rolli bl.. 81x71x2,5cm PC = SZ Paketbox PCE = Europalette 80x120x14,4cm PK = 1/4 Chep Palette 60x40x15cm

\* = Restricted Codes

St = Status

EDIFACT: M=Mandatory, C=Conditional

User specific: R=Required, O=Optional, D=Dependent,

A=Advised, N=Not used, X=Not used



**Segment Details**

Segment number: 24

EDIFACT			EAN		
Tag	Name	St/Format	St	*	Usage
					RB1 = Flower container 81x67x135cm ST = Chep-Palette 120x80x14,4cm TRE = Euro transport car 81x60x126cm UP = Thermohauser Thermobox 62, 5x42,5cm VE = Fountain range 110x107cm X9 = Fountain range 110x107cm X10 = E2 Tub blue 2kg 60x40x20cm Y001 = EDEKA Euro-Palette Y2 = E2-Meat crate red 60x40x20 Z01 = Düsseldorf Palette 60x80cm Z002 = Roll container 80x65x105cm Z14 = Düsseldorf Palette 60x80cm Z21 = SZ Box Z20 = E2-Meat crate red 60x40x20
1131	Code list identification code	C an..17	<b>N</b>		
3055	Code list responsible agency code	C an..3	<b>M</b>		9 = EAN (International Article Numbering association)
Segment Notes: Example: PAC+1++201::9'					

\* = Restricted Codes

St = Status

EDIFACT: M=Mandatory, C=Conditional

User specific: R=Required, O=Optional, D=Dependent,

A=Advised, N=Not used, X=Not used

**Segment Details**

Segment number: 25

<b>SG10</b>	- C	9999 - CPS-SG11	
<b>SG11</b>	- C	9999 - PAC-MEA-SG13	
<b>MEA</b>	- C	10 - Measurements	
Function:			
To specify physical measurements, including dimension tolerances, weights and counts			
EDIFACT		EAN	
Tag	Name	St/Format	St * Usage
6311	Measurement purpose code qualifier	M an..3	<b>M</b> PD = Physical dimensions (product ordered)
C502	MEASUREMENT DETAILS	C	<b>C</b>
6313	Measured attribute code	C an..3	<b>C</b> AAD = Total gross weight AAW = Gross volume AAB = Unit gross weight AAA = Unit net weight
C174	VALUE/RANGE	C	<b>C</b>
6411	Measurement unit code	M an..3	<b>M</b> KGM = kilogram TNE = tonne (metric ton) LTR = litre MTQ = cubic metre
6314	Measurement value	C an..18	<b>C</b>
Segment Notes:			
Examples:			
MEA+PD+AAA+KGM:10'			
MEA+PD+AAD+KGM:10'			
MEA+PD+AAB+KGM:11'			
MEA+PD+AAW+LTR:1.5'			

\* = Restricted Codes

St = Status

EDIFACT: M=Mandatory, C=Conditional

User specific: R=Required, O=Optional, D=Dependent,

A=Advised, N=Not used, X=Not used

**Segment Details**

Segment number: 26

<b>SG10</b>	- C	9999	- CPS-SG11
<b>SG11</b>	- C	9999	- PAC-MEA-SG13
<b>SG13</b>	- C	1000	- PCI-SG15
<b>PCI</b>	- M	1	- Packstückkennzeichnung mit NVE (Sendung) Package marking with SSCC (consignment)
Function: To specify markings and labels on individual packages or physical units.			
EDIFACT			EAN
Tag	Name	St/Format	St * Usage
4233	Marking instructions code	C an..3	<b>M</b> 33E = <b>Marked with serial shipping container code (EAN Code)</b>
Segment Notes: Example: PCI+33E'			

\* = Restricted Codes

St = Status

EDIFACT: M=Mandatory, C=Conditional

User specific: R=Required, O=Optional, D=Dependent,

A=Advised, N=Not used, X=Not used

**Segment Details**

Segment number: 27

**SG10** - C 9999 - CPS-SG11  
**SG11** - C 9999 - PAC-MEA-SG13  
**SG13** - C 1000 - PCI-SG15  
**SG15** - C 99 - GIN  
**GIN** - M 1 - Shipping unit number (SSCC)

Function:

To specify markings and labels on individual packages or physical units.

EDIFACT			EAN		
Tag	Name	St/Format	St	*	Usage
7405	Object identification code qualifier	M an..3	<b>M</b>		BJ = <b>Serial shipping container code</b>
C208	IDENTITY NUMBER RANGE	M	<b>M</b>		
7402	Object identifier	M an..35	<b>M</b>		
7402	Object identifier	C an..35	<b>C</b>		

Segment Notes:

This segment is used to indicate the number (s) of the shipping unit (s) [NVE] for the unique identification of individual transport items. if a shipment consists of only one pallet, the NVE of the pallet must be specified here.

Example:

GIN+BJ+345678901234567895:345678901234567901'

\* = Restricted Codes

St = Status

EDIFACT: M=Mandatory, C=Conditional

User specific: R=Required, O=Optional, D=Dependent,

A=Advised, N=Not used, X=Not used

**Segment Details**

Segment number: 28

<b>SG10</b>	- C	9999 - CPS-SG11			
<b>SG11</b>	- C	9999 - PAC-MEA-SG13			
<b>SG13</b>	- C	1000 - PCI			
<b>PCI</b>	- M	1 - Package identification with package number (shipment)			
Function:					
To specify markings and labels on individual packages or physical units.					
EDIFACT			EAN		
Tag	Name	St/Format	St	*	Usage
4233	Marking instructions code	C an..3	<b>M</b>		IEN = Package Identity Number (EAN Code)
C210	MARKS & LABELS	C	<b>C</b>		
7102	Shipping marks description	M an..35	<b>M</b>		
Segment Notes:					
Example:					
PCI+IEN+123456789012345678'					

\* = Restricted Codes

St = Status

EDIFACT: M=Mandatory, C=Conditional

User specific: R=Required, O=Optional, D=Dependent,

A=Advised, N=Not used, X=Not used

**Segment Details**

Segment number: 29

<b>SG10</b>	- C	9999 - CPS-SG11	
<b>CPS</b>	- M	1 - Consignment packing sequence	
Function:			
To identify the sequence in which physical packing is presented in the consignment, and optionally to identify the hierarchical relationship between packing layers.			
EDIFACT		EAN	
Tag	Name	St/Format	St * Usage
7164	Hierarchical structure level identifier	M an..35	<b>M</b>
7166	Hierarchical structure parent identifier	C an..35	<b>C</b>
Segment Notes:			
This segment is used to specify the order of the packages in a shipment, i.e. For each package, a new item begins with the CPS segment, DE 7164 is increased by one.			
Example:			
CPS+2+1'			

\* = Restricted Codes

St = Status

EDIFACT: M=Mandatory, C=Conditional

User specific: R=Required, O=Optional, D=Dependent,

A=Advised, N=Not used, X=Not used

**Segment Details**

Segment number: 30

<b>SG10</b>	- C	9999 - CPS-SG11			
<b>SG11</b>	- C	9999 - PAC-MEA-SG13			
<b>PAC</b>	- M	1 - Number of packages (shipment)			
Function:					
To describe the number and type of packages/physical units.					
EDIFACT			EAN		
Tag	Name	St/Format	St	*	Usage
7224	Package quantity	C n..8	<b>M</b>		
C531	PACKAGING DETAILS	C	<b>N</b>		
7075	Packaging level code	C an..3	<b>N</b>		
C202	PACKAGE TYPE	C	<b>M</b>		
7065	Package type description code	C an..17	<b>C</b>		200 = Pallet ISO 0 - 1/2 EURO Pallet (EAN Code) 201 = Pallet ISO 1 - 1/1 EURO Pallet (EAN Code) 202 = Pallet ISO 2 (EAN Code) 203 = 1/4 EURO Pallet (EAN Code) 205 = Synthetic pallet ISO 1 (EAN Code) 210 = Wholesaler pallet (EAN Code) 211 = Pallet 80 X 100 cm (EAN Code) 8 = Palette without calculation 80x120x14,4cm BX = MKB-Box 80x120x100cm C2 = Roll container 80x65x105cm C4 = Intermediate bottom f. Rolli bl.. 81x71x2,5cm CHA = Beerpalette 120x100x16cm CS = Case CT = Carton CGBC = EC Container L8100xB608xH1250mm CGK1 = Flower carton bucket 60x40x48 CWPA = Palette CD Winkels 120x80x14,4cm CWRB = Roll container CD Winkels 72x81, 5x155cm DD = H1 PVC-Palette 120x80x16 DG = Hede deposit basket 60x40x30cm DH = Europool Big Box 80x60x29,2cm EW = Transport carton of cigarettes 59, 5x39,5x30 KT0 = Intermediate bottom f. Rolli bl.. 81x71x2,5cm KT4 = van Wylick Box 60x40x30cm OA = 1/4 Chep Palette 60x40x15cm OB = Chep-Palette 120x80x14,4cm P4 = Intermediate bottom f. Rolli bl.. 81x71x2,5cm PC = SZ Paketbox PCE = Europalette 80x120x14,4cm PK = 1/4 Chep Palette 60x40x15cm

\* = Restricted Codes

St = Status

EDIFACT: M=Mandatory, C=Conditional

User specific: R=Required, O=Optional, D=Dependent,

A=Advised, N=Not used, X=Not used

**Segment Details**

Segment number: 30

EDIFACT			EAN		
Tag	Name	St/Format	St	*	Usage
					ST = <b>Chep-Palette 120x80x14,4cm</b> TRE = <b>Euro transport car 81x60x126cm</b> RB1 = <b>Flower container 81x67x135cm</b> UP = <b>Thermohäuser Thermobox 62, 5x42,5cm</b> VE = <b>Fountain range 110x107cm</b> X9 = <b>Fountain range 110x107cm</b> X10 = <b>E2 Tub blue 2kg 60x40x20cm</b> Y001 = <b>EDEKA Euro-Palette</b> Y2 = <b>E2-Meat crate red 60x40x20</b> Z01 = <b>Düsseldorfer Palette 60x80cm</b> Z002 = <b>Roll container 80x65x105cm</b> Z14 = <b>Düsseldorfer Palette 60x80cm</b> Z20 = <b>E2-Meat crate red 60x40x20</b> Z21 = <b>SZ Box</b>
1131	Code list identification code	C an..17	<b>N</b>		
3055	Code list responsible agency code	C an..3	<b>M</b>		9 = <b>EAN (International Article Numbering association)</b>
Segment Notes: Example: PAC+1++201::9'					

\* = Restricted Codes

St = Status

EDIFACT: M=Mandatory, C=Conditional

User specific: R=Required, O=Optional, D=Dependent,

A=Advised, N=Not used, X=Not used



**Segment Details**

Segment number: 31

<b>SG10</b>	- C	9999 - CPS-SG11	
<b>SG11</b>	- C	9999 - PAC-MEA-SG13	
<b>MEA</b>	- C	10 - Measurements	
Function:			
To specify physical measurements, including dimension tolerances, weights and counts			
EDIFACT		EAN	
Tag	Name	St/Format	St * Usage
6311	Measurement purpose code qualifier	M an..3	<b>M</b> PD = Physical dimensions (product ordered)
C502	MEASUREMENT DETAILS	C	<b>C</b>
6313	Measured attribute code	C an..3	<b>C</b> AAA = Unit net weight AAB = Unit gross weight AAW = Gross volume HT = Height dimension
C174	VALUE/RANGE	C	<b>C</b>
6411	Measurement unit code	M an..3	<b>M</b> PCE = Piece (EAN Code) KGM = kilogram TNE = tonne (metric ton) LTR = litre MTQ = cubic metre MMT = millimetre MTR = metre
6314	Measurement value	C an..18	<b>C</b>
Segment Notes:			
Example:			
MEA+PD+AAA+KGM:20'			
MEA+PD+AAB+KGM:22'			
MEA+PD+AAW+MTQ:0.5'			
MEA+PD+HT+MMT:150'			

\* = Restricted Codes

St = Status

EDIFACT: M=Mandatory, C=Conditional

User specific: R=Required, O=Optional, D=Dependent,

A=Advised, N=Not used, X=Not used

**Segment Details**

Segment number: 32

<b>SG10</b>	- C	9999 - CPS-SG11
<b>SG11</b>	- C	9999 - PAC-MEA-SG13
<b>SG13</b>	- C	1000 - PCI
<b>PCI</b>	- M	1 - Package identification with package number (shipment)
Function: To specify markings and labels on individual packages or physical units.		
EDIFACT		EAN
Tag	Name	St/Format
4233	Marking instructions code	C an..3
		<b>M</b>
		33E = <b>Marked with serial shipping container code (EAN Code)</b>
Segment Notes: Example: PCI+33E'		

\* = Restricted Codes

St = Status  
 EDIFACT: M=Mandatory, C=Conditional  
 User specific: R=Required, O=Optional, D=Dependent,  
 A=Advised, N=Not used, X=Not used

**Segment Details**

Segment number: 33

<b>SG10</b>	- C	9999 - CPS-SG11			
<b>SG11</b>	- C	9999 - PAC-MEA-SG13			
<b>SG13</b>	- D	1000 - PCI-SG15			
<b>PCI</b>	- M	1 - Identification with the pallet number (shipment)			
Function:					
Identification and labels of the pallet. In connection with the GIN+SRV segment. Valid for fruit and vegetable suppliers.					
EDIFACT			EAN		
Tag	Name	St/Format	St	*	Usage
4233	Marking instructions code	C an..3	<b>M</b>		17 = <b>Supplier's instructions</b>
Segment Notes:					
Example: PCI+17'					

\* = Restricted Codes

St = Status

EDIFACT: M=Mandatory, C=Conditional

User specific: R=Required, O=Optional, D=Dependent,

A=Advised, N=Not used, X=Not used

**Segment Details**

Segment number: 34

<b>SG10</b>	- C	9999 - CPS-SG11
<b>SG11</b>	- C	9999 - PAC-MEA-SG13
<b>SG13</b>	- D	1000 - PCI-SG15
<b>SG15</b>	- C	99 - GIN
<b>GIN</b>	- M	1 - Shipping unit number (SSCC)

Function:

To specify markings and labels on individual packages or physical units.

EDIFACT			EAN		
Tag	Name	St/Format	St	*	Usage
7405	Object identification code qualifier	M an..3	<b>M</b>		BJ = <b>Serial shipping container code</b> BN = <b>Serial number</b> BX = <b>Batch number</b> DB = <b>GRAI Globale MTV-Identnummer</b>
C208	IDENTITY NUMBER RANGE	M	<b>M</b>		
7402	Object identifier	M an..35	<b>M</b>		

Segment Notes:

This segment is used to indicate the number (s) of the shipping unit (s) [NVE] for the unique identification of individual transport items. if a shipment consists of only one pallet, the NVE of the pallet must be specified here.

Examples:

GIN+BJ+345678901234567918'

GIN+DB+98765432123456789'

GIN+BN+47110815'

GIN+BX+202006221234'

\* = Restricted Codes

St = Status

EDIFACT: M=Mandatory, C=Conditional

User specific: R=Required, O=Optional, D=Dependent,

A=Advised, N=Not used, X=Not used

**Segment Details**

Segment number: 35

<b>SG10</b>	- C	9999 - CPS-SG11
<b>SG11</b>	- C	9999 - PAC-MEA-SG13
<b>SG13</b>	- D	1000 - PCI-SG15
<b>SG15</b>	- D	99 - GIN
<b>GIN</b>	- M	1 - Pallet number

Function:  
Identification and labels of the pallet. In connection with the PCI+17 segment.

EDIFACT			EAN		
Tag	Name	St/Format	St	*	Usage
7405	Object identification code qualifier	M an..3	<b>M</b>		SRV = <b>EAN.UCC Global Trade Item Number (EAN Code)</b>
C208	IDENTITY NUMBER RANGE	M	<b>M</b>		
7402	Object identifier	M an..35	<b>M</b>		

Segment Notes:  
This segment is used to indicate the number (s) of the shipping unit (s) [NVE] for the unique identification of individual transport items. if a shipment consists of only one pallet, the NVE of the pallet must be specified here. Valid for fruit and vegetable suppliers.

Example:  
GIN+SRV+48120916'

\* = Restricted Codes

St = Status  
EDIFACT: M=Mandatory, C=Conditional  
User specific: R=Required, O=Optional, D=Dependent,  
A=Advised, N=Not used, X=Not used

**Segment Details**

Segment number: 36

<b>SG10</b>	- C	9999 - CPS-SG11-SG17	
<b>CPS</b>	- M	1 - Consignment packing sequence	
Function:			
To identify the sequence in which physical packing is presented in the consignment, and optionally to identify the hierarchical relationship between packing layers.			
EDIFACT		EAN	
Tag	Name	St/Format	St * Usage
7164	Hierarchical structure level identifier	M an..35	<b>M</b>
7166	Hierarchical structure parent identifier	C an..35	<b>C</b>
Segment Notes:			
This segment is used to indicate the order of the packages of a shipment, i.e. For each package, a new item begins with the CPS segment, DE 7164 is increased by one.			
For example, if a pallet was described in the previous CPS segment (CPS + 2 + 1), the individual layers can be displayed here in the case of a sandwich pallet. In the case of a sandwich pallet, the bottom pallet would be the first layer (CPS + 2 + 1), the second layer is CPS + 3 + 2, the third CPS + 4 + 2, etc.			
If articles are to be described, group SG15 follows immediately after group SG10.			
Example: CPS+3+2'			

\* = Restricted Codes

St = Status

EDIFACT: M=Mandatory, C=Conditional

User specific: R=Required, O=Optional, D=Dependent,

A=Advised, N=Not used, X=Not used

**Segment Details**

Segment number: 37

<b>SG10</b>	- C	9999 - CPS-SG11-SG17			
<b>SG11</b>	- C	9999 - PAC-MEA-SG13			
<b>PAC</b>	- M	1 - Number of packages (shipment)			
Function:					
To describe the number and type of packages/physical units.					
EDIFACT			EAN		
Tag	Name	St/Format	St	*	Usage
7224	Package quantity	C n..8	<b>M</b>		
C531	PACKAGING DETAILS	C	<b>N</b>		
7075	Packaging level code	C an..3	<b>N</b>		
C202	PACKAGE TYPE	C	<b>C</b>		
7065	Package type description code	C an..17	<b>M</b>		200 = Pallet ISO 0 - 1/2 EURO Pallet (EAN Code) 201 = Pallet ISO 1 - 1/1 EURO Pallet (EAN Code) 202 = Pallet ISO 2 (EAN Code) 203 = 1/4 EURO Pallet (EAN Code) 205 = Synthetic pallet ISO 1 (EAN Code) 210 = Wholesaler pallet (EAN Code) 211 = Pallet 80 X 100 cm (EAN Code) 8 = Palette without calculation 80x120x14,4cm BX = MKB-Box 80x120x100cm C2 = Roll container 80x65x105cm C4 = Intermediate bottom f. Rolli bl.. 81x71x2,5cm CHA = Beerpalette 120x100x16cm CGBC = EC Container L8100xB608xH1250mm CGK1 = Flower carton bucket 60x40x48 CT = Carton CS = Case CWPA = Palette CD Winkels 120x80x14,4cm CWRB = Roll container CD Winkels 72x81, 5x155cm DD = H1 PVC-Palette 120x80x16 DG = Häde deposit basket 60x40x30cm DH = Europool Big Box 80x60x29,2cm EW = Transport carton of cigarettes 59, 5x39,5x30 KT0 = Intermediate bottom f. Rolli bl.. 81x71x2,5cm KT4 = van Wylick Box 60x40x30cm OA = 1/4 Chep Palette 60x40x15cm OB = Chep-Palette 120x80x14,4cm P4 = Intermediate bottom f. Rolli bl.. 81x71x2,5cm PC = SZ Paketbox PCE = Europalette 80x120x14,4cm PK = 1/4 Chep Palette 60x40x15cm

\* = Restricted Codes

St = Status

EDIFACT: M=Mandatory, C=Conditional

User specific: R=Required, O=Optional, D=Dependent,

A=Advised, N=Not used, X=Not used

**Segment Details**

Segment number: 37

EDIFACT			EAN		
Tag	Name	St/Format	St	*	Usage
					RB1 = Flower container 81x67x135cm ST = Chep-Palette 120x80x14,4cm TRE = Euro transport car 81x60x126cm UP = Thermohäuser Thermobox 62, 5x42,5cm VE = Fountain range 110x107cm X9 = Fountain range 110x107cm X10 = E2 Tub blue 2kg 60x40x20cm Y001 = EDEKA Euro-Palette Y2 = E2-Meat crate red 60x40x20 Z01 = Düsseldorfer Palette 60x80cm Z002 = Roll container 80x65x105cm Z14 = Düsseldorfer Palette 60x80cm Z20 = E2-Meat crate red 60x40x20 Z21 = SZ Box
1131	Code list identification code	C an..17	<b>N</b>		
3055	Code list responsible agency code	C an..3	<b>M</b>		9 = EAN (International Article Numbering association)
Segment Notes: Example: PAC+1++201::9'					

\* = Restricted Codes

St = Status

EDIFACT: M=Mandatory, C=Conditional

User specific: R=Required, O=Optional, D=Dependent,

A=Advised, N=Not used, X=Not used



**Segment Details**

Segment number: 38

<b>SG10</b>	- C	9999 - CPS-SG11-SG17	
<b>SG11</b>	- C	9999 - PAC-MEA-SG13	
<b>MEA</b>	- C	10 - Measurements	
Function:			
To specify physical measurements, including dimension tolerances, weights and counts			
EDIFACT		EAN	
Tag	Name	St/Format	St * Usage
6311	Measurement purpose code qualifier	M an..3	<b>M</b> PD = Physical dimensions (product ordered)
C502	MEASUREMENT DETAILS	C	<b>C</b>
6313	Measured attribute code	C an..3	<b>C</b> AAA = Unit net weight AAB = Unit gross weight AAW = Gross volume HT = Height dimension AAL = Net weight AAD = Total gross weight
C174	VALUE/RANGE	C	<b>C</b>
6411	Measurement unit code	M an..3	<b>M</b> KGM = kilogram TNE = tonne (metric ton) LTR = litre MTQ = cubic metre MMT = millimetre MTR = metre PCE = Piece (EAN Code)
6314	Measurement value	C an..18	<b>C</b>
Segment Notes:			
Example:			
MEA+PD+AAA+KGM:5'			
MEA+PD+AAB+KGM:5.5'			
MEA+PD+AAW+MTQ:0.5'			
MEA+PD+HT+MMT:1050'			

\* = Restricted Codes

St = Status

EDIFACT: M=Mandatory, C=Conditional

User specific: R=Required, O=Optional, D=Dependent,

A=Advised, N=Not used, X=Not used

**Segment Details**

Segment number: 39

<b>SG10</b>	- C	9999	- CPS-SG11-SG17	
<b>SG11</b>	- C	9999	- PAC-MEA-SG13	
<b>SG13</b>	- D	1000	- PCI-SG15	
<b>PCI</b>	- M	1	- Package identification with package number (shipment)	
Function:				
To specify markings and labels on individual packages or physical units.				
EDIFACT			EAN	
Tag	Name	St/Format	St	* Usage
4233	Marking instructions code	C an..3	<b>M</b>	17 = <b>Supplier's instructions</b> 33E = <b>Marked with serial shipping container code (EAN Code)</b>
Segment Notes:				
Examples:				
PCI+17'				
PCI+33E'				

\* = Restricted Codes

St = Status

EDIFACT: M=Mandatory, C=Conditional

User specific: R=Required, O=Optional, D=Dependent,

A=Advised, N=Not used, X=Not used

**Segment Details**

Segment number: 40

<b>SG10</b>	- C	9999 - CPS-SG11-SG17
<b>SG11</b>	- C	9999 - PAC-MEA-SG13
<b>SG13</b>	- D	1000 - PCI-SG15
<b>SG15</b>	- D	99 - GIN
<b>GIN</b>	- M	1 - Shipping unit number (SSCC)

Function:  
To specify markings and labels on individual packages or physical units.

EDIFACT			EAN		
Tag	Name	St/Format	St	*	Usage
7405	Object identification code qualifier	M an..3	<b>M</b>		BJ = <b>Serial shipping container code</b> BN = <b>Serial number</b> BX = <b>Batch number</b> DB = <b>GRAI Globale MTV-Identnummer, with serial number</b> SRV = <b>EAN.UCC Global Trade Item Number (EAN Code)</b>
C208	IDENTITY NUMBER RANGE	M	<b>M</b>		
7402	Object identifier	M an..35	<b>M</b>		

Segment Notes:  
This segment is used to indicate the number (s) of the shipping unit (s) [NVE] for the unique identification of individual transport items. if a shipment consists of only one pallet, the NVE of the pallet must be specified here.

Examples:  
GIN+BJ+987654321987654321'  
GIN+DB+98765432123456789'  
GIN+BN+47110815'  
GIN+BX+202006221234'  
GIN+SRV+48120916'

\* = Restricted Codes

St = Status

EDIFACT: M=Mandatory, C=Conditional

User specific: R=Required, O=Optional, D=Dependent,

A=Advised, N=Not used, X=Not used

**Segment Details**

Segment number: 41

<b>SG10</b>	- C	9999 - CPS-SG11-SG17			
<b>SG17</b>	- C	9999 - LIN-PIA-IMD-MEA-QTY-SG18-SG22-SG25			
<b>LIN</b>	- M	1 - Item position			
Function: To identify a line item and configuration					
EDIFACT			EAN		
Tag	Name	St/Format	St	*	Usage
1082	Line item identifier	C an..6	<b>C</b>		
1229	Action request/notification description code	C an..3	<b>N</b>		
C212	ITEM NUMBER IDENTIFICATION	C	<b>D</b>		
7140	Item identifier	C an..35	<b>M</b>		
7143	Item type identification code	C an..3	<b>M</b>		SRV = EAN.UCC Global Trade Item Number
Segment Notes: Example: LIN+1+++9876543210982:SRV'					

\* = Restricted Codes

St = Status  
EDIFACT: M=Mandatory, C=Conditional  
User specific: R=Required, O=Optional, D=Dependent,  
A=Advised, N=Not used, X=Not used

**Segment Details**

Segment number: 42

<b>SG10</b>	- C	9999 - CPS-SG11-SG17	
<b>SG17</b>	- C	9999 - LIN-PIA-IMD-MEA-QTY-SG18-SG22-SG25	
<b>PIA</b>	- C	10 - Supplier part number	
Function:			
To specify additional or substitutional item identification codes			
EDIFACT		EAN	
Tag	Name	St/Format	St * Usage
4347	Product identifier code qualifier	M an..3	<b>M</b> 5 = <b>Product identification</b>
C212	ITEM NUMBER IDENTIFICATION	M	<b>M</b>
7140	Item identifier	C an..35	<b>C</b>
7143	Item type identification code	C an..3	<b>C</b> SA = <b>Supplier's article number</b>
1131	Code list identification code	C an..17	<b>N</b>
3055	Code list responsible agency code	C an..3	<b>C</b> 91 = <b>Assigned by supplier or supplier's agent</b>
Segment Notes:			
This segment is only used if there is no GTIN in the LIN segment. It must then immediately follow the LIN segment. In this case, the LIN segment only contains the position number. The article is identified with the supplier's article number in the PIA segment, DE 4347 must be set to 5 for the primary identification. Only if there is no GTIN in the LIN: Article identification in the PIA			
Example:			
PIA+5+SU IDENT 1234:SA::91'			

\* = Restricted Codes

St = Status

EDIFACT: M=Mandatory, C=Conditional

User specific: R=Required, O=Optional, D=Dependent,

A=Advised, N=Not used, X=Not used

**Segment Details**

Segment number: 43

<b>SG10</b>	- C	9999 - CPS-SG11-SG17			
<b>SG17</b>	- C	9999 - LIN-PIA-IMD-MEA-QTY-SG18-SG22-SG25			
<b>PIA</b>	- C	10 - Supplier article number (secondary identification)			
Function: Supplier article number (additional information on the GTIN)					
EDIFACT			EAN		
Tag	Name	St/Format	St	*	Usage
4347	Product identifier code qualifier	M an..3	<b>M</b>		1 = <b>Additional identification</b>
C212	ITEM NUMBER IDENTIFICATION	M	<b>M</b>		
7140	Item identifier	C an..35	<b>C</b>		
7143	Item type identification code	C an..3	<b>C</b>		SA = <b>Supplier's article number</b>
1131	Code list identification code	C an..17	<b>N</b>		
3055	Code list responsible agency code	C an..3	<b>C</b>		91 = <b>Assigned by supplier or supplier's agent</b>
Segment Notes: Example: PIA+1+SU ARTNO 5678:SA::91'					

\* = Restricted Codes

St = Status  
EDIFACT: M=Mandatory, C=Conditional  
User specific: R=Required, O=Optional, D=Dependent,  
A=Advised, N=Not used, X=Not used

**Segment Details**

Segment number: 44

<b>SG10</b>	- C	9999	- CPS-SG11-SG17	
<b>SG17</b>	- C	9999	- LIN-PIA-IMD-MEA-QTY-SG18-SG22-SG25	
<b>PIA</b>	- C	10	- Promotional goods	
Function:				
To specify additional or substitutional item identification codes				
EDIFACT			EAN	
Tag	Name	St/Format	St	* Usage
4347	Product identifier code qualifier	M an..3	<b>M</b>	1 = <b>Additional identification</b>
C212	ITEM NUMBER IDENTIFICATION	M	<b>M</b>	
7140	Item identifier	C an..35	<b>C</b>	
7143	Item type identification code	C an..3	<b>C</b>	PV = <b>Promotional variant number</b>
1131	Code list identification code	C an..17	<b>N</b>	
3055	Code list responsible agency code	C an..3	<b>C</b>	9 = <b>EAN (International Article Numbering association)</b> 91 = <b>Assigned by supplier or supplier's agent</b> 92 = <b>Assigned by buyer or buyer's agent</b>
Segment Notes:				
Example: PIA+1+AKTION12:PV::91'				

\* = Restricted Codes

St = Status

EDIFACT: M=Mandatory, C=Conditional

User specific: R=Required, O=Optional, D=Dependent,

A=Advised, N=Not used, X=Not used

**Segment Details**

Segment number: 45

<b>SG10</b>	- C	9999 - CPS-SG11-SG17			
<b>SG17</b>	- C	9999 - LIN-PIA-IMD-MEA-QTY-SG18-SG22-SG25			
<b>PIA</b>	- C	10 - Batch number			
Function:					
To specify additional or substitutional item identification codes					
EDIFACT			EAN		
Tag	Name	St/Format	St	*	Usage
4347	Product identifier code qualifier	M an..3	<b>M</b>		1 = <b>Additional identification</b>
C212	ITEM NUMBER IDENTIFICATION	M	<b>M</b>		
7140	Item identifier	C an..35	<b>C</b>		
7143	Item type identification code	C an..3	<b>C</b>		NB = <b>Batch number</b>
1131	Code list identification code	C an..17	<b>N</b>		
3055	Code list responsible agency code	C an..3	<b>C</b>		91 = <b>Assigned by supplier or supplier's agent</b>
Segment Notes:					
Example:					
PIA+1+BAT987:NB::91'					

\* = Restricted Codes

St = Status

EDIFACT: M=Mandatory, C=Conditional

User specific: R=Required, O=Optional, D=Dependent,

A=Advised, N=Not used, X=Not used



**Segment Details**

Segment number: 46

<b>SG10</b>	- C	9999	- CPS-SG11-SG17	
<b>SG17</b>	- C	9999	- LIN-PIA-IMD-MEA-QTY-SG18-SG22-SG25	
<b>IMD</b>	- C	25	- Product/ service description (free text)	
Function:				
To describe an item in either an industry or free format				
EDIFACT			EAN	
Tag	Name	St/Format	St	* Usage
7077	Description format code	C an..3	<b>C</b>	F = <b>Free-form</b>
C272	ITEM CHARACTERISTIC	C	<b>N</b>	
7081	Item characteristic code	C an..3	<b>N</b>	
C273	ITEM DESCRIPTION	C	<b>C</b>	
7009	Item description code	C an..17	<b>N</b>	
1131	Code list identification code	C an..17	<b>N</b>	
3055	Code list responsible agency code	C an..3	<b>N</b>	
7008	Item description	C an..256	<b>C</b>	
Segment Notes:				
Example:				
IMD+F++:::Textzeile 1'				

\* = Restricted Codes

St = Status

EDIFACT: M=Mandatory, C=Conditional

User specific: R=Required, O=Optional, D=Dependent,

A=Advised, N=Not used, X=Not used

**Segment Details**

Segment number: 47

<b>SG10</b>	- C	9999 - CPS-SG11-SG17	
<b>SG17</b>	- C	9999 - LIN-PIA-IMD-MEA-QTY-SG18-SG22-SG25	
<b>MEA</b>	- D	10 - Weights	
Function:			
To specify physical measurements, including dimension tolerances, weights and counts			
EDIFACT		EAN	
Tag	Name	St/Format	St * Usage
6311	Measurement purpose code qualifier	M an..3	<b>M</b> PD = Physical dimensions (product ordered)
C502	MEASUREMENT DETAILS	C	<b>C</b>
6313	Measured attribute code	C an..3	<b>C</b> AAA = Unit net weight AAB = Unit gross weight
C174	VALUE/RANGE	C	<b>C</b>
6411	Measurement unit code	M an..3	<b>M</b> KGM = kilogram TNE = tonne (metric ton)
6314	Measurement value	C an..18	<b>C</b>
Segment Notes:			
Weight information (gross and net weight) must be sent when a weight-variable item is notified.			
Example:			
MEA+PD+AAA+KGM:4'			
MEA+PD+AAB+KGM:4'			

\* = Restricted Codes

St = Status

EDIFACT: M=Mandatory, C=Conditional

User specific: R=Required, O=Optional, D=Dependent,

A=Advised, N=Not used, X=Not used

**Segment Details**

Segment number: 48

<b>SG10</b>	- C	9999 - CPS-SG11-SG17	
<b>SG17</b>	- C	9999 - LIN-PIA-IMD-MEA-QTY-SG18-SG22-SG25	
<b>MEA</b>	- C	10 - Dimensions	
Function:			
To specify physical measurements, including dimension tolerances, weights and counts			
EDIFACT		EAN	
Tag	Name	St/Format	St * Usage
6311	Measurement purpose code qualifier	M an..3	<b>M</b> PD = Physical dimensions (product ordered)
C502	MEASUREMENT DETAILS	C	<b>C</b>
6313	Measured attribute code	C an..3	<b>C</b> HT = Height dimension WD = Width dimension LN = Length dimension
C174	VALUE/RANGE	C	<b>C</b>
6411	Measurement unit code	M an..3	<b>M</b> MMT = millimetre CMT = centimetre MTR = metre
6314	Measurement value	C an..18	<b>C</b>
Segment Notes:			
Example:			
MEA+PD+HT+CMT:4'			
MEA+PD+WD+CMT:4'			
MEA+PD+LN+MMT:40'			

\* = Restricted Codes

St = Status

EDIFACT: M=Mandatory, C=Conditional

User specific: R=Required, O=Optional, D=Dependent,

A=Advised, N=Not used, X=Not used

**Segment Details**

Segment number: 49

<b>SG10</b>	- C	9999 - CPS-SG11-SG17	
<b>SG17</b>	- C	9999 - LIN-PIA-IMD-MEA-QTY-SG18-SG22-SG25	
<b>MEA</b>	- C	10 - Volume	
Function:			
To specify physical measurements, including dimension tolerances, weights and counts			
EDIFACT		EAN	
Tag	Name	St/Format	St * Usage
6311	Measurement purpose code qualifier	M an..3	<b>M</b> PD = Physical dimensions (product ordered)
C502	MEASUREMENT DETAILS	C	<b>C</b>
6313	Measured attribute code	C an..3	<b>C</b> AAW = Gross volume
C174	VALUE/RANGE	C	<b>C</b>
6411	Measurement unit code	M an..3	<b>M</b> LTR = litre MTQ = cubic metre
6314	Measurement value	C an..18	<b>C</b>
Segment Notes:			
Example:			
MEA+PD+AAW+LTR:2'			

\* = Restricted Codes

St = Status

EDIFACT: M=Mandatory, C=Conditional

User specific: R=Required, O=Optional, D=Dependent,

A=Advised, N=Not used, X=Not used

**Segment Details**

Segment number: 50

<b>SG10</b>	- C	9999 - CPS-SG11-SG17	
<b>SG17</b>	- C	9999 - LIN-PIA-IMD-MEA-QTY-SG18-SG22-SG25	
<b>QTY</b>	- C	10 - Quantity	
Function: To specify a pertinent quantity			
EDIFACT		EAN	
Tag	Name	St/Format	St * Usage
C186	QUANTITY DETAILS	M	<b>M</b>
6063	Quantity type code qualifier	M an..3	<b>M</b> 12 = Despatch quantity 21 = Ordered quantity 192 = Free goods quantity
6060	Quantity	M an..35	<b>M</b>
6411	Measurement unit code	C an..3	<b>C</b> KGM = kilogram PCE = Piece (EAN Code)
Segment Notes:			
Example: QTY+12:5' QTY+21:9' QTY+192:3'			
Weight items:			
A weight item (a so-called "weight variable item") is an item with the base unit of measure kilogram.			
e.g. 1 pack of apples with approx. 1 kg			
An equalized weight item ("equalized" / "calibrated" / "dual piece or weight item") is also an item that contains "kilogram" in the text description, but whose base unit of measure is piece.			
e.g. 1 pack of 500g sugar			
When specifying weight items (also equalized weight items), the number of packaging units (e.g. boxes) must be specified here.			

\* = Restricted Codes

St = Status

EDIFACT: M=Mandatory, C=Conditional

User specific: R=Required, O=Optional, D=Dependent,

A=Advised, N=Not used, X=Not used

**Segment Details**

Segment number: 51

<b>SG10</b>	- C	9999	- CPS-SG11-SG17	
<b>SG17</b>	- C	9999	- LIN-PIA-IMD-MEA-QTY-SG18-SG22-SG25	
<b>SG18</b>	- C	99	- RFF	
<b>RFF</b>	- M	1	- Order / order number (buyer)	
Function:				
To specify a reference				
EDIFACT			EAN	
Tag	Name	St/Format	St	* Usage
C506	REFERENCE	M	<b>M</b>	
1153	Reference code qualifier	M an..3	<b>M</b>	ON = Order number (buyer) UC = Ultimate customer's reference number XA = Company/place registration number LI = Line item reference number
1154	Reference identifier	C an..70	<b>M</b>	
1156	Document line identifier	C an..6	<b>C</b>	
Segment Notes:				
For orders in connection with our Fruchtkontor, we expect the line number (from the order) to be given in the RFF + LI.				
Example:				
RFF+UC:7001:4711'				
RFF+ON:4811:7'				
RFF+XA:WEEE DE 12345678'				
RFF+LI::1'				

\* = Restricted Codes

St = Status

EDIFACT: M=Mandatory, C=Conditional

User specific: R=Required, O=Optional, D=Dependent,

A=Advised, N=Not used, X=Not used

**Segment Details**

Segment number: 52

<b>SG10</b>	- C	9999 - CPS-SG11-SG17	
<b>SG17</b>	- C	9999 - LIN-PIA-IMD-MEA-QTY-SG18-SG22-SG25	
<b>SG22</b>	- C	9999 - PCI-DTM-SG23	
<b>PCI</b>	- M	1 - Package identification	
Function:			
To specify markings and labels on individual packages or physical units.			
EDIFACT		EAN	
Tag	Name	St/Format	St * Usage
4233	Marking instructions code	C an..3	<b>C</b> 16 = Buyer's instructions 17 = Supplier's instructions 34E = Marked with EAN/UPC number (EAN Code) 36E = Marked with batch number (EAN Code) 39E = Marked with best before date (EAN Code)
C210	MARKS & LABELS	C	<b>C</b>
7102	Shipping marks description	M an..35	<b>M</b>
Segment Notes:			
Example: PCI+16+Code:Descr' PCI+17'			

\* = Restricted Codes

St = Status  
EDIFACT: M=Mandatory, C=Conditional  
User specific: R=Required, O=Optional, D=Dependent,  
A=Advised, N=Not used, X=Not used

**Segment Details**

Segment number: 53

<b>SG10</b>	- C	9999 - CPS-SG11-SG17			
<b>SG17</b>	- C	9999 - LIN-PIA-IMD-MEA-QTY-SG18-SG22-SG25			
<b>SG22</b>	- C	9999 - PCI-DTM-SG23			
<b>DTM</b>	- C	5 - best-before date			
Function:					
To specify date, and/or time, or period					
EDIFACT			EAN		
Tag	Name	St/Format	St	*	Usage
C507	DATE/TIME/PERIOD	M	<b>M</b>		
2005	Date or time or period function code qualifier	M an..3	<b>M</b>		361 = <b>Best before date</b>
2380	Date or time or period value	C an..35	<b>C</b>		
2379	Date or time or period format code	C an..3	<b>C</b>		102 = <b>CCYYMMDD</b>
Segment Notes:					
Example:					
DTM+361:20200704:102'					

\* = Restricted Codes

St = Status  
 EDIFACT: M=Mandatory, C=Conditional  
 User specific: R=Required, O=Optional, D=Dependent,  
 A=Advised, N=Not used, X=Not used



**Segment Details**

Segment number: 54

<b>SG10</b>	- C	9999 - CPS-SG11-SG17			
<b>SG17</b>	- C	9999 - LIN-PIA-IMD-MEA-QTY-SG18-SG22-SG25			
<b>SG22</b>	- C	9999 - PCI-DTM-SG23			
<b>SG23</b>	- C	10 - GIN			
<b>GIN</b>	- M	1 - Serial number / batch number			
Function:					
To give specific identification numbers, either as single numbers or ranges					
EDIFACT			EAN		
Tag	Name	St/Format	St	*	Usage
7405	Object identification code qualifier	M an..3	<b>M</b>		BN = <b>Serial number</b> BX = <b>Batch number</b>
C208	IDENTITY NUMBER RANGE	M	<b>M</b>		
7402	Object identifier	M an..35	<b>M</b>		
Segment Notes:					
Example: GIN+BX+BATCH 01'					

\* = Restricted Codes

St = Status  
EDIFACT: M=Mandatory, C=Conditional  
User specific: R=Required, O=Optional, D=Dependent,  
A=Advised, N=Not used, X=Not used

**Segment Details**

Segment number: 55

<b>SG10</b>	- C	9999 - CPS-SG11-SG17	
<b>SG17</b>	- C	9999 - LIN-PIA-IMD-MEA-QTY-SG18-SG22-SG25	
<b>SG25</b>	- C	10 - QVR	
<b>QVR</b>	- M	1 - Quantity variances	
Function:			
To specify item details relating to quantity variances			
EDIFACT		EAN	
Tag	Name	St/Format	St * Usage
C279	QUANTITY DIFFERENCE INFORMATION	C	<b>C</b>
6064	Quantity variance value	M n..15	<b>M</b>
6063	Quantity type code qualifier	C an..3	<b>C</b> 21 = <b>Ordered quantity</b>
4221	Discrepancy nature identification code	C an..3	<b>C</b> AC = <b>Over-shipped</b> BP = <b>Shipment partial - back order to follow</b> CP = <b>Shipment partial - considered complete, no backorder</b>
Segment Notes:			
Example: QVR+-4:21+BP'			

\* = Restricted Codes

St = Status

EDIFACT: M=Mandatory, C=Conditional

User specific: R=Required, O=Optional, D=Dependent,

A=Advised, N=Not used, X=Not used

**Segment Details**

---

Segment number: 56

<b>UNT</b> - M 1 - Message trailer					
Function: To end and check the completeness of a message					
EDIFACT			EAN		
Tag	Name	St/Format	St	*	Usage
0074	Number of segments in the message	M n..6	<b>M</b>		
0062	Message reference number	M an..14	<b>M</b>		
Segment Notes: Example: UNT+54+9876'					

\* = Restricted Codes

St = Status

EDIFACT: M=Mandatory, C=Conditional

User specific: R=Required, O=Optional, D=Dependent,

A=Advised, N=Not used, X=Not used

**Segment Details**

Segment number: 57

<b>UNZ</b> - M 1 - Interchange trailer					
Function: To end and check the completeness of a message					
EDIFACT			EAN		
Tag	Name	St/Format	St	*	Usage
0036	Interchange control count	M n..6	<b>M</b>		
0020	Interchange control reference	M an..14	<b>M</b>		
Segment Notes: Example: UNZ+1+1234'					

\* = Restricted Codes

St = Status

EDIFACT: M=Mandatory, C=Conditional

User specific: R=Required, O=Optional, D=Dependent,

A=Advised, N=Not used, X=Not used

## Sample message

No	Tag	Example
01	UNA	UNA:+.? '
02	UNB	UNB+UNOC:3+SUPPLIER:14+4311501990018:14+200622:1536+1234+++++1'
03	UNH	UNH+9876+DESADV:D:01B:UN:EAN007'
04	BGM	BGM+351+87441+9' BGM+YA5+87441+9' BGM+YA6+87441+9' BGM+YA7+87441+9'
05	DTM	DTM+137:20200622:102'
06	DTM	DTM+2:20200623:102' DTM+2:202006231500:203'
07	DTM	DTM+17:20200623:102' DTM+17:202006231500:203'
	SG1	
08	RFF	RFF+ON:4711'
	SG1	
09	RFF	RFF+VN:4712'
	SG1	
10	RFF	RFF+DQ:4714'
	SG1	
11	RFF	RFF+AAN:4715'
	SG1	
12	RFF	RFF+AAQ:4716'
	SG2	
13	NAD	NAD+BY+4311560000000::9'
	SG2	
14	NAD	NAD+IV+4311560000000::9'
	SG2	
15	NAD	NAD+PW+4033988000003::9'
	SG2	
16	NAD	NAD+DP+4314319998306::9+++Name 1:Name 2:Name 3:Name 4+Strasse 1:Strasse 2: Strasse 3+Ort++12345+DE' NAD+DP+4314319998306::9+++Name 1:Name 2:Name 3:Name 4+Street 1:Street 2:Street 3+City++12345+DE'
	SG2	
17	NAD	NAD+UC+4314318578080::9+++Name 1:Name 2:Name 3:Name 4+Strasse 1:Strasse 2: Strasse 3+Ort++12345+DE' NAD+UC+4314319998306::9+++Name 1:Name 2:Name 3:Name 4+Street 1:Street 2:Street 3+City++12345+DE'
	SG2	
18	NAD	NAD+SU+4398465213564::9'
	SG2	
19	NAD	NAD+FW+4033988000003::9'
	SG8	
20	EQD	EQD+UL'
21	MEA	MEA+PD+AAW+LTR:100'
22	SEL	SEL+SEAL+SH'
	SG10	
23	CPS	CPS+1'
	SG11	
24	PAC	PAC+1++201::9'

No = Consecutive segment number

## Sample message

No	Tag	Example
25	MEA	MEA+PD+AAA+KGM:10' MEA+PD+AAD+KGM:10' MEA+PD+AAB+KGM:11' MEA+PD+AAW+LTR:1.5'
	SG13	
26	PCI	PCI+33E'
	SG15	
27	GIN	GIN+BJ+345678901234567895:345678901234567901'
	SG13	
28	PCI	PCI+IEN+123456789012345678'
	SG10	
29	CPS	CPS+2+1'
	SG11	
30	PAC	PAC+1++201::9'
31	MEA	MEA+PD+AAA+KGM:20' MEA+PD+AAB+KGM:22' MEA+PD+AAW+MTQ:0.5' MEA+PD+HT+MMT:150'
	SG13	
32	PCI	PCI+33E'
	SG13	
33	PCI	PCI+17'
	SG15	
34	GIN	GIN+BJ+345678901234567918' GIN+DB+98765432123456789' GIN+BN+47110815' GIN+BX+202006221234'
	SG15	
35	GIN	GIN+SRV+48120916'
	SG10	
36	CPS	CPS+3+2'
	SG11	
37	PAC	PAC+1++201::9'
38	MEA	MEA+PD+AAA+KGM:5' MEA+PD+AAB+KGM:5.5' MEA+PD+AAW+MTQ:0.5' MEA+PD+HT+MMT:1050'
	SG13	
39	PCI	PCI+17' PCI+33E'
	SG15	
40	GIN	GIN+BJ+987654321987654321' GIN+DB+98765432123456789' GIN+BN+47110815' GIN+BX+202006221234' GIN+SRV+48120916'
	SG17	
41	LIN	LIN+1++9876543210982:SRV'
42	PIA	PIA+5+SU IDENT 1234:SA::91'
43	PIA	PIA+1+SU ARTNO 5678:SA::91'
44	PIA	PIA+1+AKTION12:PV::91'
45	PIA	PIA+1+BAT987:NB::91'
46	IMD	IMD+F+:::Textzeile 1'

No = Consecutive segment number

**Sample message**

No	Tag	Example
47	MEA	MEA+PD+AAA+KGM:4' MEA+PD+AAB+KGM:4'
48	MEA	MEA+PD+HT+CMT:4' MEA+PD+WD+CMT:4' MEA+PD+LN+MMT:40'
49	MEA	MEA+PD+AAW+LTR:2'
50	QTY	QTY+12:5' QTY+21:9' QTY+192:3'
	SG18	
51	RFF	RFF+UC:7001:4711' RFF+ON:4811:7' RFF+XA:WEEE DE 12345678' RFF+LI::1'
	SG22	
52	PCI	PCI+16+Code:Descr' PCI+17'
53	DTM	DTM+361:20200704:102'
	SG23	
54	GIN	GIN+BX+BATCH 01'
	SG25	
55	QVR	QVR+-4:21+BP'
56	UNT	UNT+54+9876'
57	UNZ	UNZ+1+1234'

No = Consecutive segment number